




Product Manual


PVS-166/175-TL-US

(166.5 to 185 kW)

IMPORTANT SAFETY INSTRUCTIONS.

 **ATTENTION** – This manual contains important safety instructions that must be followed during the installation and maintenance of the equipment.

SAVE THESE INSTRUCTIONS!


 **NOTE** – Keep this document in a safe place near the inverter for easy access during installation, operation and maintenance.


The installer must read this document in its entirety before installing this equipment.

Operators are required to read this manual and scrupulously follow the instructions given in it, since FIMER cannot be held responsible for damage caused to people and/or things, or the equipment, if the conditions described below are not observed.

The purpose of this document is to support the qualified technician, who has received training and/or has demonstrated skills and knowledge in construction, to install, operate and maintain the inverter. This manual covers only inverter, not any equipment (photovoltaic modules, external disconnects, etc) to which it is connected.

Warranty requirements are included in the Terms and Conditions of sale included with the inverter order.

 **NOTE** – Any changes made to the product or to the installation conditions that hasn't been approved by FIMER will void the warranty.

 **NOTE** – All pictures and illustrations shown in this user manual are indicatives and must be intended as support for installation instruction only. Actual product may vary due to product enhancement. Specifications subject to change without notice. The latest version of this document is available on the FIMER website.

The products are designed to be connected to and to communicate information and data via a network interface. It is the user's sole responsibility to provide and continuously ensure a secure connection between the product and the user's network or any other network (as the case may be). The user shall establish and maintain any appropriate measures (such as but not limited to the installation of firewalls, application of authentication measures, encryption of data, installation of anti-virus programs, etc) to protect the product, the network, its system and the interface against any kind of security breaches, unauthorized access, interference, intrusion, leakage and/or theft of data or information. FIMER and its affiliates are not liable for damages and/or losses related to such security breaches, any unauthorized access, interference, intrusion, leakage and/or theft of data or information. The data, examples and diagrams in this manual are included solely for the concept or product description and are not to be deemed as a statement of guaranteed properties.

All persons responsible for applying the equipment addressed in this manual must satisfy themselves that each intended application is suitable and acceptable, including that any applicable safety or other operational requirements are complied with. In particular, any risks in applications where a system failure and/or product failure would create a risk for harm to property or persons (including but not limited to personal injuries or death) shall be the sole responsibility of the person or entity applying the equipment, and those so responsible are hereby requested to ensure that all measures are taken to exclude or mitigate such risks. This document has been carefully checked by FIMER but deviations cannot be completely ruled out. In case any errors are detected, the reader is kindly requested to notify the manufacturer. Other than under explicit contractual commitments, in no event shall FIMER be responsible or liable for any loss or damage resulting from the use of this manual or the application of the equipment.

FCC REMARKS

This device complies with part 15 of the FCC Rules.

Operation is subject to the following two conditions:

- (1) This device may not cause harmful interference, and
- (2) this device must accept any interference received, including interference that may cause undesired operation.

Note:

This equipment has been tested and found to comply with the limits for a Class A digital device, pursuant to part 15 of the FCC Rules.

These limits are designed to provide reasonable protection against harmful interference when the equipment is operated in a commercial environment.

This equipment generates, uses, and can radiate radio frequency energy and, if not installed and used in accordance with the instruction manual, may cause harmful interference to radio communications. Operation of this equipment in a residential area is likely to cause harmful interference in which case the user will be required to correct the interference at his own expense.

Table of contents

1. Safety and accident prevention

1.1 Safety information and instructions	8
1.2 Symbols and signs	9
1.3 Installation and maintenance safety	10
1.3.1 General safety information	10
1.3.2 Environmental conditions and risks	10
1.3.3 Electrical and thermal safety.....	11
1.3.4 Clothing and protection of personnel	11
1.4 Residual risks	12

2. Introduction and general information

2.1 Warranty and supply conditions	13
2.1.1 Not included in the supply.....	13
2.2 Scope and target audience	14
2.2.1 Purpose and document structure.....	14
2.2.2 List of appendix documents	14
2.2.3 Operator and maintenance personnel skills/prerequisites	14
2.3 Application area, general conditions	15
2.3.1 Intended or allowed use	15
2.3.2 Limits in field of use	15
2.3.3 Improper or prohibited use.....	15

3. Characteristics

3.1 General conditions	16
3.2 Equipment identification and manufacturer	17
3.2.1 Regulatory label	17
3.2.2 Inverter identification label	18
3.2.3 Communication Identification label:	18
3.3 Models and range of equipment	19
3.4 Component reference designators	20
3.5 Characteristics and technical data	23
3.5.1 Technical data and types	23
3.5.2 Tightening torques	25
3.5.3 Overall dimensions of the inverter	26
3.5.4 Overall dimensions of the mounting bracket.....	26
3.6 Efficiency curves	27
3.6.1 PVS-175-TL-US - Efficiency Vs Nominal Power.....	27
3.6.2 PVS-175-TL-US - Efficiency Vs MPP Voltage.....	27
3.7 Power derating	28
3.7.1 Power derating due to environmental conditions.....	28
3.7.2 Power derating due to the input voltage.....	28

3.8 P-Q Capability	29
3.9 Characteristics of a photovoltaic generator.....	30
3.10 Description of the equipment	31
3.10.1 Operating diagram (example)	31
3.10.2 Mutual connection of multiple inverters.....	31
3.10.3 Notes on the system sizing.....	32
3.11 Functionality and components of the equipment	33
3.11.1 Highlights.....	33
3.11.2 Improved commissioning and maintenance	33
3.11.3 Aurora Vision Plant Management Platform	33
3.11.4 Configurable relays.....	34
3.11.5 Remote switch-on/switch-off.....	34
3.11.6 Reactive power feed into the grid	34
3.11.7 Limiting the active power fed into the grid.....	34
3.11.8 Overvoltage surge arrester monitoring(-SX/SX2 models only)	35
3.11.9 Data transmission and control	35
3.12 Communication connection diagrams	35
3.12.1 Communication interface.....	35
3.12.2 Ethernet bus connection.....	35
3.13 Topographic diagram of the equipment	36
3.14 Safety devices	38
3.14.1 Anti-Islanding	38
3.14.2 Ground fault of the photovoltaic panels	38
3.14.3 Overvoltage surge arresters.....	38
3.14.4 Other safeguards.....	38

4. Lifting and transport

4.1 General conditions	39
4.1.1 Transport and handling	39
4.1.2 Equipment weight.....	39
4.1.3 Storage	39
4.1.4 Unpacking and checking	40
4.1.5 Lifting.....	40
4.1.6 List of supplied components.....	42
4.1.7 Kit of recommended spare parts	43

5. Installation

5.1 Installation warnings	44
5.2 Installation planning.....	45
5.2.1 Characteristics of the protective grounding cable	45
5.2.2 Load protection breaker and RCD downstream of the inverter	45
5.2.3 Characteristics and sizing of the line cable.....	46
5.2.4 Sizing the configurable relay (ALARM and AUX).....	46
5.2.5 Installation procedure for quick-fit connectors	46
5.3 Installation site and position	48
5.3.1 General recommendation on installation position	48
5.3.2 Tilting allowance	48
5.3.3 Distances	48
5.3.4 Installation of multiple units.....	50

5.3.5	Wireless signal environmental checks	51
5.3.6	Installations above 2000 metres	51
5.3.7	Installations with a high level of humidity	51
5.4	Installations of IP65 protection covers for wiring box openings (long term installation)	52
5.5	Mounting Instruction	53
5.5.1	Bracket (03) assembly	53
5.5.2	Assembly of inverter to the bracket.....	54
5.5.3	Opening the Wiring box cover	55
5.5.4	Final fastening operations	56
5.5.5	Opening the Power module cover	56
5.5.6	Connection of the AC interface power cables	57
5.5.7	Connection of the interface signal connectors.....	58
5.5.8	Connection of the DC and AFD interface cables	58
5.6	Routing the cable to the inverter	60
5.7	Grid output connection (AC side)	61
5.8	Checking the correct polarity of the strings and Input connection (DC)	63
5.9	Connection of the communication and control signals	65
5.9.1	Communication and control board (28) references	65
5.9.2	Connections to the communication and control board	66
5.9.3	Ethernet connection	66
5.9.4	Serial communication connection (RS485 - Slave mode).....	68
5.9.5	Serial communication connection (RS485 - Master mode).....	71
5.9.6	Remote control connection	71
5.9.7	Multifunction Relay connection (ALARM and AUX).....	72

6. Instruments

6.1	General conditions	73
6.2	Description of the LED panel	73
6.3	User interface	74
6.3.1	FIMER Installer for Solar Inverters	74
6.3.2	Embedded Web User Interface	74
6.3.3	Aurora Vision Plant Management Platform	74
6.4	Arc fault reset button	74
6.5	Monitoring and data transmission	75
6.5.1	User interface	75
6.5.2	Measurement tolerance	75

7. Operation

7.1	General conditions	76
7.2	Commissioning	76
7.2.1	Commissioning via Installer for Solar Inverters mobile APP	77
7.2.2	Commissioning Via Web UI - Wireless connection	81
7.3	LEDs behaviour	86
7.4	Arc fault detection	88
7.5	Grid support functions and Voltage & Frequency trip limits	88
7.6	Connection to Web User Interface	90

7.6.1 Access to the Web User Interface	90
7.6.2 Web UI - Login page	91
7.7 Web User Interface menu structure	91
7.7.1 MAIN menu	92
7.7.2 SETTINGS menu.....	92
7.7.3 INVERTER LOG menu.....	97
7.7.4 USER menu.....	97
7.7.5 CONNECTIVITY menu.....	98
7.7.6 SERVICE TOOLS menu.....	102
7.7.7 INFORMATION menu.....	104

8. Maintenance

8.1 General conditions	105
8.2 Inverter total de-energization and safe access	105
8.2.1 Operator and maintenance personnel skills/prerequisites	106
8.2.2 Clothing and protection of personnel.....	106
8.2.3 Safety equipment and tools	106
8.2.4 Inverter total de-energization and safe access procedure	107
8.3 Routine maintenance	119
8.3.1 Recommended replacement intervals of components.....	119
8.4 Replacing of fan sections	119
8.4.1 Replacing of the side fan section	120
8.4.2 Replacing of the top fan section	121
8.4.3 Replacing the internal fan section.....	122
8.5 Replacing the DC surge arrester cartridge	123
8.6 Replacing the AC surge arrester cartridge	124
8.7 Replacement of the MEMORY board	125
8.8 Replacement of the COMM RS485 board	126
8.9 Replacement of the buffer battery	127
8.10 Procedure for dismantling the equipment	128
8.11 Troubleshooting	130
8.11.1 Web User Interface and wireless communication troubleshooting.....	130
8.11.2 Alarm Messages of the Inverter	132
8.11.3 Power limitation messages	140
8.12 “Registration website” and “Admin Plus token”	141
8.13 Verification of ground leakage	143
8.13.1 Behaviour of a system without leakage	143
8.13.2 Behaviour of a system with leakage.....	144
8.14 Measuring the isolation resistance of the PV generator	145
8.15 Storage and dismantling	146
8.15.1 Storage of the equipment or prolonged stop	146
8.15.2 Dismantling, decommissioning and disposal	146

9. Attachments

9.1 Port and network services used by the inverter	147
9.1.1 IP Network Services	147
9.1.2 Network Hosts.....	148
9.1.3 Inverter network configuration.....	148

1. *Safety and accident prevention*

1

1.1 Safety information and instructions

This chapter contains the safety instructions which you must obey when you install and operate the inverter and perform maintenance operations on the inverter. Obey these safety instructions to prevent injury or death, or damage to the equipment.

The instructions provided in the manual do not replace the safety devices and technical data for installation and operation labels on the product, and they do not replace the safety regulations in force in the country of installation.

The operators must read and comply with the technical information and instruction provided in the manual and in the attached documentation.

FIMER accepts no liability for failure to comply with the instructions for correct installation and cannot be held responsible for the upstream or downstream equipment.

Specific safety information are provided during installation, commissioning and maintenance operation instructions. Always follow the reading order of instruction exactly as described in this manual.

1.2 Symbols and signs

In the manual and/or in some cases on the equipment, the danger or hazard zones are indicated with signs, labels, symbols or icons.

Symbol	Description
	Note - General information about product
	General warning - Important safety information. Indicates a potentially hazardous situation which, if not avoided, could result in death or serious injury.
	Dangerous Voltage - Indicates a potentially hazardous situation, in particular a high voltage, which, if not avoided, could result in death or serious injury. The inverter has high voltages and energy levels.
	Hot parts - Indicates a potentially hazardous situation, in particular a hot surface, which, if not avoided, could result in death or serious injury. Some surfaces in the inverter will become hot during operation and must not be touched until the parts have cooled down.
	Risk of injury due to the weight of the equipment. Take care during lifting and transport
	Indicates that the area in question must not be accessed or that the operation described must not be carried out.
	Keep out of the reach of children
	Indicates that it is mandatory to carry out the described operations using the clothing and/or personal protective equipment provided by the employer.
	Point of connection for protective earth.
	Rated temperature range.
	Risk of electric shock. The discharge time (quantified in the figure by the number XX) of the stored energy after de-energizing of the Inverter from both DC side and AC side. Warning! Refer to the dedicated procedures in the Instruction Manual before accessing to active parts inside the Inverter.
	Direct Current
	Alternate current
	Without isolation transformer
	Positive pole of the input voltage (DC)
	Negative pole of the input voltage (DC)
	Indicates the center of gravity of the equipment.
	Indicates the requirement to wear acoustic protection devices in order to prevent damage to hearing

1.3 Installation and maintenance safety

1.3.1 General safety information


- ⚠ ATTENTION** – Do not proceed with installation if the integrity of the equipment is compromised. Do not use the equipment if you find any operating anomalies.
- ⚠ ATTENTION** – Avoid temporary repairs. All repairs should be carried out using only genuine spare parts, which must be installed in accordance with their intended use.
- ⚠ ATTENTION** – The labels affixed on the equipment must strictly NOT be removed, damaged, defaced, hidden, etc. The technical data provided in this manual does not in any case replace that shown on the labels affixed on the equipment.
- ⚠ ATTENTION** – Do not do work on the photovoltaic generator, or the inverter, or its input or output cables, when the inverter is connected to an electrical power system, or to the photovoltaic generator. Before performing any maintenance operation on the inverter, follow this steps:
- Prepare the work: Do an on-site Risk Assessment or Job Hazard Analysis (Check for proper tools and PPE for the Job; Engage the person responsible for electrical equipment or system to review single-line, schematics, switching plans; Decide on the appropriate work methods and initiate the permit to work process).
 - Clearly identify the work location and equipment.
 - Disconnect all sources and Secure against reconnection by means of a 'Lockout/Tagout' procedure to ensure it cannot accidentally become live.
 - Verify the absence of operating voltage (This must be by means of a proper test instrument).
 - Complete the permit to work and "Walk the Permit" (Now we have verified a 'safe working area' it is time to validate the 'Permit to Work' and "Walk the Permit").
- ⚠ ATTENTION** – Refer to "Inverter total de-energization and safe access" paragraph on this manual to know all detailed necessary steps to safely operate on the inverter.

1.3.2 Environmental conditions and risks

- ⚠ ATTENTION** – The device can be installed outdoors, but only in environmental conditions that do not prevent its regular operation. These conditions are listed in the technical data and in the installation chapter.
- ⚠ ATTENTION** – Do not open the front covers of the inverter when it is raining, or when sand or dust can blow into the unit. Water or sand in the inverter can cause damage in the unit. In the risk assessment prior any intervention on the equipment it is of paramount importance to evaluate the weather conditions. Any intervention on the inverter can be done only in case of dry environment. Don't proceed in case of rain (even light) or high humidity.
- ⚠ ATTENTION** – The device is not designed to operate in environments that are particularly inflammable or explosive.
- ⚠ ATTENTION** – In the event of fire, use CO2 extinguishers and auto-extraction systems to extinguish the fire in closed environments.
- ⚠ ATTENTION** – The installer or maintenance technician must always pay attention to the work environment, ensuring that it is well-lit and there is enough room to ensure an escape route.

1.3.3 Electrical and thermal safety

- ⚠ ATTENTION** – Obey these instructions to prevent injury or death, or damage to the equipment. If you are not a qualified electrician, do not perform any electrical installation or maintenance work.
- ⚠ ATTENTION** – Obey all installation safety standards. This can require, among other things, the use of personal protection equipment (PPE), such as arc-proof clothing, arc-proof masks, protective footwear, insulating and protective gloves, eye protection and hearing protection. High power inverter installations have high fault currents.
- ⚠ ATTENTION** – Before you operate on the inverter, isolate the AC line cables from the electrical power system with the AC disconnect switch of the power system transformer (downstream of inverter). Also, isolate the inverter from the photovoltaic generator with the DC disconnect switch of the generator or by other means (upstream of inverter). The internal AC disconnect switch (if present) do not isolate the AC output cables and terminals of the inverter from the electrical power system. The internal DC disconnect switches (if present) do not completely isolate the DC input cables or terminals from the DC voltage supplied by the photovoltaic generator. Refer to “Inverter total de-energization and safe access” paragraph on this manual for further details.
- ⚠ ATTENTION** – Do not work on the communication and control signal cables when power is applied to the inverter or to the external control circuits.
- ⚠ ATTENTION** – Do not perform insulation or voltage withstand tests on the inverter.

- ⚠ WARNING** – FIMER inverters must be earthed via the connection points marked with the protective earth symbol  and using a cable with an appropriate conductor cross-section for the maximum ground fault current that the generating system might experience.
- ⚠ WARNING** – Do not switch-on the inverter with the front covers open, even during troubleshooting. The inverter front covers act as arc hazard protection. If a highly unlikely arc flash incident occurs when the inverter front covers are open, the arc-flash proof protection equipment might not provide sufficient protection for the operators.

- ⚠ HOT SURFACE** – When the device has just been switched off, it may have hot parts as a result of overheating of the heated surfaces (e.g.: transformers, accumulators, coils, etc.) so be careful where you touch.

1.3.4 Clothing and protection of personnel

NFPA - 70E, article 130.5 standard requires the equipment owner to field-label electrical equipment, to protect both in-house and contract workers from electric shock and arc flash, with labels containing the following information:

- Nominal system voltage
- Arc flash boundary
- At least one of the following information:
 - Available incident energy and the corresponding working distance
 - Arc flash PPE category in Table 130.7(C)(15)(a) or Table 130.7(C)(15)(b)

Label requirements are determined by site-specific arc flash studies and depend on the inverter model, types and exact locations of external disconnects upstream and downstream of the inverter, by voltages and power levels at any given installation.

NFPA 70E Article 130.3 states that the analysis must be reviewed at least every 5 years or whenever a major modification occurs. This means that the label should include a date, and the date must be documented.

The system is not ready for commissioning until PPE labels have been installed.

- ⊘ FORBIDDEN** – Personnel must not wear clothes or accessories that could start fires or generate electrostatic charges or, in general, clothing that can compromise personal safety.

1.4 Residual risks

⚠ ATTENTION – Despite the warnings and safety systems, there are still some residual risks that cannot be eliminated.

These risks are listed in the following table with some suggestions to prevent them:

Risk analysis and description	Suggested remedy
Noise pollution due to installation in unsuitable environments or where individuals routinely work and/or animals dwell most of the time.	Reassess the environment or the place of installation.
Suitable local ventilation that does not cause overheating of the equipment and is sufficient not to create discomfort to people in the room.	Restore suitable ambient conditions and air the room.
External weather conditions, water seepage, low temperatures, high humidity, etc.	Maintain ambient conditions suitable for the system.
Overheating of surfaces at temperature (transformers, accumulators, coils, etc.) can cause burns. Also be careful not to block the cooling slits or systems of the equipment.	Use suitable PPE. Wait for the parts to cool down before opening the inverter. Do not restrict cooling openings or heatsinks.
Inadequate cleaning compromises cooling and does not allow the safety labels to be read.	Clean the equipment, labels and work environment
Stored energy in components can generate hazardous discharges.	Ensure components have discharged their energy before working on them.
Inadequate training of staff.	Ask for a supplementary course.
During installation, temporarily mounting the equipment or its components may be risky.	Prevent unauthorized access to the installation area. Use sufficient people and PPE.
Accidental disconnections of the quick-fit connectors with the equipment in operation, or wrong connections, may generate electric arcs	Prevent unauthorized access to the installation area and lock out/tag ou the inverter before working on it.
Use the same brand for the counterparts of the quick-fit connectors installed on the inverter	Mismatched connectors may void the warranty and cause potential damage

2. Introduction and general information

2

2.1 Warranty and supply conditions

The warranty conditions (available on the official FIMER website) are considered to be valid if the Customer adheres to the indications in this manual; any condition deviating from those described herein must be expressly agreed in the purchase order.

NOTE – FIMER declares that the equipment complies with the provisions of law currently in force in the country of installation and has issued the corresponding declaration of conformity.

2.1.1 Not included in the supply

The customer is fully responsible for any changes made to the system.

Given the countless array of system configurations and installation environments possible, it is essential to check the following:

- adequate spaces, suitable for housing the equipment;
- airborne noise produced based on the environment;
- possible flammability conditions.

FIMER will NOT be held liable for defects or malfunctions arising from:

- improper use of the equipment;
- deterioration resulting from transportation or particular environmental conditions;
- performing maintenance incorrectly or not at all;
- tampering or unsafe repairs;
- use or installation by unqualified persons.

FIMER is not responsible for any loss of the equipment, or part of it, which does not take place on the basis of the regulations and laws in force in the country of installation.

FORBIDDEN – FIMER accepts no liability for failure to comply with the instructions for correct installation and will not be held responsible for systems upstream or downstream of the equipment it has supplied. It is absolutely forbidden to modify the equipment. Any modification, manipulation, or alteration not expressly agreed with the manufacturer, concerning either hardware or software, shall result in the immediate cancellation of the warranty.

2.2 Scope and target audience

2.2.1 Purpose and document structure

This operating and maintenance manual is a useful guide that will enable you to work safely and carry out the operations necessary for keeping the equipment in good working order.

⚠ ATTENTION – If the equipment is used in a manner not specified in this manual, the protections and the certifications provided by the equipment may be impaired with the consequent loss of warranty.

⚠ ATTENTION – The language in which the document was originally written is ENGLISH; therefore, in the event of inconsistencies or doubts please ask the manufacturer for the original document.

2.2.2 List of appendix documents

In addition to this user manual and maintenance you can consult (and download) the product documentation by visiting www.fimer.com

📄 NOTE – Part of the information given in this document is taken from the original supplier documents. This document contains only the information considered necessary for the use and routine maintenance of the equipment.

📄 NOTE – The FIMER solar inverter help desk may be reached at 1-877-261-1374, 6am - 6pm (Arizona time) Monday-Friday. Excluding major holidays.

2.2.3 Operator and maintenance personnel skills/prerequisites

📄 NOTE – Personnel in charge of using and maintaining the equipment must be skilled for the described tasks and must reliably demonstrate their capacity to correctly interpret what is described in the manual.

⚠ ATTENTION – For safety reasons, the installation must be performed by qualified installers and/or licensed electricians, with experience in photovoltaic systems. Installation must be in accordance with the NEC and any other local electrical codes. The local electrical utility (or authority having jurisdiction) must approve any installation before it is connected to the electrical grid.

⊘ FORBIDDEN – Inverter operation and maintenance by a person who is NOT qualified, is intoxicated, or on narcotics, is strictly forbidden.

⚠ WARNING – The customer has civil liability for the qualification and mental or physical state of the personnel who interact with the equipment. They must always use the personal protective equipment (PPE) required by the laws of the country of destination and whatever is provided by their employer.

2.3 Application area, general conditions

FIMER shall not be liable for any damages whatsoever that may result from incorrect or careless operations.

⊘ **FORBIDDEN** – You may not use the equipment for a use that does not conform to that provided for in the field of use. The equipment **MUST NOT** be used by inexperienced staff, or even experienced staff if carrying out operations on the equipment that fail to comply with the indications in this manual and enclosed documentation.

2.3.1 Intended or allowed use

This equipment is a inverter designed for:
transforming a continuous electrical current (DC) supplied by a photovoltaic generator (PV)
in an alternating electrical current (AC) suitable for feeding into the public distribution grid.

2.3.2 Limits in field of use

- The inverter can be used only with photovoltaic modules which have ground isolated input poles.
- Only a photovoltaic generator can be connected in the input of the inverter (do not connect batteries or other sources of power supply).
- The inverter can be connected to the electricity grid only in countries for which it has been certified/ approved.
- The inverter cannot be connected to the DC side in parallel to other inverters.
- The inverter may only be used in compliance with all its technical characteristics.

2.3.3 Improper or prohibited use

- ⊘ **FORBIDDEN** – Install the equipment in environments subject to particular conditions of flammability or in adverse or disallowed environmental conditions, (temperature and humidity). Use the equipment with safety devices which are faulty or disabled.
- ⊘ **FORBIDDEN** – Use the equipment or parts of the equipment by linking it to other machines or equipment, unless expressly provided for.
- ⊘ **FORBIDDEN** – Modify operating parameters that are not accessible to the operator and/or parts of the equipment to vary its performance or change its isolation.
- ⊘ **FORBIDDEN** – Clean with corrosive products that could corrode parts of the equipment or generate electrostatic charges.
- ⊘ **FORBIDDEN** – Use or install the appliance or parts of it without having read and understood the contents of the user and maintenance manual.
- ⊘ **FORBIDDEN** – Placing any heavy object, sit or stand up on the inverter.
- ⊘ **FORBIDDEN** – Heat or dry rags and clothing on the parts in temperature. In addition to being hazardous, doing so would compromise component ventilation and cooling.

3. Characteristics

3

3.1 General conditions

A description of the equipment characteristics is provided to identify its main components and specify the technical terminology used in the manual.

This chapter contains information about the models, details of the equipment, characteristics and technical data, overall dimensions and equipment identification.

⊘ **FORBIDDEN** – The customer/Installer takes full responsibility if, when reading this manual, the chronological order of its presentation provided is not observed. All information is provided considering occasional inclusion of information in previous chapters.

🗨️ **NOTE** – In certain cases, there may be a need to separately document software functionality or attach supplementary documentation to this manual which is intended for more qualified professionals.

3.2 Equipment identification and manufacturer

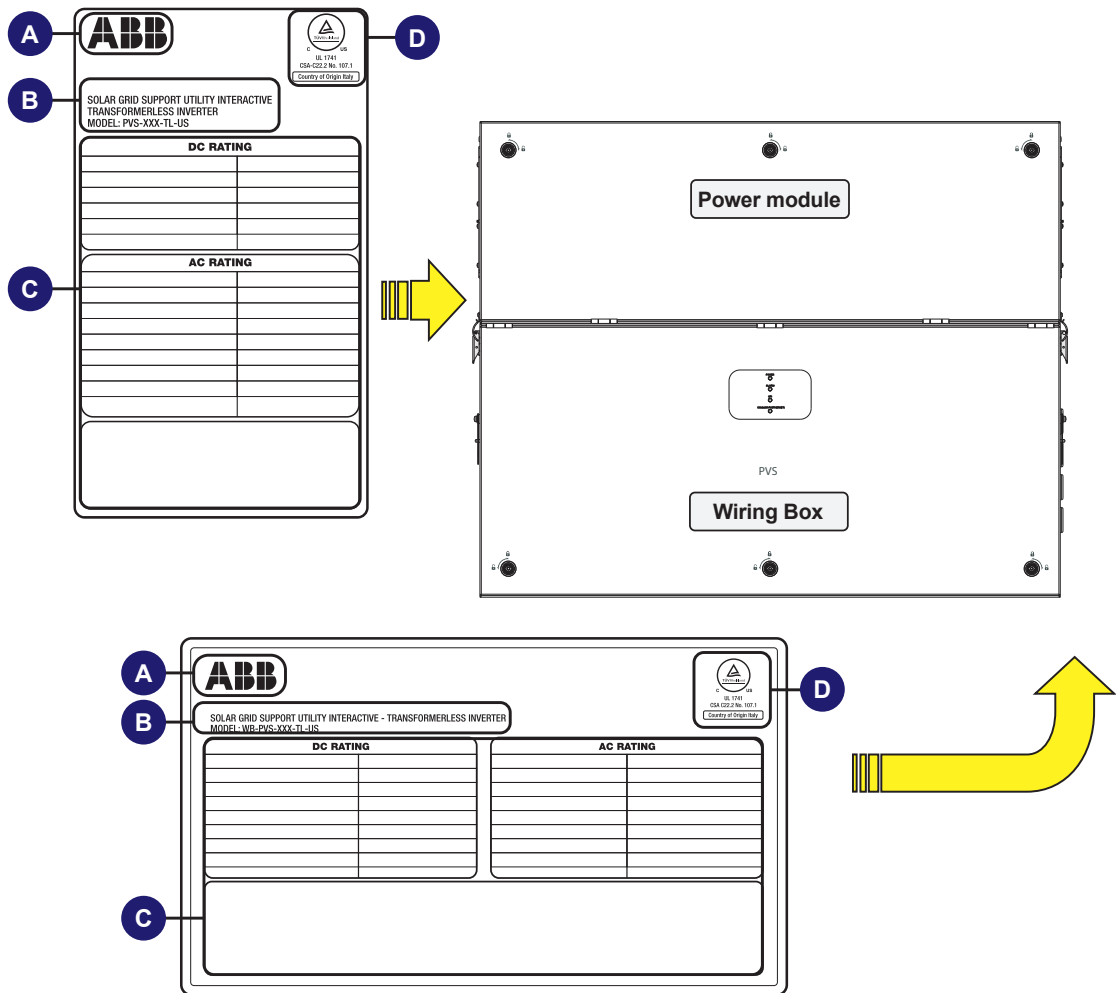
The labels on the power module and on the wiring box have the Agency marking, main technical data and identification of the equipment and manufacture.

The technical data provided in this manual does not substitute the data supplied on the labels affixed to the equipment.

NOTE – The labels affixed to the equipment must NOT be removed, damaged, stained, hidden, etc., for any reason whatsoever. The labels are NOT to be hidden by foreign objects and parts (rags, boxes, equipment, etc.); they must be regularly cleaned and always kept in sight.

NOTE – The labels shown below have to be intended as example only.

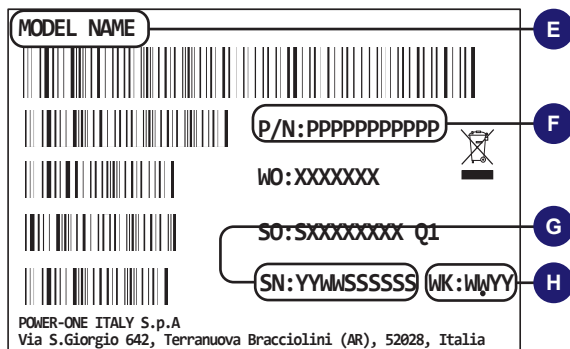
3.2.1 Regulatory label



- A. Manufacturer
- B. Inverter/wiring box model
- C. Main technical data
- D. Certification marks

3.2.2 Inverter identification label

The identification label is an accessory label (applied on both the inverter **(01)** and the wiring box **(02)**) which shows the information necessary for the identification and characterization of the inverter.



- E. Inverter/wiring box model
- F. Inverter/wiring box Part Number
- G. Inverter/wiring box Serial Number
- H. Week/Year of manufacture

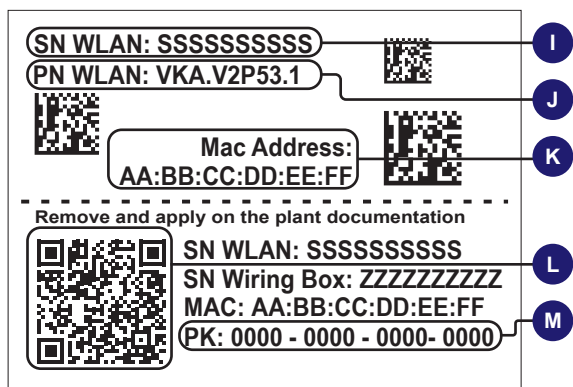
⚠ ATTENTION – The officially required information is located on the regulatory label.

🗉 NOTE – If the Admin Plus password is requested, the information from identification label are mandatory.

🗉 NOTE – An additional PN and SN label of the full system (power module + wiring box) is applied on the external packaging. This label should be stored in plant documentation for reference.

3.2.3 Communication Identification label:

The “communication identification label” (applied on the wiring box) is divided in two separate parts by a dashed line; take the bottom part and apply it on the plant documentation. FIMER recommend to create a plant map and apply the “communication identification label” on it.

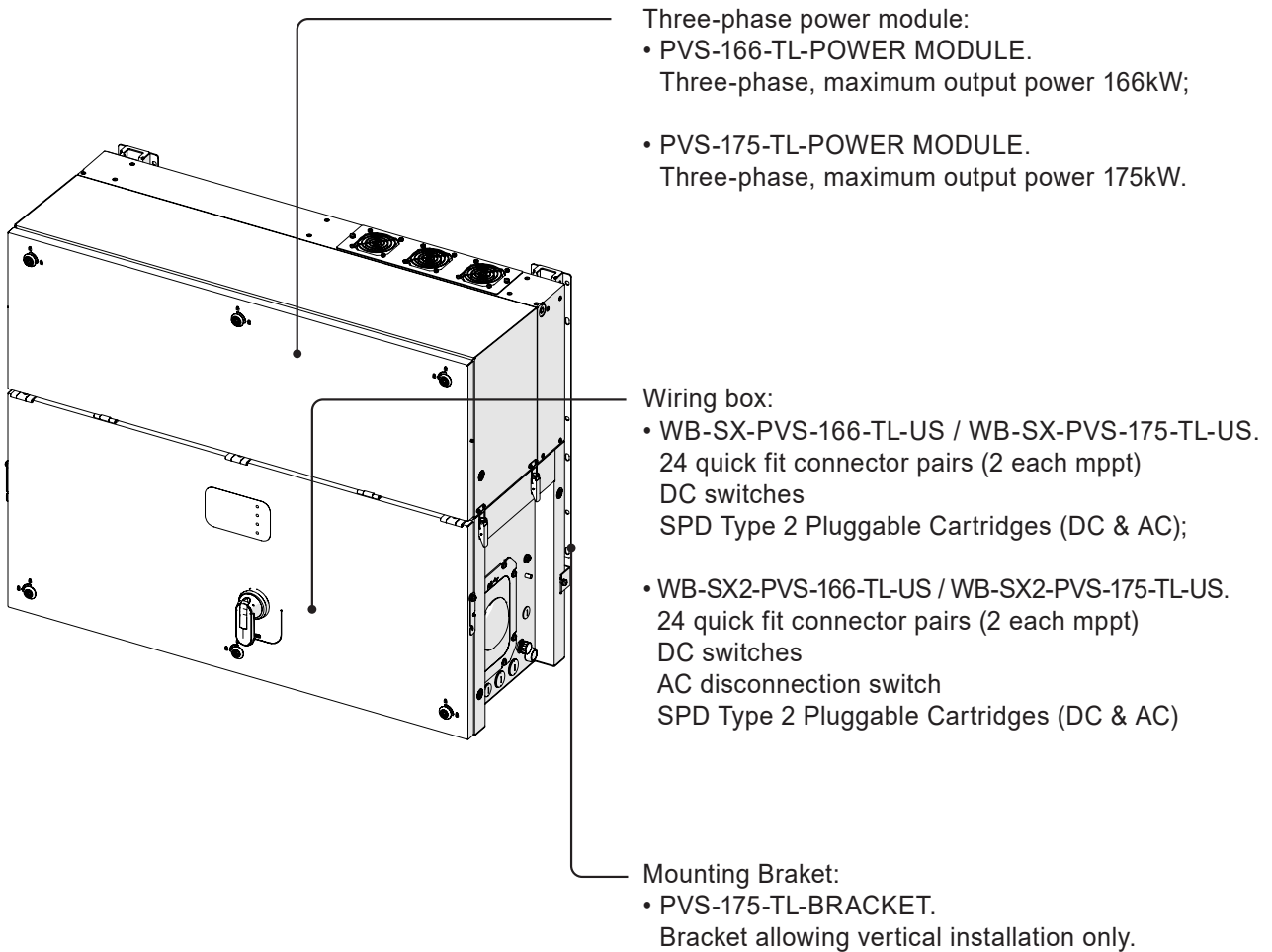


- I. WLAN embedded board Serial Number
- J. WLAN embedded board Part Number
- K. MAC address:
 - To be used to obtain the SSID of the wireless access point created by the inverter: ABB-XX-XX-XX-XX-XX-XX (where “X” is a hex digit of the MAC address).
 - To be used to obtain the “Host Name”: http://ABB-XX-XX-XX-XX-XX-XX.local (where “X” is a hex digit of the MAC address).
- L. QR Code: To be used to commission inverter using FIMER Installer for Solar Inverters for claiming process.
- M. Product Key: To be used as wireless access point password, or to be used to access to the Web UI as username and password in case of lost credentials, and to commission inverter using FIMER Installer for Solar Inverters.

3.3 Models and range of equipment

NOTE – The choice of the inverter model must be made by a qualified technician who knows about the installation conditions, the devices that will be installed outside the inverter and possible integration with an existing system.

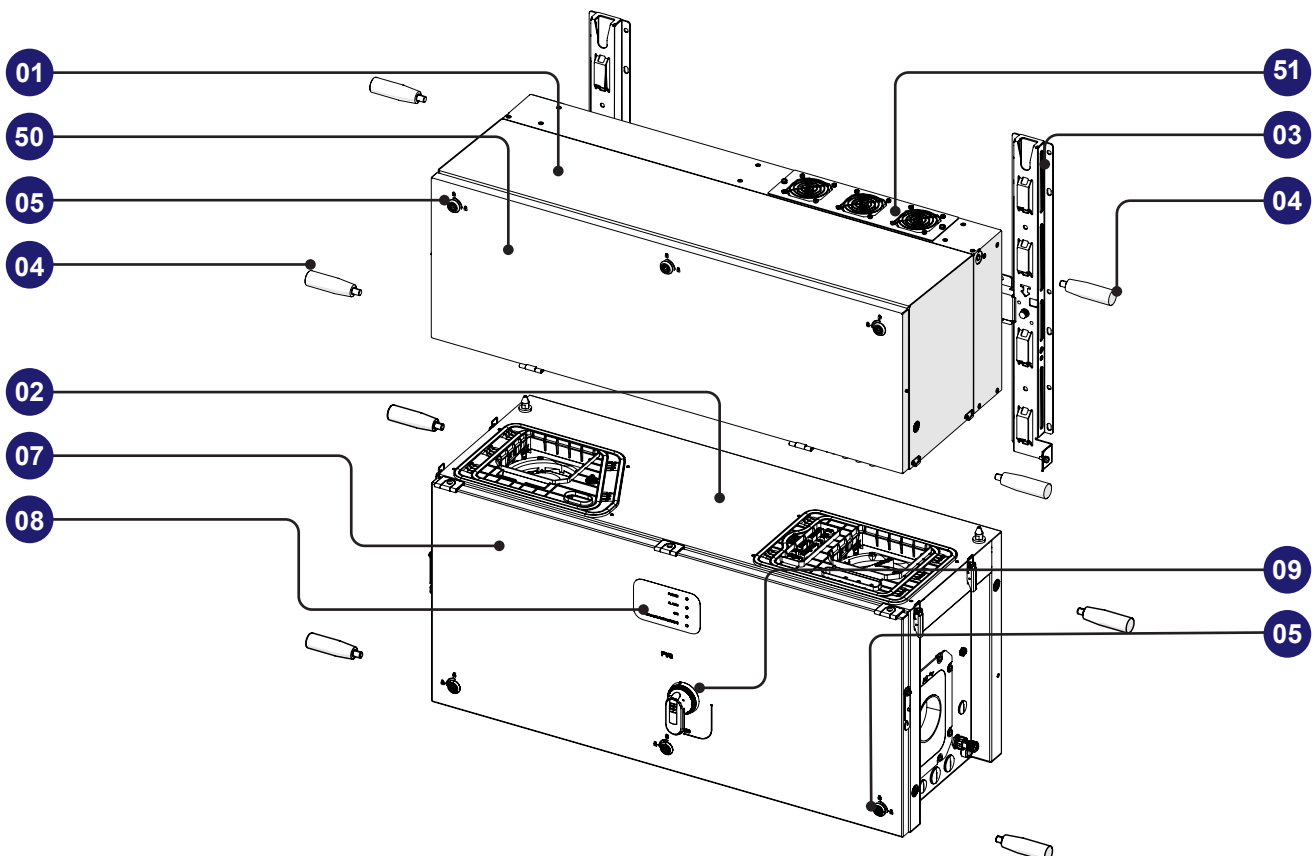
The pieces of equipment which make up the inverter to which this manual is dedicated are:



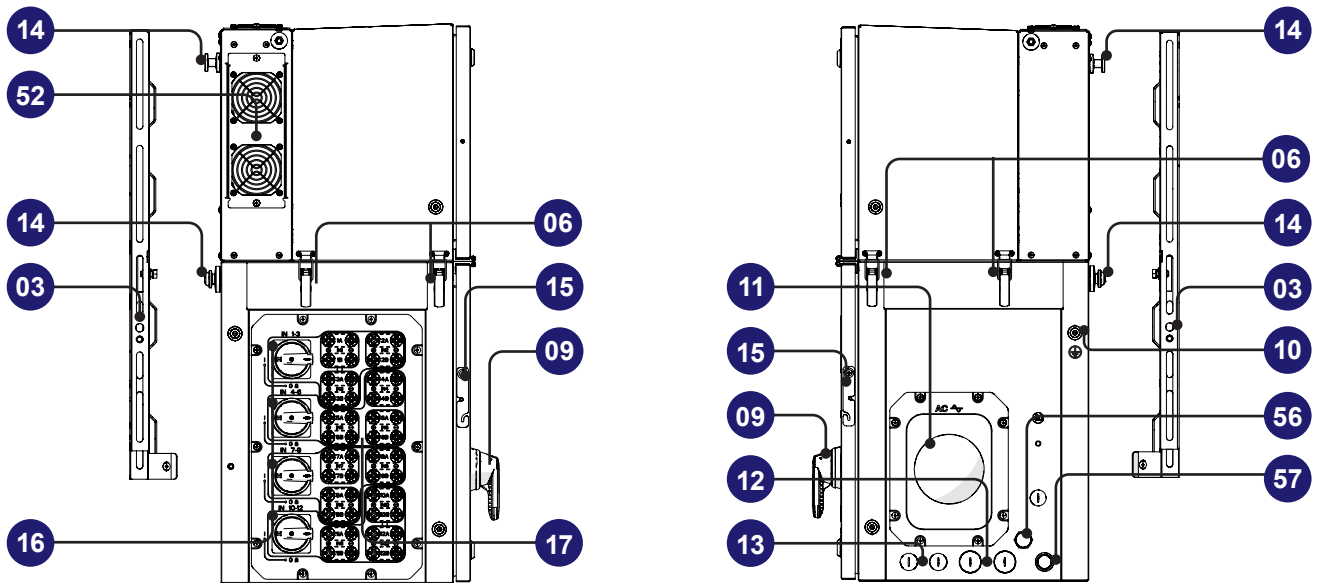
3.4 Component reference designators

- | | | | |
|----|---|----|---|
| 01 | Power module | 28 | Communication and control board |
| 02 | Wiring box | 29 | DC interface connection point |
| 03 | Mounting bracket | 31 | Interface signal connector |
| 04 | Handles | 32 | AC interface power cable |
| 05 | Cover quarter cam locks | 33 | Alarm terminal block |
| 06 | Side latch | 34 | RS485 FIMER service 120Ohm termination res. |
| 07 | Wiring box front cover | 35 | DRM0 activation switch |
| 08 | LEDs panel | 36 | RS485 line 120Ohm termination res. |
| 09 | AC disconnect switch (-SX2 only) | 37 | RS485 FIMER service (service only) |
| 10 | EGC connection point | 38 | Remote ON/OFF terminal block |
| 11 | AC opening (size 3" conduit) | 39 | RS485 line terminal block |
| 12 | Service opening (size 3/4" conduit) | 40 | Ethernet connector 1 (RJ45) |
| 13 | Service opening (size 1/2" conduit) | 41 | Ethernet connector 2 (RJ45) |
| 14 | Rear pins for bracket assembly | 42 | USB connector |
| 15 | Cover support brackets | 44 | CR2032 coin battery |
| 16 | DC disconnect switches | 45 | Memory board |
| 17 | DC input quick fit connectors | 46 | RS485 line communication board |
| 18 | DC and ARC fault interface cables | 50 | Power module front cover |
| 19 | ARC fault connector | 51 | Cooling section (top side) |
| 20 | Junction screws | 52 | Cooling section (left side) |
| 21 | DC surge arrester plate | 53 | Internal fan |
| 22 | AC connection busbar | 54 | Cable duct |
| 23 | AC overvoltage surge arresters | 55 | Protective earth connection point |
| 24 | Interface signal cables | 56 | RS-485&Rem.ON/OFF conn.(Service only) |
| 25 | AC interface power board | 57 | AFD reset button |
| 26 | Interface Protective Earth connection point | 59 | AFD interface cable |
| 27 | AC protective shield | | |

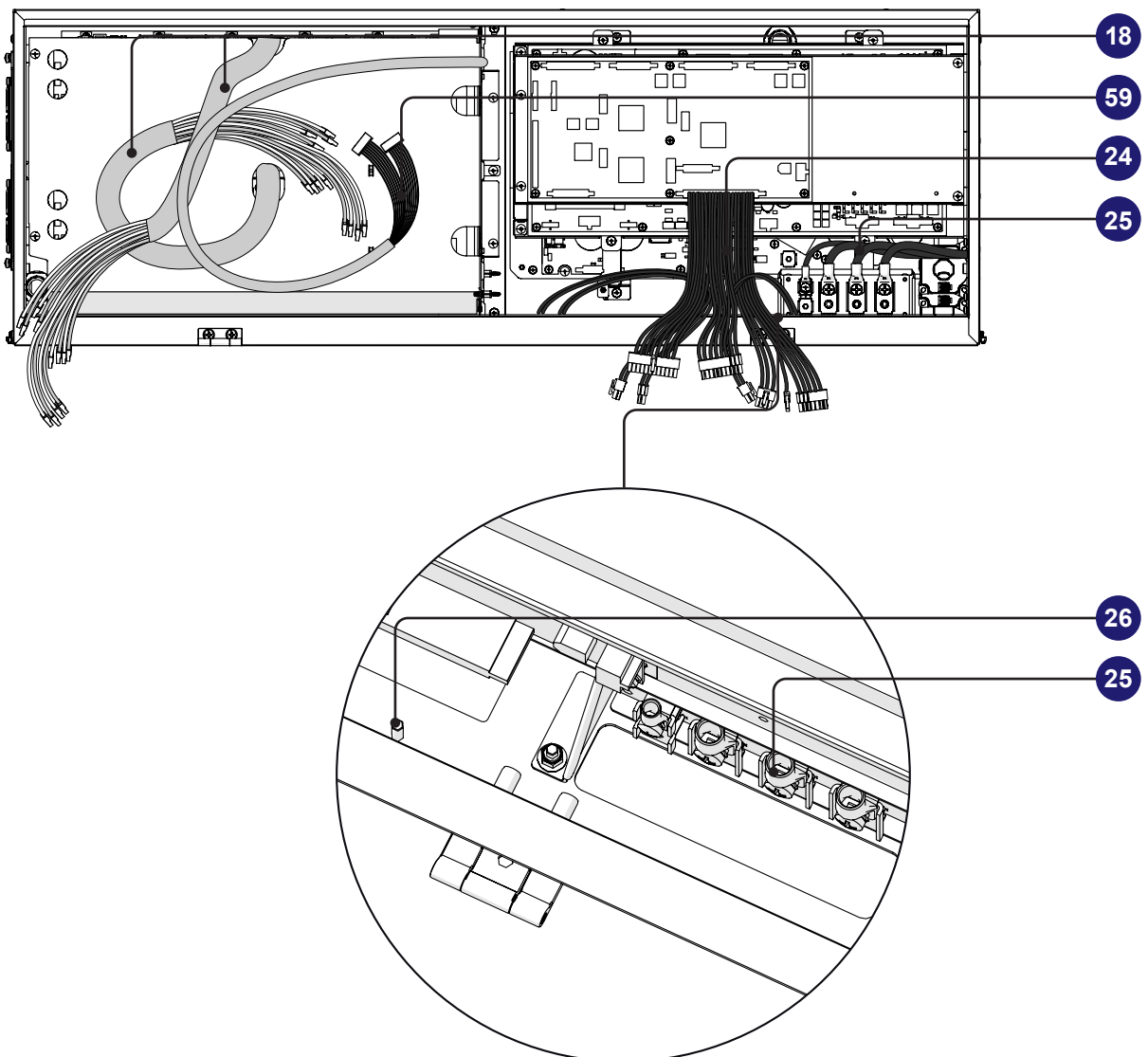
PVS-166/175-TL-US - External view



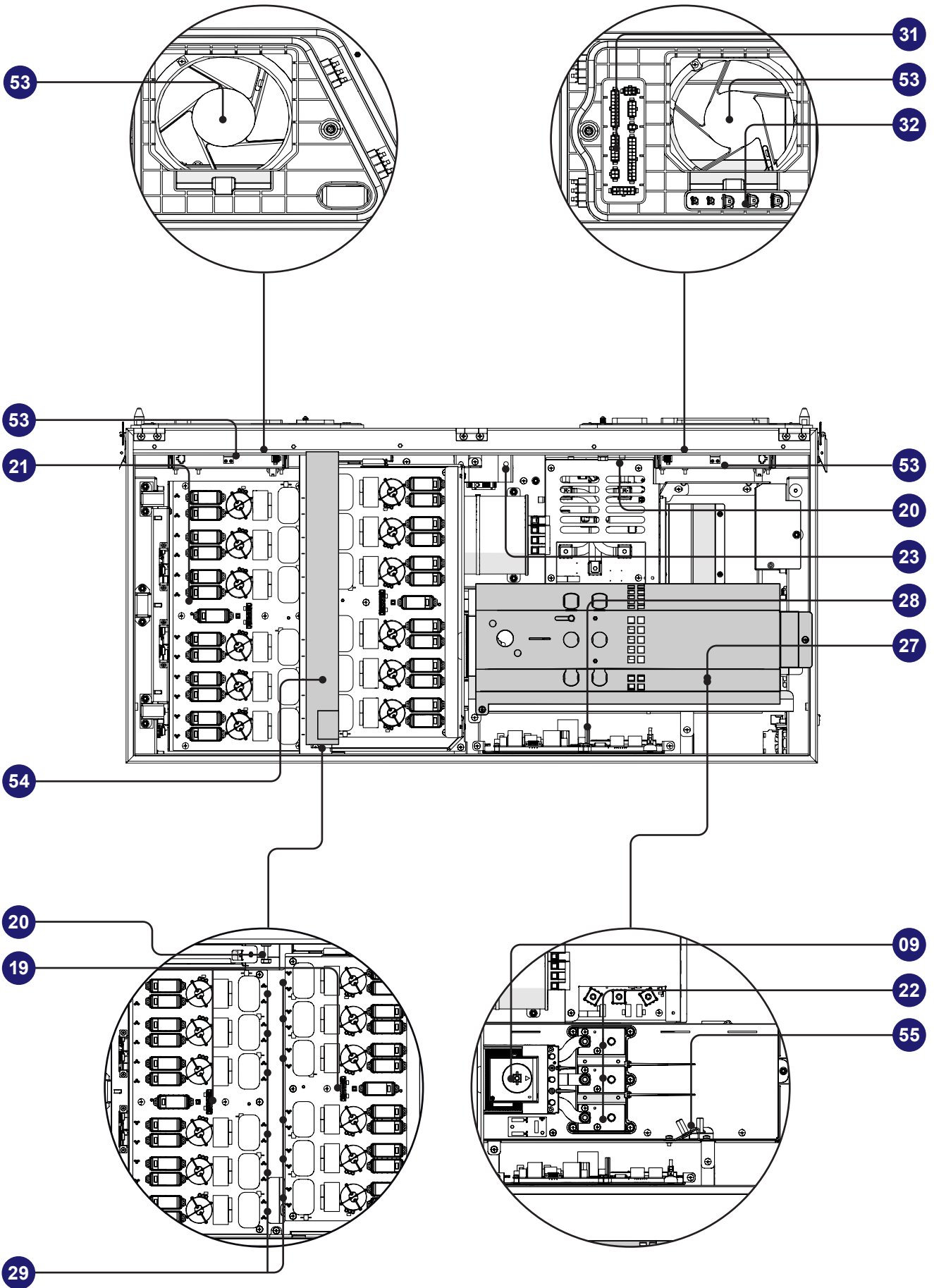
PVS-166/175-TL-US - External sides view



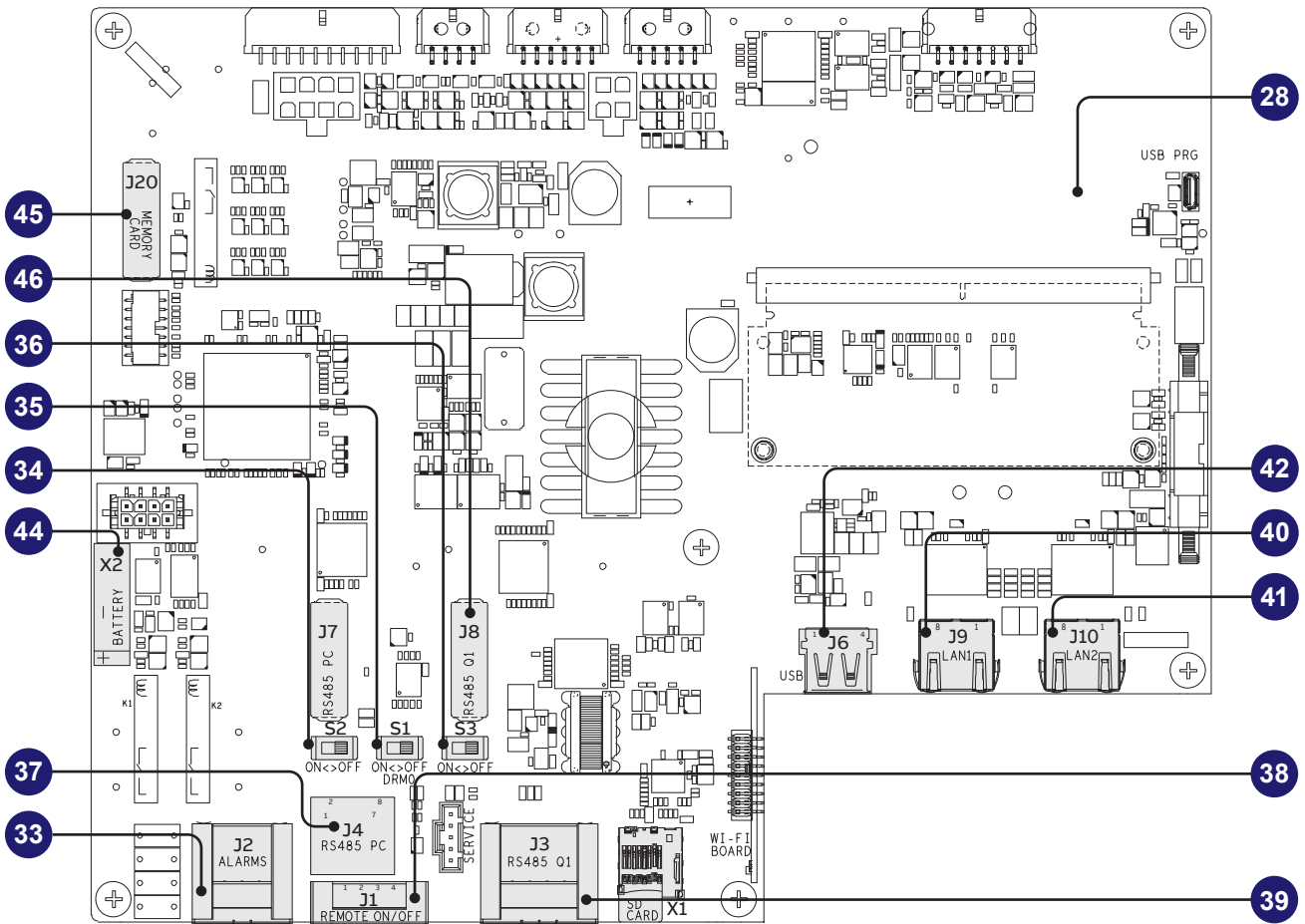
PVS-166/175-TL-US Power module- Internal view



PVS-166/175-TL-US Wiring box- Internal view



PVS-166/175-TL-US - Communication board (28)



3.5 Characteristics and technical data

3.5.1 Technical data and types

	PVS-166-TL US	PVS-175-TL US
Input side		
Absolute maximum DC input voltage ($V_{max,abs}$)		1500 V
Start-up DC input voltage (V_{start})		750 V (650...1000 V)
Operating DC input voltage range ($V_{dcmi...}$) $V_{dcmi...}$		0.7 x V_{start} ...1500 V (min 600 V)
Rated DC input voltage (V_{dcr})		1100 V
Rated DC input power (P_{dcr})	169 000 W @ 40°C	188 000 W @ 30°C (177 kW @ 40°C)
Number of independent MPPT		12
MPPT input DC voltage range ($V_{MPPTmin...}$) $V_{MPPTmax}$ at P_{acr}		850..1350 V
Maximum DC input current for each MPPT ($I_{MPPTmax}$)		22 A

	PVS-166-TL US	PVS-175-TL US
Maximum input short circuit current for each MPPT (I_{SCmax})	30 A	
Number of DC input pairs for each MPPT	2 DC inputs per MPPT	
DC connection type	PV quick fit connector ¹⁾	
Input protection		
DC Series Arc Fault Circuit Interrupter	Type I acc. to UL 1699B with single-MPPT sensing capability	
Reverse polarity protection	Yes, from limited current source	
Input over voltage protection for each MPPT	Type 2 with monitoring	
Photovoltaic array isolation control (Insulation Resistance, R-iso)	Yes (pre start-up R-iso measurement)	
Residual Current Monitoring Unit (leakage current protection)	Yes (dynamic GFDI)	
DC Load Breaking Disconnect Switch (rating for each MPPT)	30A/1500V ; 50A/1000V	
Fuse rating	N/A, No fuses required	
String current monitoring	MPPT-level current sense	
Output side		
AC Grid connection type	Three phase 3W+PE	
Rated AC power (P_{acr} @ $\cos\phi=1$)	166 500 W @ 40°C	175 000 W @ 40°C
Maximum AC output power (P_{acmax} @ $\cos\phi=1$)	166 500 W @ 40°C	185 000 W @ $\leq 30^\circ\text{C}$
Maximum apparent power (S_{max})	166 500 VA	185 000 VA
Rated AC grid voltage ($V_{ac,r}$)	800 V	
AC voltage range	552...960 ²⁾	
Maximum AC output current ($I_{ac,max}$)	134 A	
Rated output frequency (f_r)	50 Hz / 60 Hz	
Output frequency range ($f_{min}...f_{max}$)	45...55 Hz / 55...65 Hz ²⁾	
Nominal power factor / adjustable range at S_{max}	> 0.995 0.75 Lead...0.75 Lag	> 0.995 0.8 Lead...0.8 Lag
Total current harmonic distortion	< 3%	
Max DC current injection (% of I_n)	< 0.5%* I_n	
AC wire range	4x1x2/0 AWG to 4x1x400 kcmil, Cu/Al ³⁾	
AC plate	Opening for Trade size 3 conduit	
AC connection type	Copper Busbar for ring terminal lug connections with M10 stud type terminal block (bolts included)	
Output protection		
Anti-islanding protection	Meets UL1741 / IEEE1547 requirements	
Output overvoltage protection - replaceable surge protection device	Type 2 with monitoring	
Operating performance		
Maximum efficiency (η_{max})	98.6 %	
Weighted CEC efficiency (η_{CEC})	98.4 %	
Communication		
Embedded communication interfaces	Dual port Ethernet, WLAN ⁴⁾ , RS-485	
User interface	4 LEDs, Web User Interface, Mobile APP	
Communication protocol	Modbus RTU/TCP (SunSpec compliant)	
Commissioning tool	Web User Interface, Mobile APP	
Monitoring	Plant Portfolio Manager, Plant Viewer	

	PVS-166-TL US	PVS-175-TL US
FW update	Remote inverter FW upgrade via Ethernet/WLAN interface locally/remotely	
Parameter upgrade	Remote inverter parameter upgrade via Ethernet/WLAN according to SunSpec Modbus protocol	
Environmental		
Operating ambient temperature range	-13...+140°F (-25...+60°C) with derating above 104°F (40°C)	
Relative humidity	0...100% condensing	
Sound pressure level, typical	<65 dB(A)@ 1m	
Maximum operating altitude without derating	2000 m / 6560 ft	
Physical		
Environmental protection rating	Cert. to UL 50E Type 4X – meets or exceeds NEMA 4X	
Cooling	Forced air cooling with variable speed cooling fan	
Dimension (H x W x D)	34.2x42.7x16.5 in (867 x 1086 x 419 mm) / -SX model 34.2x42.7x18 in (867 x 1086 x 458 mm) / -SX2 model	
Weight	~76kg / 167.5 lbs for power module ~76kg / 169.7 lbs for wiring box Overall max 153 kg / 337.2 lbs	
Mounting system	Bracket (included, vertical mounting only)	
Safety		
Isolation level	Transformer-less (floating array)	
Marking	cTUV _{US}	
Safety and EMC standard	UL1741, IEEE1547, IEEE1547.1, CSA-C22.2 No. 107.1-01, UL1998, UL 1699B, FCC 47 CFR Part 15B Class A Limits	
Grid standard	UL 1741 SA, IEEE1547, IEEE 1547a, Rule 21, Rule 14 (HI)	
Optional available		
DC link recharge circuit	Night time operation with restart capability	
Anti-PID ⁵⁾	Based on night time polarization of the array	

1. Multicontact MC4-Evo2. Cable couplers may accept up to 10mm² (AWG8)
2. The AC voltage and frequency range may vary depending on specific country grid standard
3. Aluminum cable requires bi-metallic compression lug or bi-metallic adapter
4. as per IEEE 802.11 b/g/n standard, 2.4 GHz
5. Cannot operate simultaneously when installed in conjunction with the DC link recharge circuit

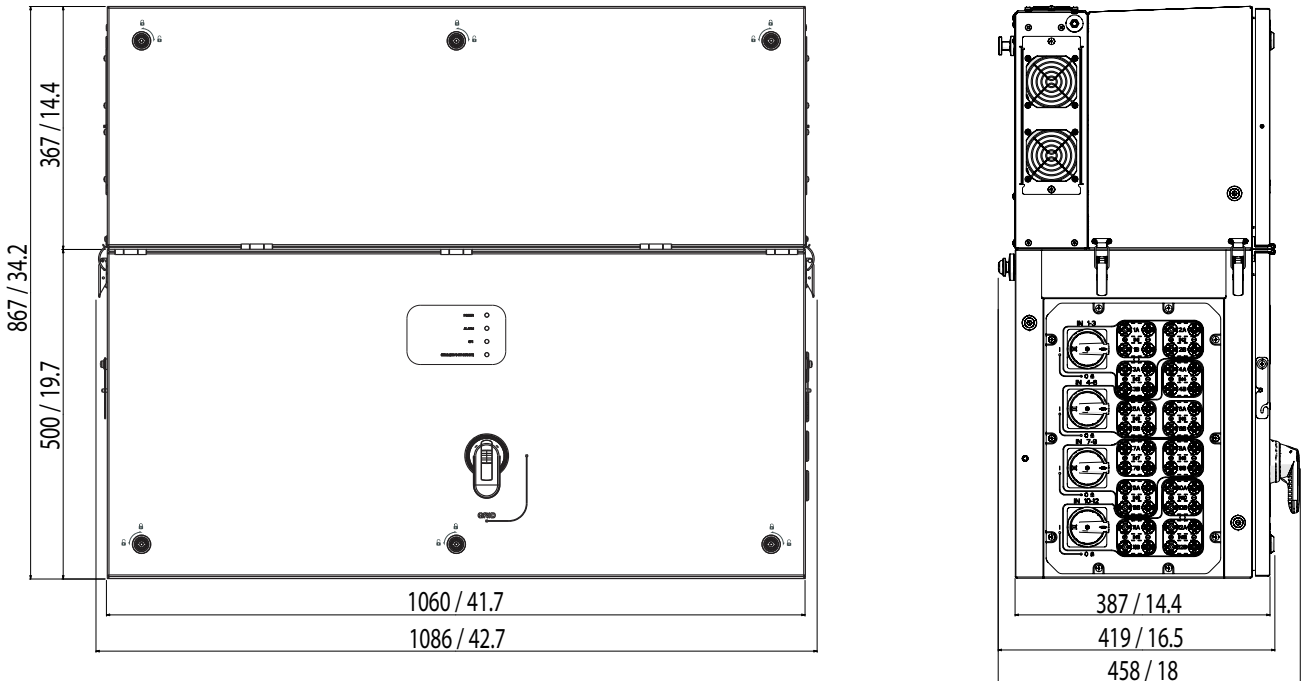
3.5.2 Tightening torques

To maintain the NEMA 4X protection rating of the system and for correct installation, the following torques must be used:

Component	Torque (Nm)	Torque (ft-lb)
AC connection busbar bolts (22)	25	18.5
Protective earth connection point (55)	21	15.5
EGC connection point (10)	15.2	11.2
Junction screws (20)	12	8.9
Side bracket screws	5	3.7
Communication connector counterparts (33) (38) (39)	0.25	0.18 ft-lb
AC interface power cable (phases R,S,T) (32)	4	3
AC interface power cable (mid-bulk) (32)	3	2.2
Protective earth point interface cable (26)	3	2.2

3.5.3 Overall dimensions of the inverter

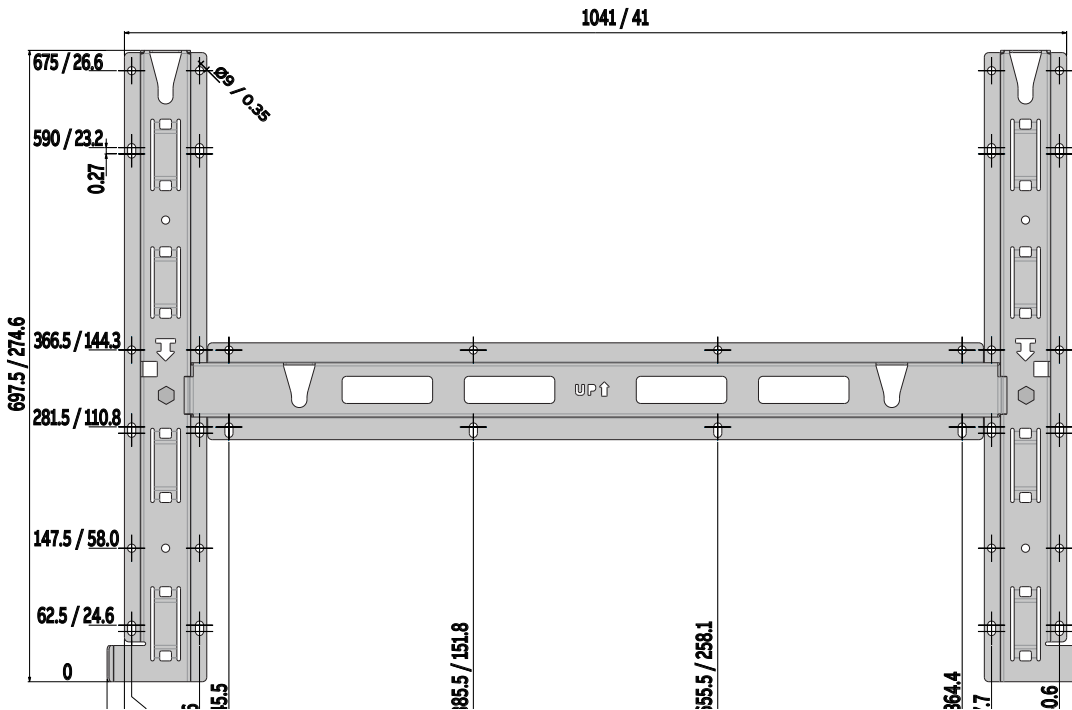
The overall dimensions, not including the mounting bracket 03, are expressed in millimeters and inches.



3.5.4 Overall dimensions of the mounting bracket

The dimensions of the wall mounting bracket 03 are expressed in millimeters and inches.

The diameter of holes in the bracket are 9mm / 0,35".

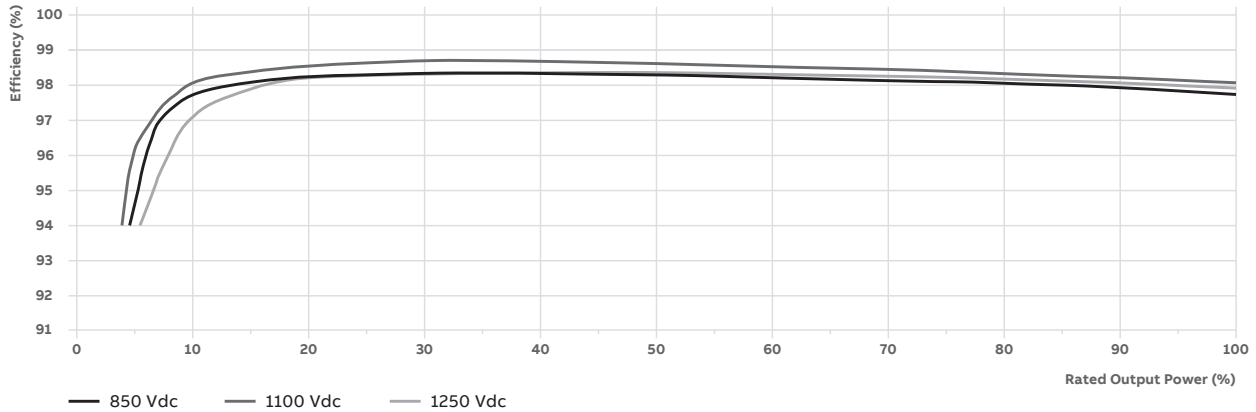


3.6 Efficiency curves

Graphs of the efficiency curves of all models of inverter described in this manual are shown below.

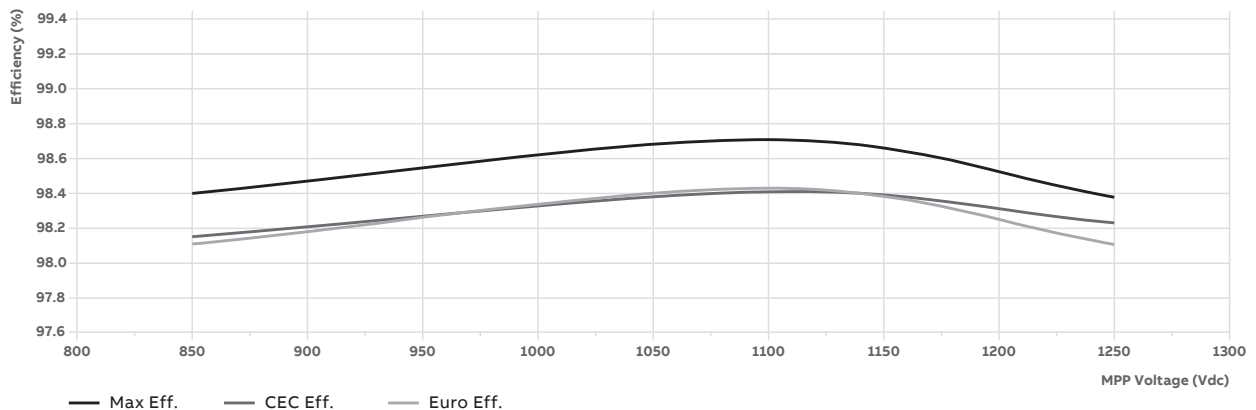
NOTE – The efficiency curves are linked to technical parameters that are continually being developed and improved and should therefore be considered approximate.

3.6.1 PVS-175-TL-US - Efficiency Vs Nominal Power



		850 Vdc - 800 Vac					1100 Vdc - 800Vac					1250 Vdc - 400Vac				
Pout %	Pout Kw	Efficiency	Euro weight	CEC weight	Euro eff.	CEC eff.	Efficiency	Euro weight	CEC weight	Euro eff.	CEC eff.	Efficiency	Euro weight	CEC weight	Euro eff.	CEC eff.
5	9.25	96.78	0.03	0	2.90	0.00	97.16	0.03	0	2.91	0.00	95.18	0.03	0	2.86	0.00
10	18.50	97.81	0.06	0.04	5.87	3.91	98.23	0.06	0.04	5.89	3.93	97.49	0.06	0.04	5.85	3.90
20	37.00	98.26	0.13	0.05	12.77	4.91	98.56	0.13	0.05	12.81	4.93	98.24	0.13	0.05	12.77	4.91
30	55.50	98.35	0.1	0.12	9.84	11.80	98.71	0.1	0.12	9.87	11.85	98.33	0.1	0.12	9.83	11.80
50	92.50	98.29	0.48	0.21	47.18	20.64	98.59	0.48	0.21	47.32	20.70	98.36	0.48	0.21	47.21	20.66
75	138.75	98.10	0	0.53	0.00	51.99	98.31	0	0.53	0.00	52.10	98.23	0	0.53	0.00	52.06
100	185.00	97.74	0.2	0.05	19.55	4.89	98.08	0.2	0.05	19.62	4.90	97.93	0.2	0.05	19.59	4.90
Efficiency (tolerances according to IEC 61683)		max. 98.40			Euro eff. 98.11	CEC 98.15	max. 98.71			Euro eff. 98.43	CEC 98.41	max. 98.38			Euro eff. 98.11	CEC 98.23

3.6.2 PVS-175-TL-US - Efficiency Vs MPP Voltage



3.7 Power derating

In order to allow inverter operation in safe thermal and electrical conditions, the unit automatically reduces the value of the power fed into the grid.

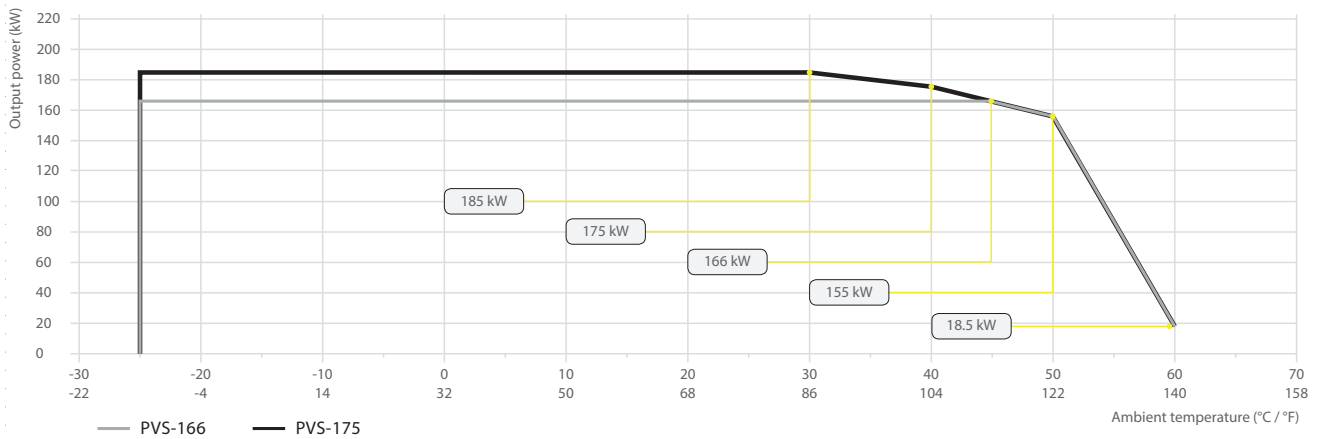
Power derating may occur due to:

- Adverse environmental conditions (thermal derating)
- Percentage of output power (value set by the user)
- Grid voltage over frequency (mode set by user)
- Grid overvoltage $U > 10\text{min Der.}$ (enabling carried out by user)
- Anti-islanding
- Grid under voltage
- Input voltage values too high.
- High input current values.
- Volt-Var grid support functionality.
- Volt-Watt grid support functionality.

3.7.1 Power derating due to environmental conditions

The power reduction value and the inverter temperature at which it occurs depend on the ambient temperature and on many operating parameters. Example: input voltage, grid voltage and power available from the photovoltaic field.

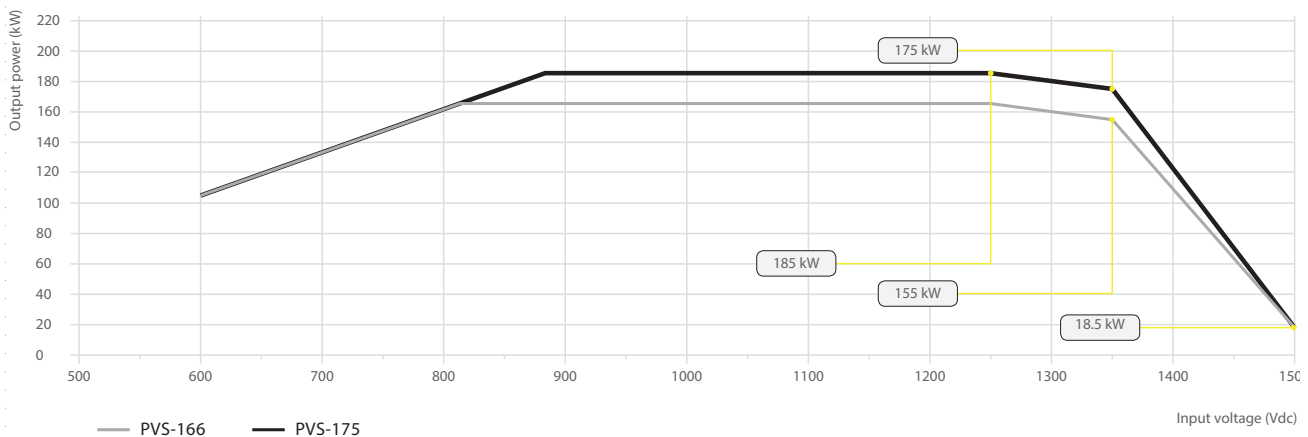
The inverter can therefore reduce the power during certain periods of the day according to the value of these parameters.



3.7.2 Power derating due to the input voltage

The reduction of the power supplied where the DC input voltage values are too high or too low is adjusted automatically.

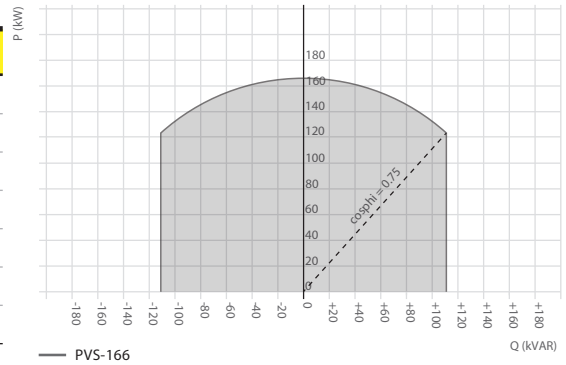
NOTE – Power reduction behaviour is guaranteed only in case of balanced input channels.



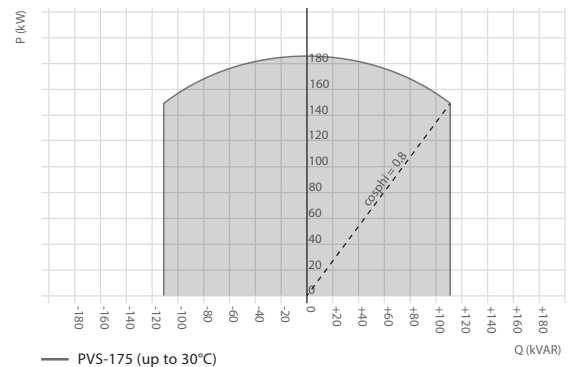
3.8 P-Q Capability

The following represents the maximum P-Q capability of the unit under the specified operating conditions.

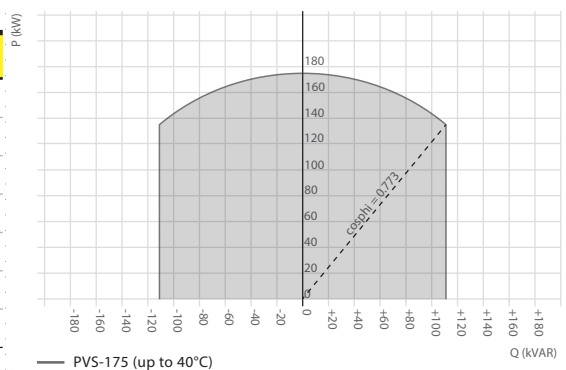
PVS-166-TL-US	
Ambient temperature	up to 40 °C
Maximum Active Power (P_{ac_max})	166.5 kW
Maximum Apparent Power (S_{max})	166.5 kVA
Maximum Reactive Power (Q_{max})	111 kVAR
Rated output voltage (U_n)	800 Vac
Cosphi @ Smax	-0.75...1... +0.75
Capability with grid voltage	1.0 x U_n



PVS-175-TL-US	
Ambient temperature	up to 30 °C
Rated output voltage (U_n)	800 Vac
Maximum Active Power (P_{ac_max})	185 kW
Maximum Apparent Power (S_{max})	185 kVA
Maximum Reactive Power (Q_{max})	111 kVAR
Cosphi @ Smax	-0.8 ... 1 ... +0.8
Capability with grid voltage	1.0 x U_n



PVS-175-TL-US	
Ambient temperature	up to 40 °C
Rated output voltage (U_n)	800 Vac
Maximum Active Power (P_{ac_max})	175 kW
Maximum Apparent Power (S_{max})	175 kVA
Maximum Reactive Power (Q_{max})	111 kVAR
Cosphi @ Smax	-0.773...1...+0.773
Capability with grid voltage	1.0 x U_n



3.9 Characteristics of a photovoltaic generator

A PV generator consists of an assembly of photovoltaic modules that transform solar radiation into DC electrical energy and can be made up of:

- Strings: number (X) of PV modules connected in series
- Array: group of X strings connected in parallel.

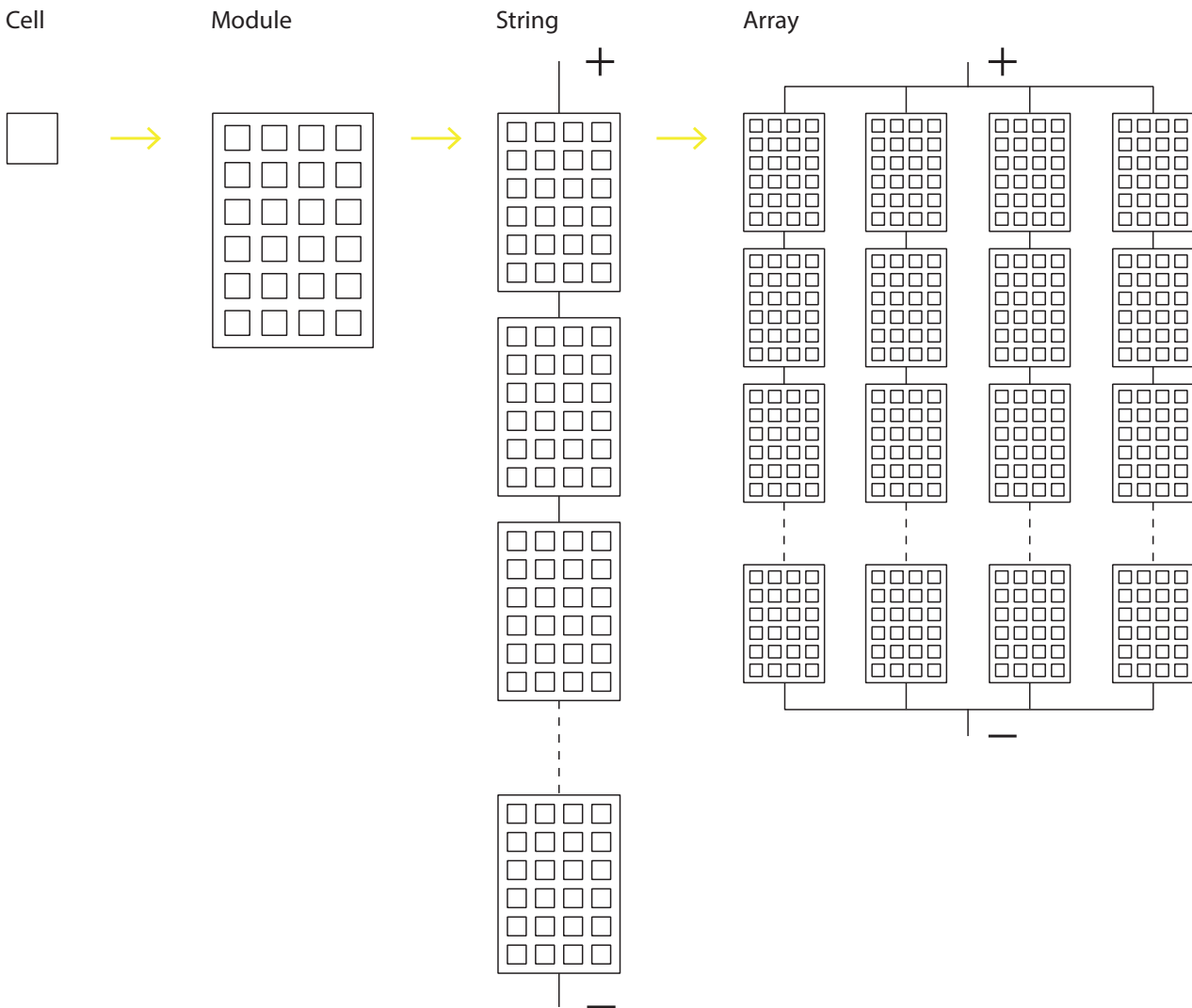
The string technology was developed to significantly reduce the installation costs of a photovoltaic system, mainly associated to wiring on the DC side of the inverter and subsequent distribution on the AC side. A photovoltaic panel consists of many photovoltaic cells mounted on the same support.

A string consists of a certain number of panels connected in series;

An array consists of two or more strings connected in parallel.

Large photovoltaic systems can include multiple arrays connected to one or more inverters.

The greater the number of panels in each string, the lower the cost and the less complex the wiring connections of the system.



NOTE – The current of each array must fall within the limits of the inverter.

3.10 Description of the equipment

This equipment is a string inverter which converts the direct current of a photovoltaic generator into alternating current and feeds it into the public distribution grid.

Photovoltaic panels convert solar radiation into “DC” electrical energy (via a photovoltaic field, also called PV generator); in order to use it, it is transformed into “AC” alternate current. This conversion, known as inversion from DC to AC, is done in an efficient way by the FIMER inverters, without using any rotary elements, rather only via static electronic systems.

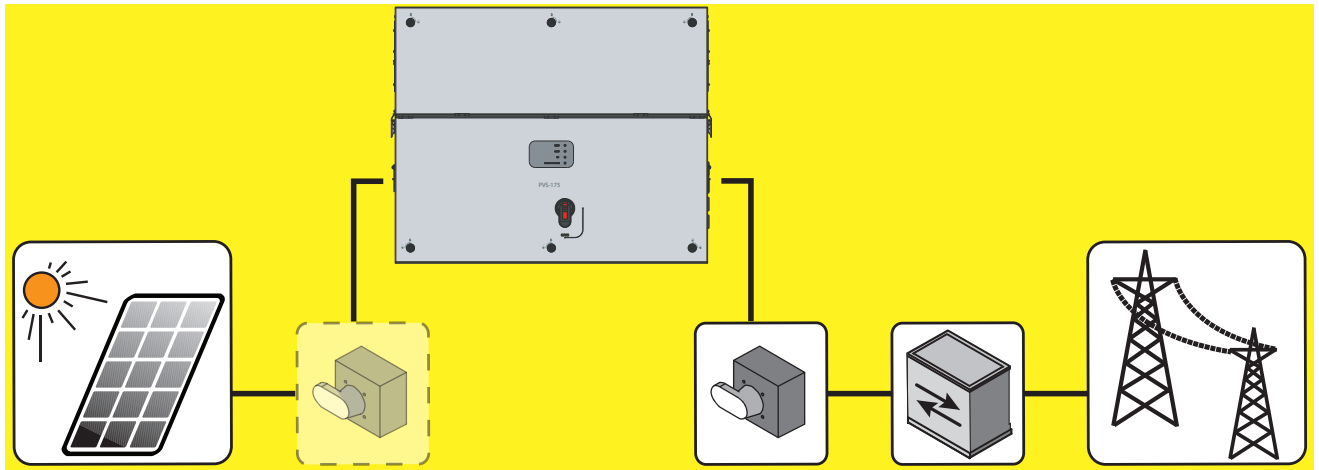
In order to allow inverter operation in safe thermal and electrical conditions, the unit automatically reduces the value of the power fed into the grid under adverse environmental conditions or unsuitable input voltage values.

When connected in parallel with the grid, the alternating current from the inverter flows directly into the domestic or industrial distribution circuit, which is in turn connected to the public distribution grid. This way the solar energy system compensates for the energy drawn from the utilities connected to the grid to which it is linked.

When the photovoltaic system is not generating sufficient energy, the power required to ensure proper operation of connected loads is taken from the public distribution grid. While if too much energy is produced, it is directly fed to the grid, thus becoming available to other users.

According to national and local standards and regulations the produced energy can be sold to the grid or credited to the user against future consumption, thus granting a great saving of money.

3.10.1 Operating diagram (example)



3.10.2 Mutual connection of multiple inverters

If the photovoltaic system exceeds the capacity of a single inverter, it is possible to connect multiple inverters to the system, each of them in turn connected on the DC side to a separate section of the photovoltaic generator, and on the AC side to the distribution grid.

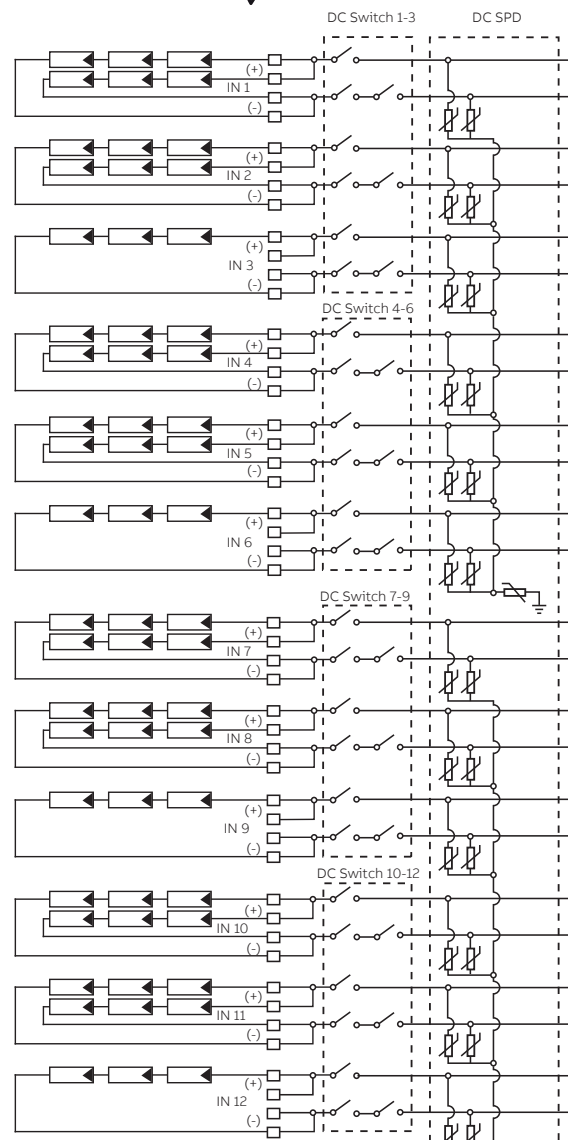
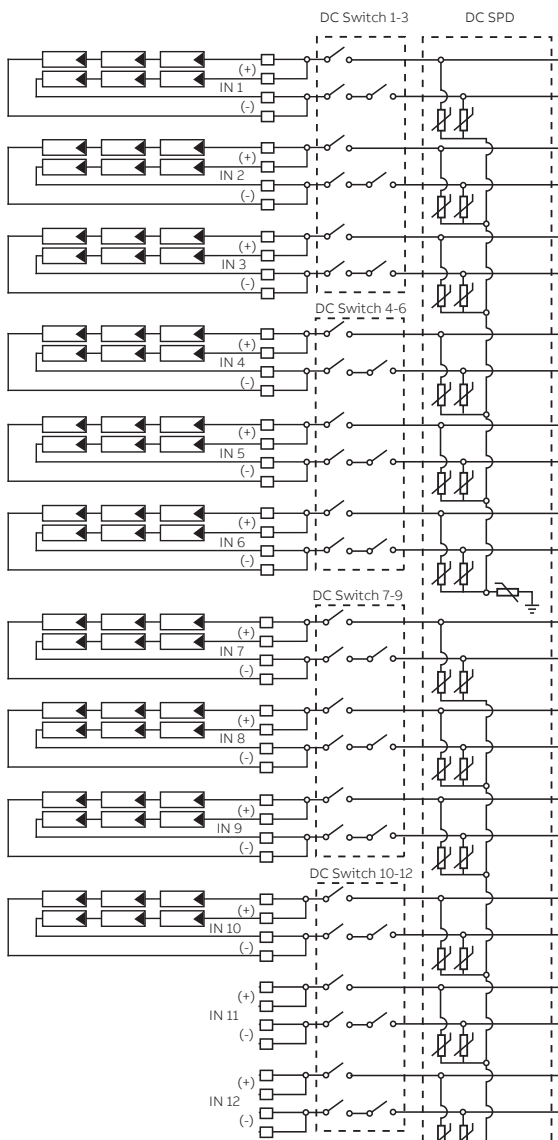
Each string inverter will work independently of the others and its own photovoltaic module will supply the maximum power available to the grid.

3.10.3 Notes on the system sizing

Decisions on how to structure a photovoltaic system depend on a series of factors and considerations, such as the type of panels, the space availability, the future location of the system, energy production goals over the long term, etc.

NOTE – A configuration program that can help to correctly size the photovoltaic system is available on the FIMER website (<http://stringsizer.fimer.com>).

ATTENTION – When configuring DC input and during the installation it's needed to follow one basic rule to avoid possible output power derating: All MPPTs shall be populated connecting at least one string. Considering to connect 20 strings, proceed connecting one string per MPPT and then connect the remaining strings in the selected MPPTs where you want to use 2 strings.



3.11 Functionality and components of the equipment

3.11.1 Highlights

- 12 independent MPPT
- Two box configuration, separate power module and wiring box
- Transformerless inverter
- Maximum efficiency up to 98.7%.
- Double stage topology for a wide input range
- Large set of specific grid codes available which can be selected directly in the field
- Wireless access to embedded Web User Interfaces
- FIMER Installer for Solar Inverters APP for commissioning of inverters
- Ethernet daisy chain enabled (supports both ethernet star/ring topology)
- One RS485 line acting as master or slave
- Modbus TPC/RTU Sunspec compliant
- Support to FIMER accessories directly connected to the inverter via RS485
- Remote monitoring and firmware update via Aurora Vision® (logger free)

3.11.2 Improved commissioning and maintenance

FIMER Installer for Solar Inverters APP

Improved multi inverter installation with FIMER Installer for Solar Inverters APP by using Android mobile devices (the app for iOS mobile devices will be implemented soon).

Integrated Web User Interface

The inverter is equipped with an ethernet and wireless (IEEE802.11 b/g/n) board and with an Integrated Web User Interface that allow a full access to all main configuration and parameters of the inverter. It can be accessed by using from any ethernet or wireless capable device like laptop, tablet or smartphone via a common internet browser.

Remote firmware update function

The inverter firmware can be updated remotely using the Integrated Web User Interface dedicated section or via Aurora Vision® or via FIMER Installer for Solar Inverters APP.

3.11.3 Aurora Vision Plant Management Platform

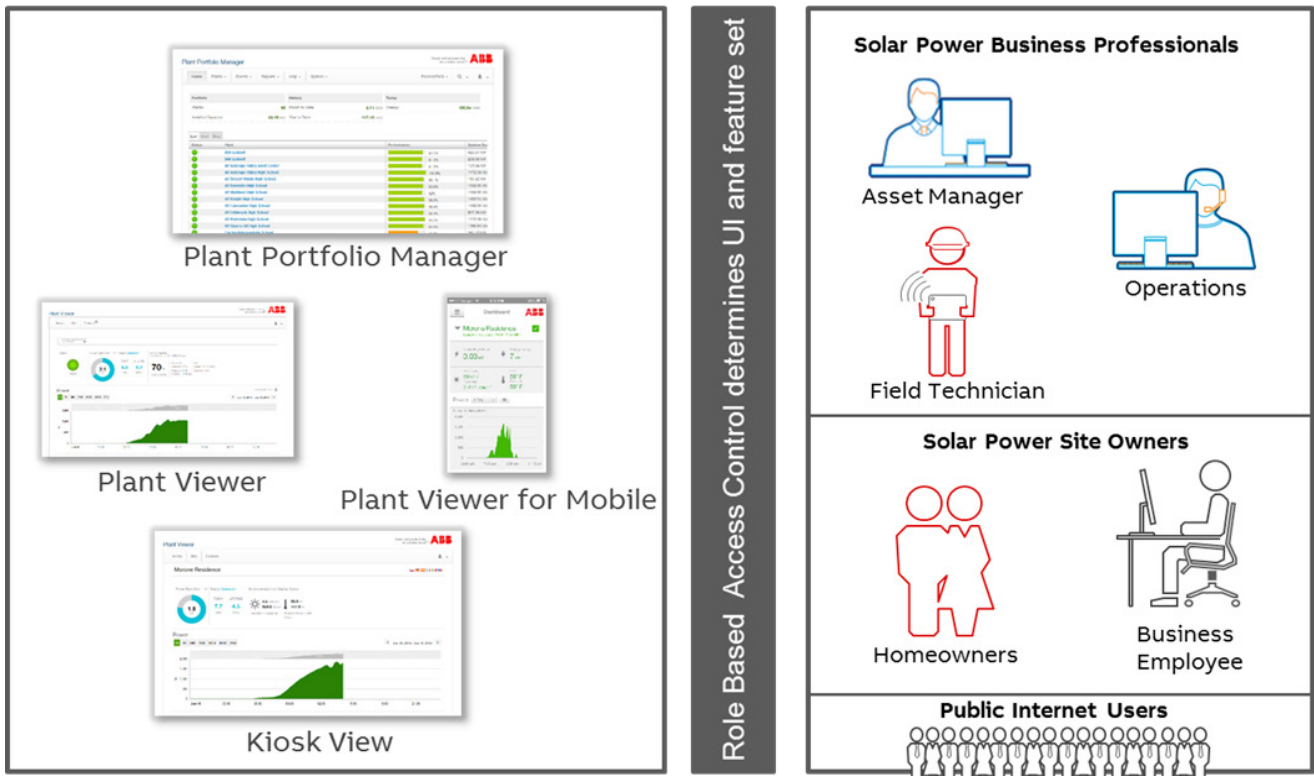
Integrated logging capability allows remote monitoring of the plant without the need of any additional external loggers.

Aurora Vision is a cloud based platform enabling remote monitoring and asset management of FIMER devices in range of solar power application.

Aurora Vision consists of three different products:

1. Plant Portfolio Manager is a full featured web based application used by solar power professionals to monitor and manage a portfolio of solar power plants using FIMER inverters.
2. Plant Viewer is an easy to use web based serviced application used by non-solar power professionals (such as homeowners or small business owners) to monitor solar power plants they own.
3. Plant Viewer for Mobile is the mobile version of Plant Viewer enabling non-solar power professionals to remotely monitor their own PV plants by using smart phones, tablets and iPod Touch with IOS and Android operating systems.
4. FIMER Ability™ for solar plants - Energy Viewer is an easy to use mobile application allowing solar plant owners to remotely monitor all the energy flows and the performance of their own pv plants, with and without an energy storage system installed.

All products previously mentioned work together to allow solar power professional and site owners to collaboratively manage solar power plants.



NOTE – Please contact the FIMER technical support for getting your own Plant Portfolio Manager account (mainly for installers and plant administrators). Please get your Plant Viewer, Plant Viewer for Mobile or Energy Viewer by accessing the website www.auroravision.net and click on “Register with Plant Viewer” button (mainly for site owners).

3.11.4 Configurable relays

The inverter is equipped with two configurable switching relays (33), which can be used in different operating configurations that can be set using the web user interface. A typical example of application is closing the contact when an alarm is triggered.

3.11.5 Remote switch-on/switch-off

This command can be used to switch off/switch on the inverter via an external (remote) command using the Remote ON/OFF terminal block (38).

This functionality must be enabled in the web user interface and when active, switching on the inverter, besides being dictated by the presence of normal parameters which allow the inverter to be connected to the grid, also depends on the external control for switching on/off.

3.11.6 Reactive power feed into the grid

The inverter is able to produce reactive power and can feed this power into the grid via the power factor setting.

Power feeding modes vary according to the country of installation and the grid companies.

3.11.7 Limiting the active power fed into the grid

The inverter can limit the amount of active power fed into the grid by the inverter to the desired and adjustable value.

3.11.8 Overvoltage surge arrester monitoring(-SX/SX2 models only)

The inverter monitors the status of the overvoltage surge arresters F (23), and generates a warning in the event of a fault (viewable via monitoring system, internal web user interface or Installer Mobile APP).

3.11.9 Data transmission and control

Embedded multi communication interfaces (WLAN, Ethernet, RS485) combined with a Sunspec compliant Modbus protocol (RTU/TCP) allow the inverter to be easily integrated with any third party monitoring and control systems that support the same Sunspec standard.

NOTE – Please contact the FIMER technical support or get access to Sunspec alliance website for further information on Modbus Sunspec products.

3.12 Communication connection diagrams

The communication connection diagrams shows how the integrated ethernet and wireless board allows the local or remote connection to the inverter.

3.12.1 Communication interface

The inverter provide the following integrated communication interfaces:

- Wi-Fi channel (IEEE 802.11 b/g/n@2.4GHz)
The use is recommended to access wirelessly to embedded web server by using any WLAN standard device (PC, tablet, smartphone) for commissioning and parameter setting. Additionally there is second radio channel that can be used for connection to wireless router.
- 2x Ethernet ports (40) (41) (10/100BaseTx - RJ45 plugs)
The ports are configured by default for enabling daisy chain connection of the inverters over the Ethernet bus.
In order to improve the reliability of the communication with the inverters it is also allowed to create ring shape layout by using this Ethernet bus
- 1x RS485 ports (39) (terminal block)
The port enables daisy chain connection of the inverters over the serial line (slave mode). The port can either be used for connecting supported accessories (like weather station, meter...): in this case data from accessories will be logged and transferred to the cloud by inverter itself (master mode).

3.12.2 Ethernet bus connection

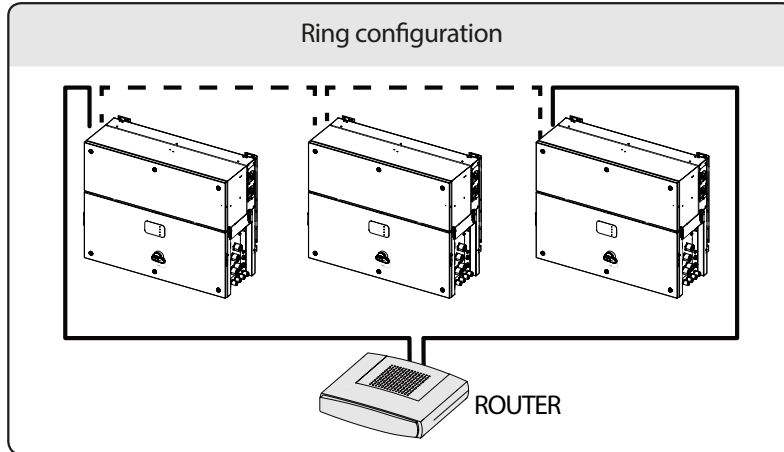
By default the 2 Ethernet ports (40) (41) of the inverters are already configured for enabling communication over daisy chain layout.

Once physically connected the inverters does not need specific settings: after the first turning on, the inverters automatically got all needed network parameters with or without the presence of DHCP server. If an internet connection is available on site the inverters are automatically configured to transmit telemetry data to Aurora Vision Cloud without the need of installing any additional device (logging capability are already integrated into the inverter by default).

ATTENTION – Aurora Vision Plant Management platform is the FIMER cloud solution allowing customer to remotely monitor and manage its own solar plants. Please refer to <http://www.fimer.com> or contact FIMER technical support for further information on how getting an Aurora Vision account

With the inverters connected over Ethernet daisy chain and with an available internet connection it will be always possible, via Aurora Vision Cloud, to upgrade remotely the firmware of the inverters.

In order to improve the communication services and allow reaching of all the inverters in the chain also in presence of fault it is recommended to create a ring shape layout by connecting both the first and the last inverters of the chain to the local Ethernet switch (as shown in the picture).



NOTE – Please refer to chapter 5 for further information about the installation.

3.13 Topographic diagram of the equipment

The diagram summarises the internal structure of the inverter.

The internal circuitry is with double stage conversion and therefore consists of:

- DC/DC input converter (booster)
- DC/AC output inverter

The DC-DC converter and the DC-AC inverter both work at a high switching frequency and are therefore small and relatively light related to output power.

The input converter is dedicated to multiple PV arrays with a maximum power point tracking (MPPT) function in order to maximize the energy harvesting from the photovoltaic generator.

This inverter version is of the type without transformer, that is without galvanic insulation between the input and the output. This allows ultimately an increase in conversion efficiency. The inverter is already equipped with all the protections necessary for safe operation and compliance with the norms, even without the insulation transformer.

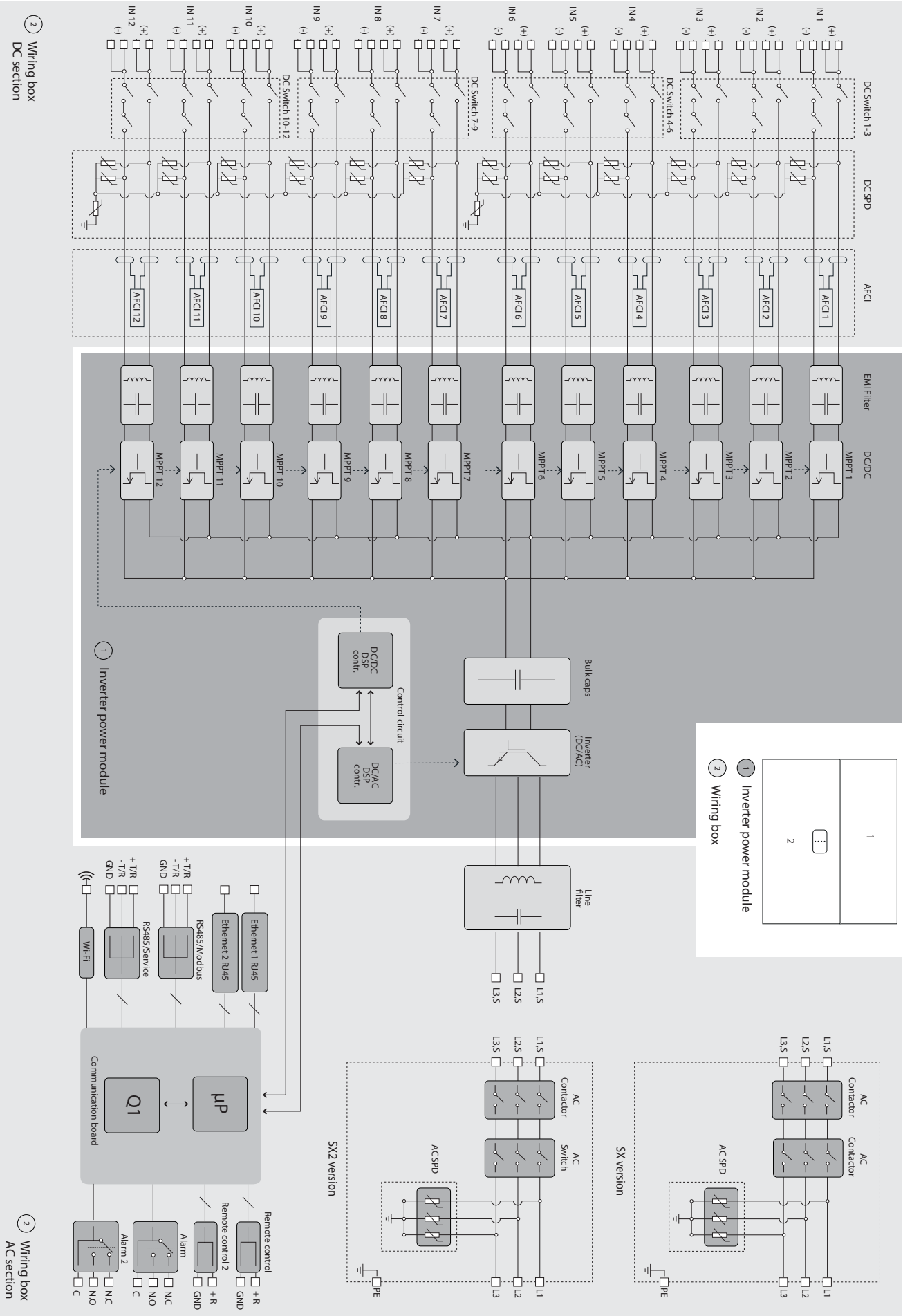
The operation and the protection management of the inverter is controlled by two independent DSPs (Digital Signal Processors) and a central microprocessor.

A dedicate microprocessor is used for user communication interfaces.

The connection to the distribution grid is thus kept under control by two independent DSPs, in full compliance with the electric field norms both for power supply to the systems as well as security.

The operating system carries out the task of communicating with its components in order to carry out data analysis.

In doing all this, we guarantee optimal operation of the whole assembly and a high performance in all irradiation conditions and always ensuring full compliance with the relevant directives, standards and regulations.



3.14 Safety devices

3.14.1 Anti-Islanding

In the event of a local grid outage by the electricity company, or when the equipment is switched off for maintenance operations, the inverter must be physically disconnected to ensure the protection of the people working on the grid, in accordance with the relevant national laws and regulations. To prevent possible islanding, the inverter is equipped with an automatic safety disconnection system called “Anti-Islanding”.

The method used to ensure an active anti-islanding protection is: active frequency drift in combination with RoCoF techniques.

NOTE – Anti-islanding protection mechanisms are different depending on the grid standards, even if they all have the same purpose.

3.14.2 Ground fault of the photovoltaic panels

Use this inverter with panels connected in “floating” mode, i.e. with no earth connections on the positive and negative terminals. An advanced ground fault protection circuit continuously monitors the ground connection and disconnects the inverter when a ground fault indicating the fault condition by means of the red “GFI” LED on the LED panel **(08)** on the front side of wiring box.

3.14.3 Overvoltage surge arresters

As an additional protection to prevent damage caused by the discharges from lightning and electrostatic induction phenomena, the wiring box is equipped with DC over-voltage surge arresters **(21)** and with AC over-voltage surge arresters **(23)**.

3.14.4 Other safeguards

The inverter is equipped with additional protective devices to ensure safe operation in any circumstance. These protections include:

- Constant monitoring of the grid voltage to ensure that voltage and frequency values remain within operating limits;
- Internal temperature control to automatically limit the power if necessary to prevent overheating of the unit (derating).

NOTE – The numerous control systems determine a redundant structure to ensure absolutely safe operations.

4. Lifting and transport

4

4.1 General conditions

NOTE – Some recommendation apply only to large size product or multiple small size product packaging.

4.1.1 Transport and handling

Transport of the equipment, especially by road, must be carried out with means for protecting the components (in particular, the electronic components) from violent shocks, humidity, vibration, etc. During handling, do not make any sudden or fast movements that can create dangerous swinging.

- Do not stack inverters during transportation: only a stack of 1 inverter (2 pallets) is acceptable.
- Be sure to secure inverters to side of truck with straps during transportation.
- Be careful not to drop or tip inverter pallets.
- Be careful not to stab inverter packaging with forks of fork lift.

4.1.2 Equipment weight

Device	Weight (kg/lb)	Lifting points	Holes for handles (optional) or Eyebolts UNI2947 (not supplied)
Power module (01)	76.5 kg / 168 lbs	4	M8. Kit of handles (04) (to be ordered)
Wiring box (02)	76.8 kg / 169 lbs	4	M8. Kit of handles (04) (to be ordered)

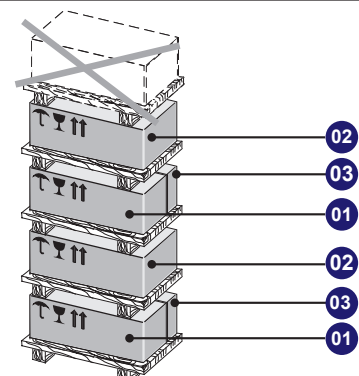
4.1.3 Storage

ATTENTION – DO NOT store the equipment (also valid for spare parts units) in a location exposed to severe weather conditions (e.g. rain, snow or a high level of humidity). Always comply with storage temperature indicated in “Characteristics and technical data” chapter in this manual.

If the package with the power module part is stored correctly, it can withstand a maximum load of 2 stacked units (power module+wiring box+bracket).

ATTENTION – O NOT stack with equipment or products other than those indicated.

ATTENTION – Accessory components are in separate packages and can be piled separately



4.1.4 Unpacking and checking

Packaging elements (cardboard, cellophane, staples, adhesive tape, straps, etc.) may cause cuts and/or injuries if not handled with care. They should be removed with the proper equipment.

NOTE – The components of the packaging must be disposed on in accordance with the regulations in force in the country of installation.

When you open an equipment package, check that the equipment is undamaged and make sure all the components are present. If any defects or damage are found, stop unpacking and consult the carrier, and also promptly inform FIMER Service.

4.1.5 Lifting

LIFTING – Risk of injury due to the heavy weight of the equipment!

FIMER usually stores and protects individual components by suitable means to make their transport and subsequent handling easier. Nonetheless, as a rule, it is necessary to turn to the experience of specialised staff to take charge of loading and unloading components.

The power module and the wiring box must be lifted using the 4 handles **(04)** (to be ordered) or alternatively using suitable lifting equipment.

The means used for lifting must be suitable to bear the weight of the equipment.

ATTENTION – The ropes and equipment used for lifting must be suitable for bearing the weight of the equipment.

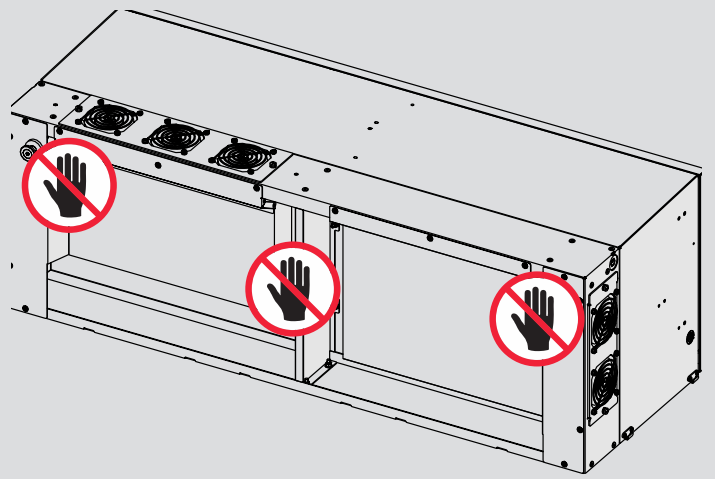
ATTENTION – In case of manual lifting the number of required operators necessary to lift the equipment must be in accordance to local regulations relating lifting limits per operator

ATTENTION – Do not lift several units or parts of the equipment at the same time, unless otherwise indicated.

The handles **(04)** must be mounted into the designated holes located on the enclosures. If lifting with ropes, M8 eyebolts can be mounted in the same holes.

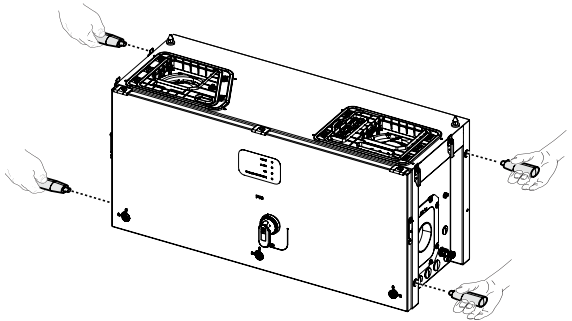
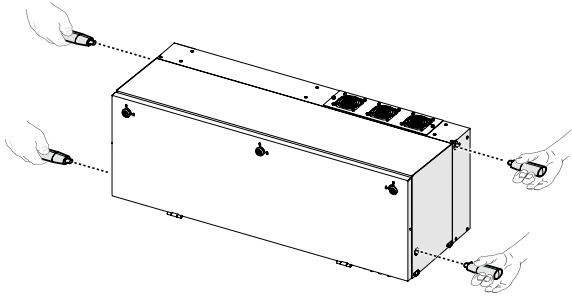
ATTENTION – Handling and installation operations shall be performed only by using the special tools and accessories provided with “PVS-175 Installation Kit” that has to be ordered separately. The use of these equipment are mandatory to safely install the inverter. Refer to “Kit of recommended spare parts” chapter content in the product manual for further information.

ATTENTION – DO NOT grab the equipment from the rear flange! Risk of injury due to sharp surfaces and risk of equipment damage. Always use proper lifting equipment!

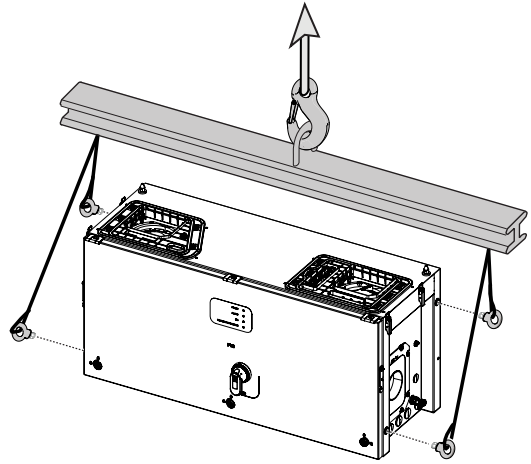
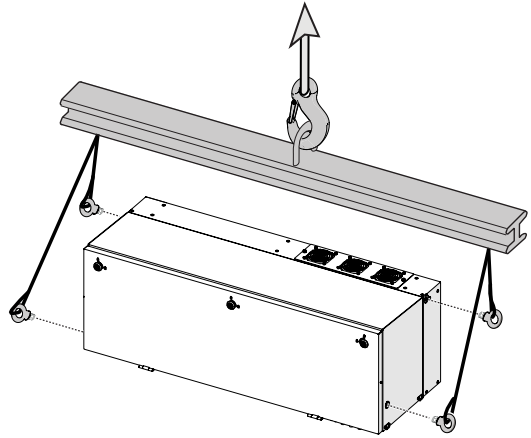


It is required to use one of the following lifting methods to move the equipment during installation or maintenance phases:

ATTENTION – Pay attention to completely tighten the thread of the handles or eye-bolts.

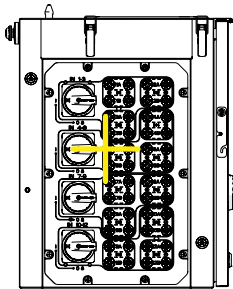
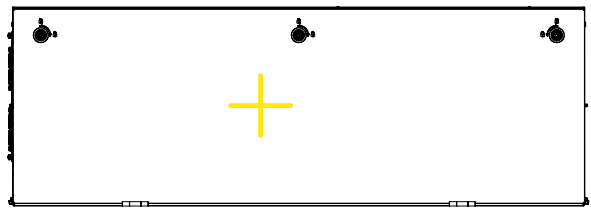
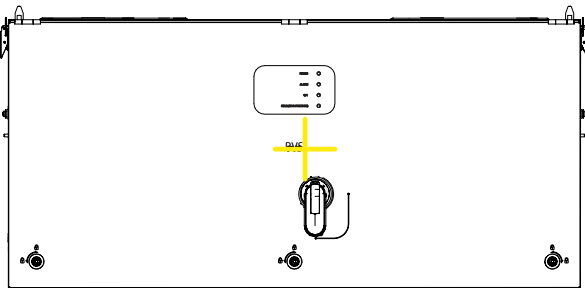


M8. Kit of handles (04) (to be ordered)

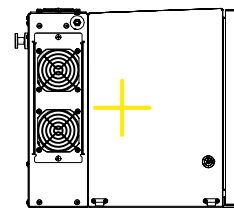


M8. Hole for Eyebolts UNI2947 (not supplied)
*lifting balancer must be 20 cm longer (per side) than the lifted device.

⚠ ATTENTION – Always consider the center of gravity of the enclosures while lifting.

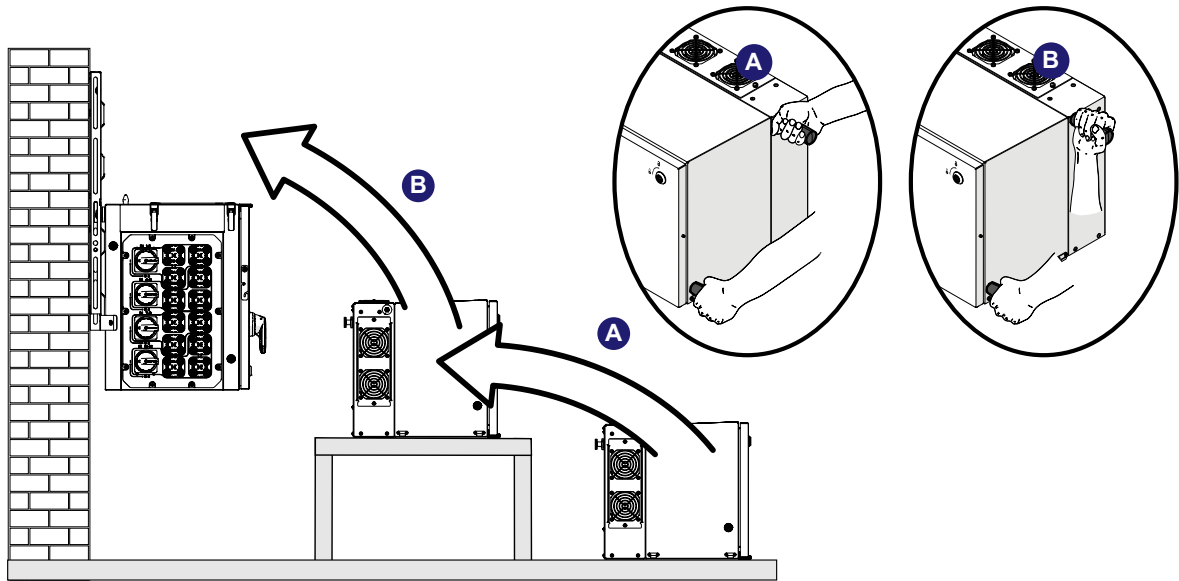


Center of gravity (wiring box)



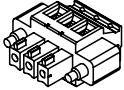
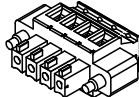



Center of gravity (power module)

⚠ ATTENTION – In case of manual lifting it's suggested to use a support plan (e.g. a table) to place the equipment during the lifting operation, to allow the change of hands position.



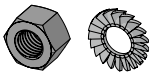



4.1.6 List of supplied components


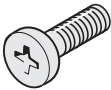
Available component on the wiring box (02) package:

Component	Quantity
 Multifunction and aux relay (33) connector (pre-installed on communication board (28))	2
 Remote ON/OFF (38) and RS485 (39) connector (pre-installed on communication board (28))	3
 M8 bolt and washers for EGC connection point (10)	1 + 1 + 1
 Key tool for front cover quarter cam-lock	1
 Technical documentation	

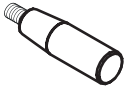

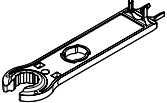
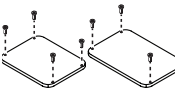

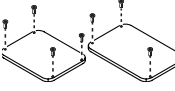
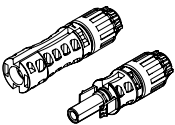
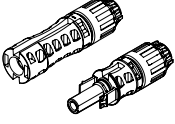
Available component on the power module (01) package:

Component	Quantity
 M6 bolts with washers for AC interface power cable connection point (phases)	3
 M5 bolts with washers for AC interface power cable connection point (MID BULK)	1
 M5 nut and washers for protective earth point interface cable (26)	1 + 2
 Sheathing for DC interface cables (18)	2

Available component on the bracket 03 package:

Component		Quantity
	M8 screws with washers for mechanically securing the half-brackets	2
	M6 screws for mechanically securing the wiring box to the bracket	2

4.1.7 Kit of recommended spare parts

Code	Description	Quantity
PVS-175 INSTALLATION KIT	Kit of handles (04) 	4
	Key tool for front cover quarter cam-lock 	1
	PV quick fit connector (17) disconnection tool 	1
	IP65 protection covers protection covers for wiring box openings (long term installation) with screws 	2 (with 8 screws)
EYEBOLTS KIT	Eyebolts for lifting 	4
PVS-175 IP65 COVERS KIT	IP65 protection covers protection covers for wiring box openings (long term installation) with screws 	2 (with 8 screws)
KIT SURGE DC SIDE PVS-175	Kit of spare cartridges for DC surge arresters type 2	6
KIT SURGE AC SIDE PVS-175	Kit of spare cartridges for AC surge arresters type 2	3
KIT MC4 EVO mating part (complete)	Quick fit connectors cable mating kit (24 couples) 	24 female 24 male
KIT MC4 EVO mating part (single channel)	Quick fit connectors cable mating kit (2 couples) 	2 female 2 male
PVS-175 FAN KIT	1 external fan sets for power module (DC/DC), 1 external fan sets for power module (AC/DC), 2 internal air circulating fans for wiring box	2 external fan sets 2 internal wiring box fans

5. Installation

5

5.1 Installation warnings

- ⚠ **ATTENTION** – The inverter must be correctly installed, in a suitable location, to operate properly and safely.
 - ⚠ **ATTENTION** – Staff authorised to carry out the installation must be specialised and experienced in this job. They must also have received suitable training on equipment of this type and must know and understand applicable NEC requirements and any local codes for photovoltaic systems.
 - ⚠ **ATTENTION** – Handling and installation operations shall be performed only by using the special tools and accessories provided with “PVS-175 Installation Kit” that have to be ordered separately. The use of these equipment are mandatory to safely install the inverter. Refer to “Kit of recommended spare parts” chapter for further information.
 - ⚠ **ATTENTION** – Installers must know and understand OSHA and other applicable safety requirements, including lockout/tagout procedures.
 - ⚠ **ATTENTION** – Remember that when the photovoltaic panels are exposed to sunlight they provide continuous DC voltage to the inverter. Before installation may begin, photovoltaic panels must be shaded or isolated.
 - ⚠ **ATTENTION** – Limit installation to licensed electricians experienced in PV plant wiring.
 - ⚠ **ATTENTION** – Obtain approval of the local AHJ before connecting the inverter to the electrical grid
 - ⚠ **ATTENTION** – The equipment owner must post the PPE level (per NFPA TDE-2012, Table 13
-
- ⚠ **WARNING** – The inverter panels/covers can be removed from authorized service personnel only. (the users is not authorized to remove inverter panels/covers).
 - ⚠ **WARNING** – It is important to remark the presence of auxiliary power supply connected to the AC grid. The inverter is supplied either by DC and AC power, so that the internal voltages are present even in case the DC switches are open.
 - ⚠ **WARNING** – The installation must be carried out with the equipment disconnected from any voltage sources. Refer to “Inverter total de-energization and safe access” chapter on this manual to know all the necessary step to safely operate on the inverter.

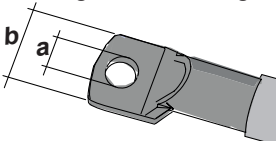
5.2 Installation planning

5.2.1 Characteristics of the protective grounding cable

⚠ ATTENTION – Size the cable(s) in accordance with NEC and any local codes.
⚠ ATTENTION – The wire must be large enough to handle the maximum ground fault current that the PV system might experience.
⚠ ATTENTION – The warranty is void if the inverter isn't connected to ground through the appropriate terminals.

Follow site wiring diagrams and grounding plans. At a minimum expect this to include:

- A PV array equipment ground conductor (EGC), to be landed on the EGC connection point **(10)** located on the external side of the inverter.
- A protective earth (PE) conductor, to be landed on the protective earth connection point **(55)**.

	Protective earth point (ext.) (10)	Protective earth connection point (55)
Cable lug dimensioning		
	for M8 Bolt	for M10 Stud
	a = 8.4 mm / 0.33" (min) b = all dimension accepted	a = 10.5 mm / 0.42" (min) b = 40mm / 1.57 (max)

5.2.2 Load protection breaker and RCD downstream of the inverter

To reduce the risk of fire, connect only to a circuit provided with an overcurrent protection in accordance with the NEC (ANSI/NFPA 70). The inverter must be connected only to a dedicated branch circuit provided with the maximum branch overcurrent protection device (OCPD):

	PVS-166-TL-US	PVS-175-TL-US
Type	Automatic circuit breaker with thermal-magnetic protection	
Nominal Voltage /Current	800 Vac / 150 A (*)	
Magnetic protection characteristic	Magnetic curve B/C	
Number of poles	3	

(*): please consider thermal and other derating when selecting the current rating of the protection equipment for your application.

⚠ ATTENTION – It is installer's responsibility to provide external disconnect switches and OCPD as required by NEC and other prevailing regulations.
⚠ ATTENTION – The inverter is designed without an isolation transformer and must be installed per NFPA 70, 690.35 with an ungrounded PV array.

In case of installation of a residual current protection, the device shall meet the following characteristics in order to prevent nuisance tripping due to capacitive leakage current of photovoltaic modules:

	PVS-166-TL-US	PVS-175-TL-US
Type	A / AC	
Sensitivity	2.0 A	

FIMER declares that the FIMER transformerless inverters, in terms of their construction, do not inject continuous earth fault currents and therefore there is no requirement that the differential protection installed downstream of the inverter be type B in accordance with IEC 60755 / A 2.

5.2.3 Characteristics and sizing of the line cable

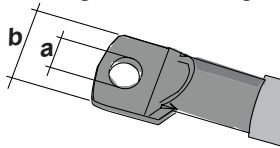
The cross-section of the AC line conductor cables must be sized in order to prevent unwanted disconnections of the inverter from the grid due to high impedance of the line that connects the inverter to the power supply; If the impedance is too high it causes an increase in the AC voltage which, on reaching the limit set by the standards in the country of installation, causes the inverter to switch off.

⚠ ATTENTION – The minimum required cross sectional area for the phases conductors is 50mm² / 0AWG.

The AC cables must be connected to the AC connection busbars (22) using a cable lug (not supplied) of a suitable size for installation on the M10 threaded studs used for securing the cable.

Single core cable	Multi-core cable
-------------------	------------------

Cable lug dimensioning



for M10 Stud

a = 10.5 mm / 0.42" (min)
b = 40mm / 1.57 (max)

⚠ ATTENTION – The AC connection busbars (22) are in copper tin-plated; therefore if aluminum cables are used, the correct coupling with the copper bars must be guaranteed by using appropriate bi-metallic cable lug.

5.2.4 Sizing the configurable relay (ALARM and AUX)

Different types of devices (light, sound, etc.) can be connected to the relay, provided they comply with the following requirements:

- Alternating current
Maximum Voltage: 240 Vac Maximum Current: 1 A
- Direct current
Maximum Voltage: 30 V DC Maximum Current: 0.8 A

The device (light, audible signal) to be connected at the other end of the wires will determine requirements for both the wire size and insulation type, and the N/O or N/C connection.

Wire requirements

Conductor cross-section: from 25AWG to 15AWG

5.2.5 Installation procedure for quick-fit connectors

The model of connectors installed on your inverter must be matched by the same model of the respective corresponding parts to be used (check the corresponding part on the manufacturer's website or with FIMER).

⚠ ATTENTION – Using mating parts that are not compliant with the quick fit connector models on the inverter could cause serious damage to the unit and lead to invalidation of the warranty.

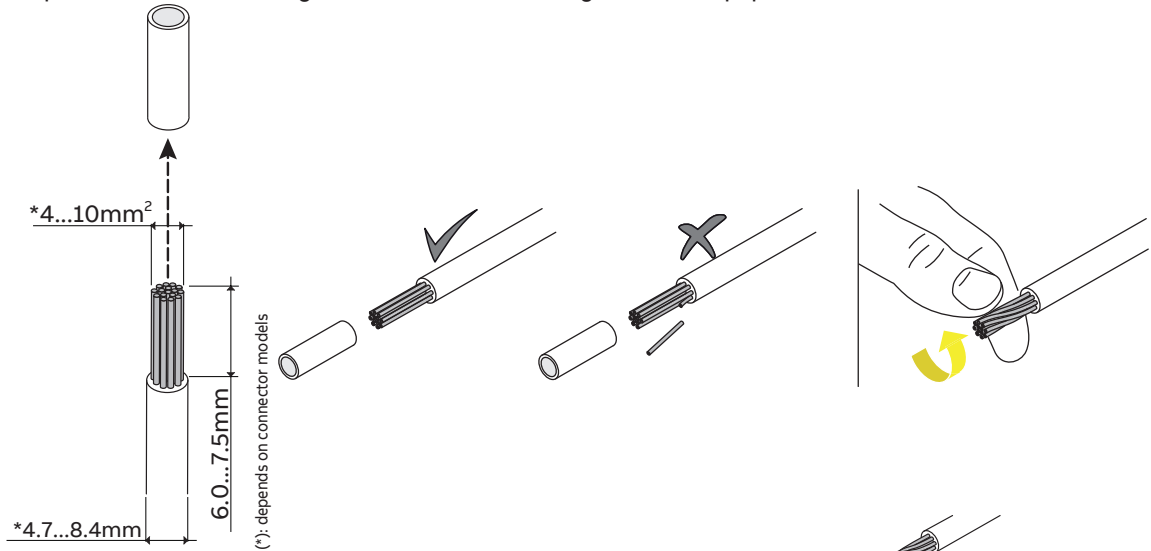
⚠ WARNING – To avoid damage to the equipment, when crimping cables to the connectors, pay particular attention to polarity.

⚠ ATTENTION – Complete assembly instructions and specification of quick-fit connectors could be find on manufacturer website.

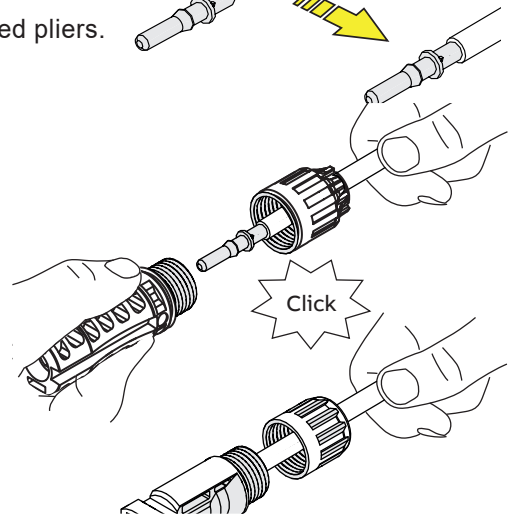
Input cables must meet the connector requirements (cable diameter, conductor cross section) and depends from connector models as shown in the table below:

Type	Manufacturer	Model and PN	Conductor cross section	Ø cable gland
Male	Stäubli	PV-KBT4-EVO 2		
		32.0087P0001-UR	4mm ² (11AWG) - 6mm ² (9AWG)	4.7-6.4 mm / 0,18-0.25"
		32.0089P0001-UR	4mm ² (11AWG) - 6mm ² (9AWG)	6.4 - 8.4 mm / 0.25-0.33"
		32.0093P0001-UR	10mm ² (7AWG)	6.4 - 8.4 mm / 0.25-0.33"
Female	Stäubli	PV-KST4-EVO 2		
		32.0086P0001-UR	4mm ² (11AWG) - 6mm ² (9AWG)	4.7-6.4 mm / 0,18-0.25"
		32.0088P0001-UR	4mm ² (11AWG) - 6mm ² (9AWG)	6.4 - 8.4 mm / 0.25-0.33"
		32.0092P0001-UR	10mm ² (7AWG)	6.4 - 8.4 mm / 0.25-0.33"

- Strip the cable over a length of 6,0 to 7,5mm using suitable equipment.

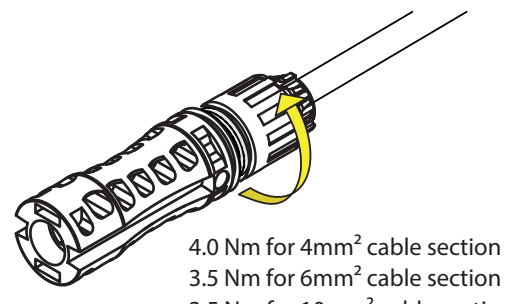


- Crimp the terminal to the conductor using the designated pliers.



- Insert the crimped terminal contact into the insulator body of the connector, until you hear the click indicating that the terminal is engaged inside the connector.

- Firmly tighten the cable gland using the relevant tool to finish the operation.



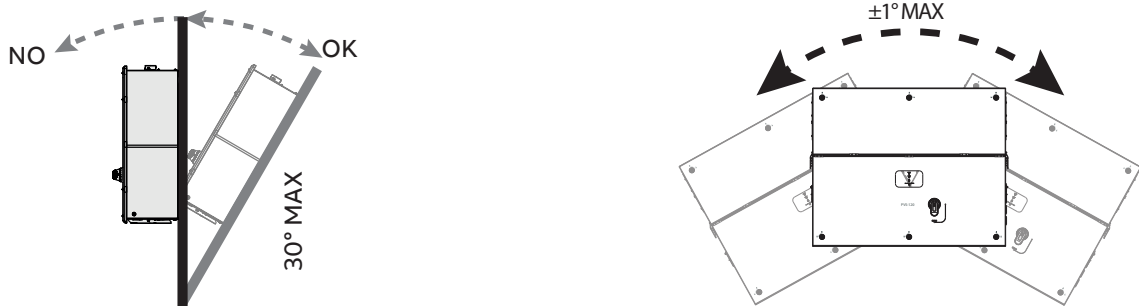
5.3 Installation site and position

5.3.1 General recommendation on installation position

- See characteristics and technical data paragraph to check the required environmental conditions (protection rating, temperature, humidity, altitude, etc.).
- The installation location shall be easily accessible.
- Installation of the unit in a location exposed to direct sunlight is NOT acceptable (add awning in case of direct sunlight installation).
- Installation in open environment subject to snow load is not advised (add awning to prevent excessive snow load)
- Installation on back of module racking structure is recommended
- Final installation of the device must not compromise access to any disconnection devices that may be located externally.
- Do not install in small closed rooms where air cannot circulate freely.
- Always ensure that the flow of air around the inverter is not blocked so as to prevent overheating.
- Do not install in locations where flammable substances or gases may be present (minimum distance 3 m).
- Do not install on wooden walls or other flammable supports.
- Install on a wall or strong structure suitable to bear the weight.
- Do not install in rooms where people live or where the prolonged presence of people or animals is expected, because of the high noise that the inverter produces during operation. The level of the sound emission is heavily influenced by where the appliance is installed (for example: the type of surface around the inverter, the general properties of the room, etc.) and the quality of the electricity supply.

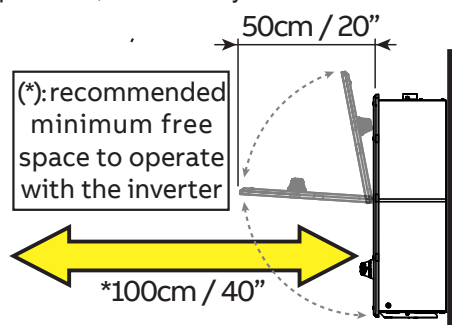
5.3.2 Tilting allowance

- The installation can be carried out with a maximum inclination as indicated in the figures below.

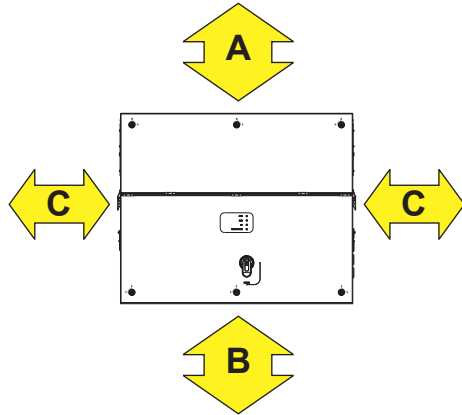


5.3.3 Distances

- Hardware and software maintenance on device entails opening the front cover. Check that the correct installation safety distances are observed in order to allow routine check and maintenance operations.
- Provide sufficient working space in front of the inverter that allows to open the front covers and to make the internal connections.
- Install at a height which takes into consideration the weight of the appliance and in a position which is suitable for servicing, unless suitable means are provided to carry out the operation.
- If possible, install at eye-level so that the status LEDS 08 can be seen easily.



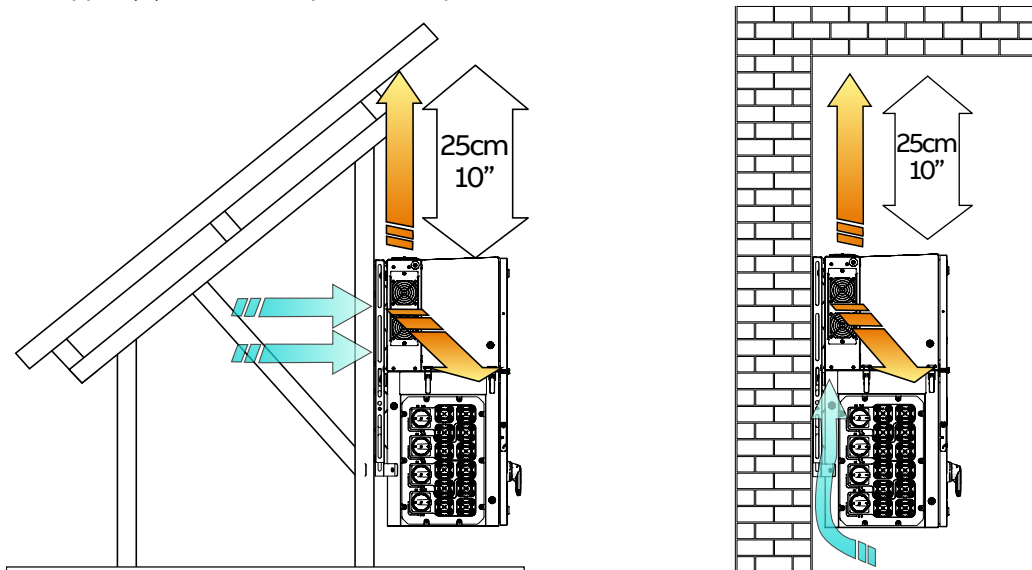
- Do not install any object (e.g. AC or DC cables) that could be damaged by overheating from outgoing hot air flow from top and side fan sections ($\Delta T = +15\text{ }^{\circ}\text{C}$ compared to ambient temperature). In case of this kind of installation needs, please evaluate the installation of a proper air deflector. Always respect the minimum distances required.
- Respect the minimum distances from objects around the inverter that could prevent the inverter installation and restrict or block the air flow.



The minimum clearance distances depends from multiple factor:

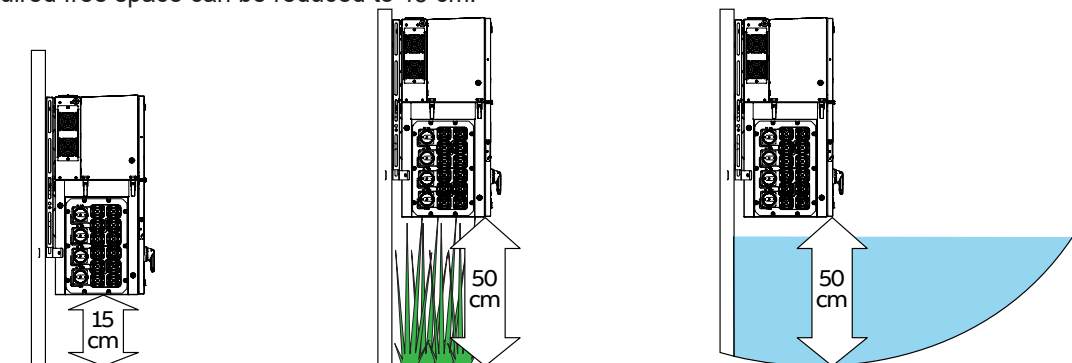
1. Ventilation flow on the top side of the inverter.

The upper (A) minimum required free space must be 25cm.



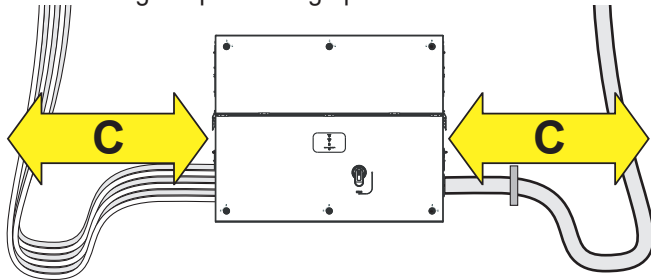
2. Possible flooding or damage during grass cutting.

If the inverter is installed in a place where there are risks of flooding or there is need to cut the grass growing underneath the unit, the bottom (B) minimum recommended free space is 50 cm; otherwise the required free space can be reduced to 15 cm.



- 3. Cables bending radius.

The minimum required free space for proper ventilation of the unit (near side fans) cannot be under 15 cm on the right side and 30cm on the left side. Sides (C) minimum required free space may depends from conduit or cable type (cable dimension, bending radius, etc..). This evaluation must be done by the installer during the plant design phase.

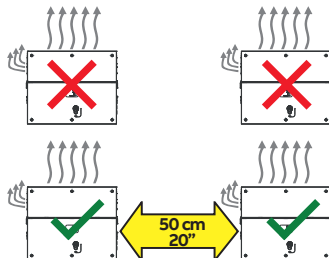
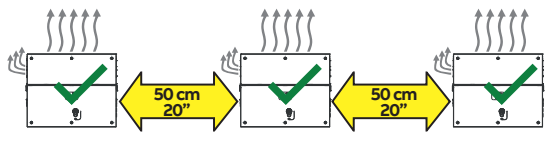


⚠ **ATTENTION** – In case of manual installation, using handles (04), consider a free side space to lift the inverter of 60 cm minimum.

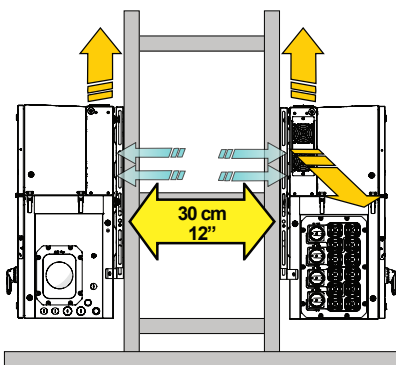
⚠ **ATTENTION** – In case of installation with lifting equipments (eyebolts and ropes) the side distances (C) could be reduced at the minimum required but a subsequent manual lifting will no longer be possible: in this case the lifting equipments must remain available on the field for any subsequent operation.

5.3.4 Installation of multiple units

- When installing multiple units position the inverters side by side paying attention to keep the minimum clearance distances (measured from the outer edge of the inverter) for each inverter specified in the figure.



- The installation of two inverters positioned back to back is also permitted on a structure which must be composed of 2 or 3 frame supports (refer to “Mounting with a support bracket” chapter). In this case the minimum recommended distance between the units in order to avoid the use of an air deflector is 30cm.



⚠ **ATTENTION** – Please refer to the warranty terms and conditions to evaluate any possible warranty exclusions due to improper installation.

5.3.5 Wireless signal environmental checks

The inverter can be commissioned and monitored using the wireless communication channel. The WLAN board of the inverter uses radio waves to transmit and receive data, it is therefore important to assess this factor in order to have optimal installation.

Walls in reinforced concrete and surfaces covered with metal (doors, shutters, etc.) might significantly reduce the reach of the device which even in optimal conditions, is approximately 40 metres in free space.

It is therefore recommended that before installing the inverter, the strength of the wireless signal is checked, using a mobile device (smartphone, tablet or notebook) and connecting to the wireless router from a position which is close to the intended installation position of the inverter.

The radio signal level between the inverter and the wireless router can be improved in a number of ways:

1. Find a new position for the router considering the different types of materials which the radio signal will have to pass through

Material	Relative signal reduction
Open field	0% (strength of approximately 40 metres)
Wood / Glass	From 0 to 10%
Stone / Plywood	From 10 to 40%
Reinforced concrete	From 60 to 90%
Metal	Up to 100 %

The quality of the RF signal can be assessed during the installation stage where the signal is displayed in dBm.

2. Install a wireless signal repeater and place it in an area between the inverter and the router, trying to make sure that the most critical obstacles are avoided.

5.3.6 Installations above 2000 metres

On account of the rarefaction of the air (at high altitudes), particular conditions may occur that should be considered when choosing the place of installation:

- Less efficient cooling and therefore a greater likelihood of the device going into derating because of high internal temperatures.
- Reduction in the dielectric resistance of the air which, in the presence of high operating voltages (DC input), can create electric arcs (electrical discharges) that may damage the device. As the altitude increases, the failure rate of some electronic components increases exponentially because of cosmic radiation.

⚠ ATTENTION – All installations at altitudes exceeding 2000 metres are not recommended on the basis of the criticalities indicated above.

5.3.7 Installations with a high level of humidity

⚠ ATTENTION – Never open the inverter in the case of rain, snow or a level of humidity >95%.

⚠ ATTENTION – Always carefully seal all unused openings.

Even though the device is equipped with an anti-condensation valve, air with extremely high levels of humidity can lead to the creation of condensation inside the inverter.

As the inverter is almost completely insulated from the outside, condensation can also form after installation in certain weather conditions.

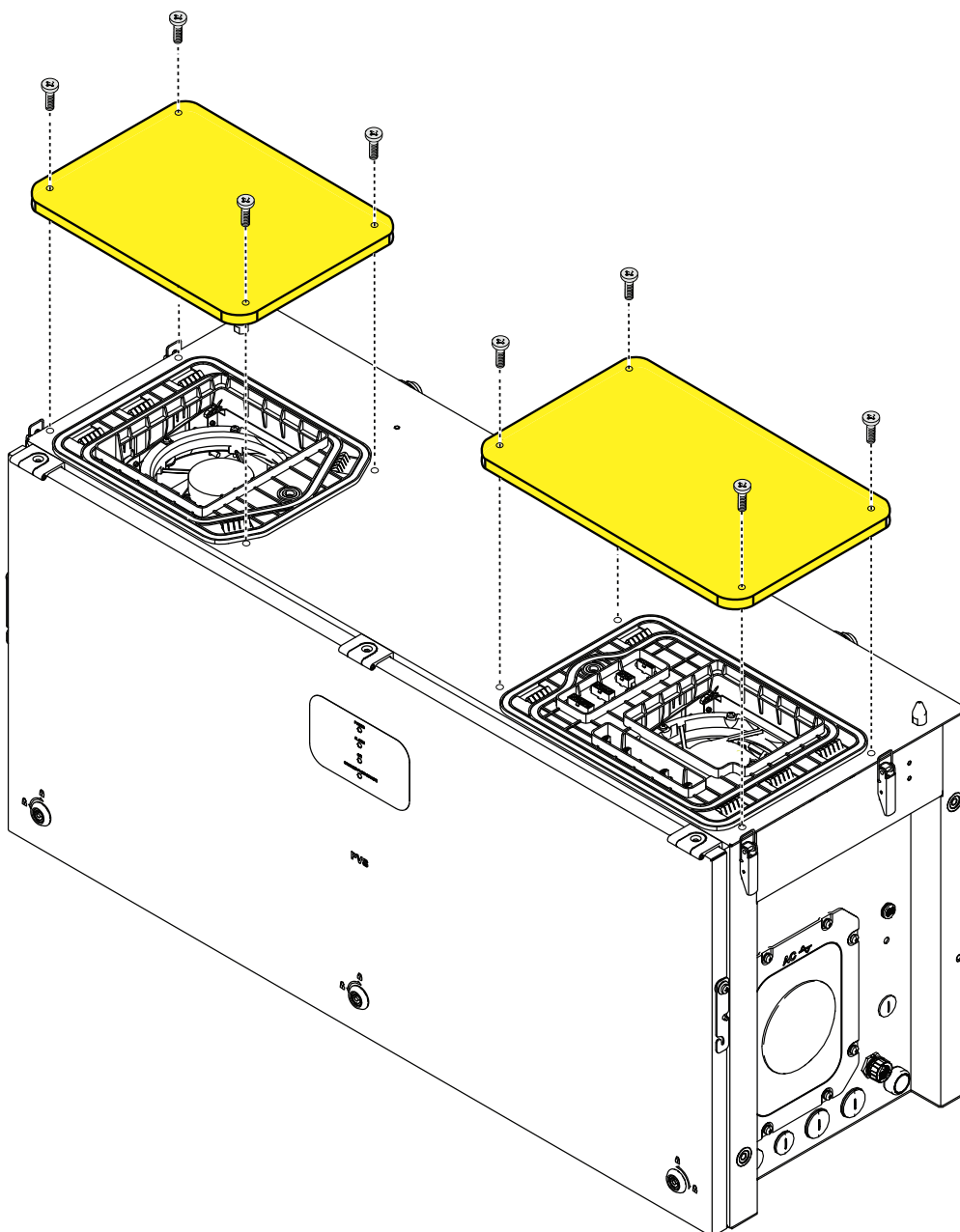
5.4 Installations of IP65 protection covers for wiring box openings (long term installation)

Never leave the power module 01 or the wiring box 02 disassembled on the field.

In case is necessary to install the wiring box 02 only, protection covers for wiring box openings (long term installation) kit is available as accessory options.

To install the protection covers place them over the wiring box openings and fix it using the 8 x M5 screws provided with the accessory kit.

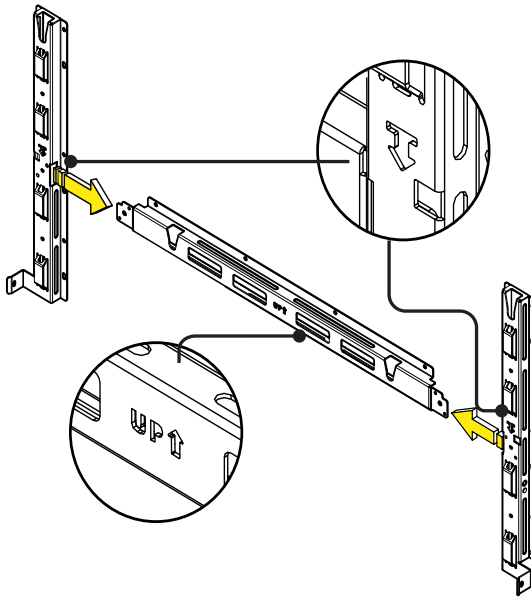
⚠ ATTENTION – Some wiring box parts may be subject to voltages that could be hazardous for the operator. Before performing any work on the inverter, refer to “Inverter total de-energization and safe access” chapter on this manual to know all the necessary step to safely operate on the inverter.



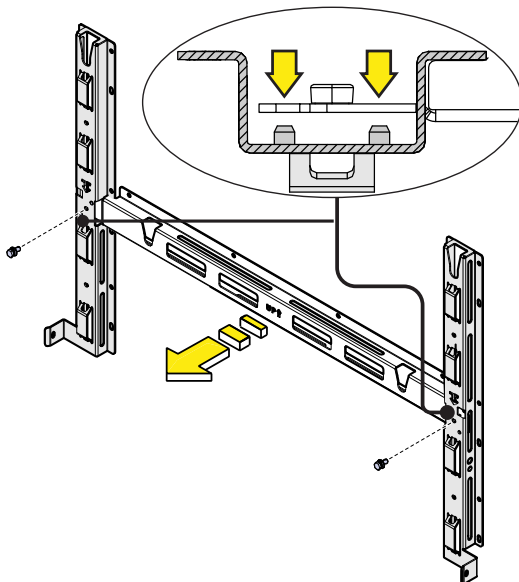
5.5 Mounting Instruction

5.5.1 Bracket (03) assembly

- Assemble the two side bracket pieces together with the central bracket, by sliding it as shown in the picture and paying attention to the orientation of the pieces (refer to arrow and "UP" markings on the brackets): side brackets arrow have to be turned downwards, central bracket have to be turned upwards.



- Slide the central bracket in order to match the two holes with the centering pins of the side brackets.
- Use the two M8 screws with flat and spring washers (supplied) to fix the pieces of the bracket together.

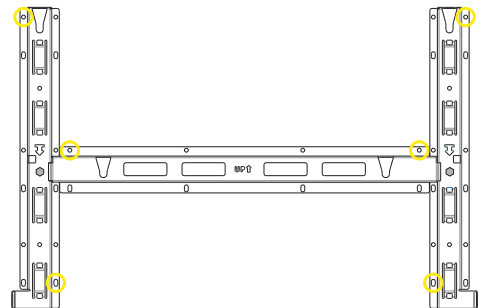


- Position the bracket (03) perfectly level on the support and use it as drilling template. Consider the overall dimensions of the power module (01) and the wiring box (02).
- It is the installer's responsibility to choose an appropriate number and distribution of attachment points. The choice must be based on the type of support (wall, frame or other support), the type of anchors to be used, and their ability to support 4 times the inverter's weight ($4 \times 153\text{Kg} = 612\text{Kg}$ for all models).
- Attach the bracket (03) to the support with at least 6 attachment screws (shown in RED) or at least 6 frame fixing bracket for frame mounting (shown in BLUE).

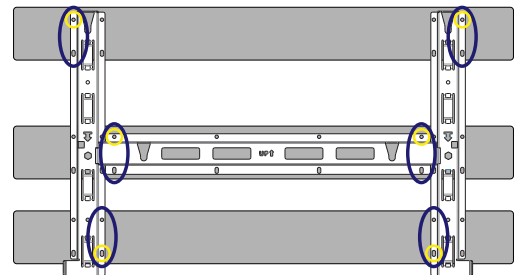
Depending on the type of anchor chosen, drill the required holes to mount the bracket (03).

The pictures shown the recommended minimum fixing point depending to the type of support.

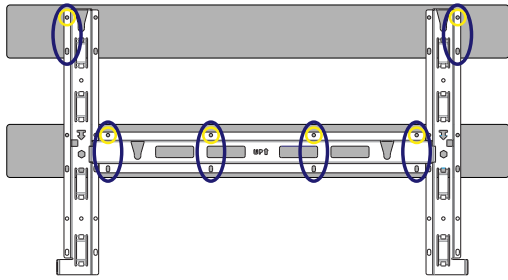
Wall/Floor mounting minimum fixing points:



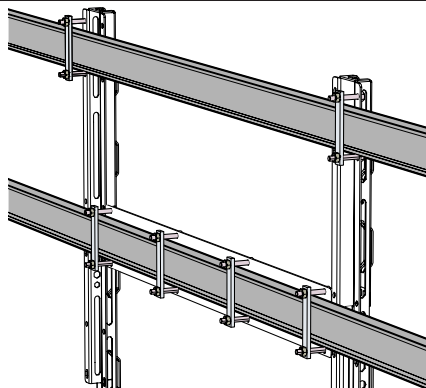
Frame mounting (3 supports) minimum fixing points:



Frame mounting (2 supports) minimum fixing points



NOTE – In case of use of “frame fixing brackets” (see picture as example) it will be possible to fix the bracket to the frame structure without drilling any additional holes.



- Fix the bracket (03) to the support.

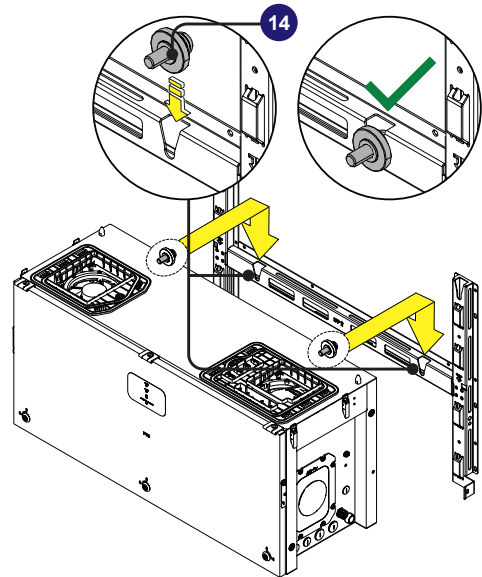
5.5.2 Assembly of inverter to the bracket

- Lift the wiring box (02) up to the bracket using the optional handles (04) or another appropriate lifting device.

LIFTING – Risk of injury due to the heavy weight of the equipment.

- Insert the heads of the two rear attachment pins (14) (placed on the rear part of the wiring box) into the two slots on the bracket.

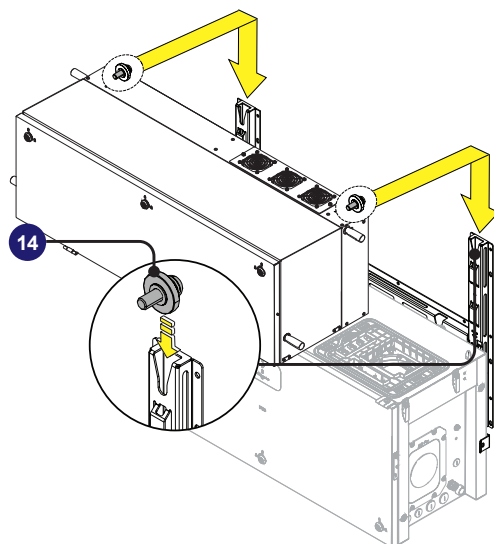
ATTENTION – Check that the pins (14) have been correctly inserted in the slots as shown in the picture before releasing the wiring box.



- Remove handle or other lifting device (if used)
- Lift the power module (01) up to the bracket (03) and over the wiring box (02), using the handles (04) or the M8 eyebolts.

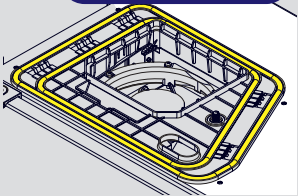
LIFTING – Risk of injury due to the heavy weight of the equipment. Always consider the center of gravity of the enclosures while lifting.

- Insert the heads of two rear attachment pins (14) (placed on the rear part of the power module) into the slots on the bracket.

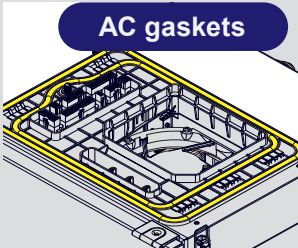


⚠ ATTENTION – During this installation phase pay special attention to not damage the gaskets on the AC and DC coupling system.

DC gaskets



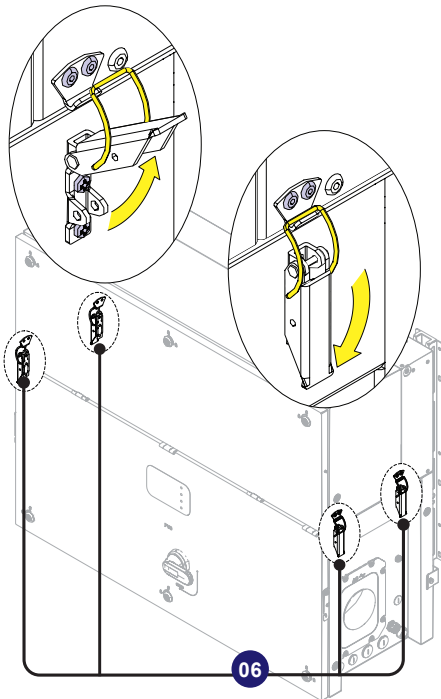
AC gaskets



Any damage on the gaskets could cause serious fault to the unit and will lead to the invalidation of the warranty.

- Fasten all of the four side latches (06).

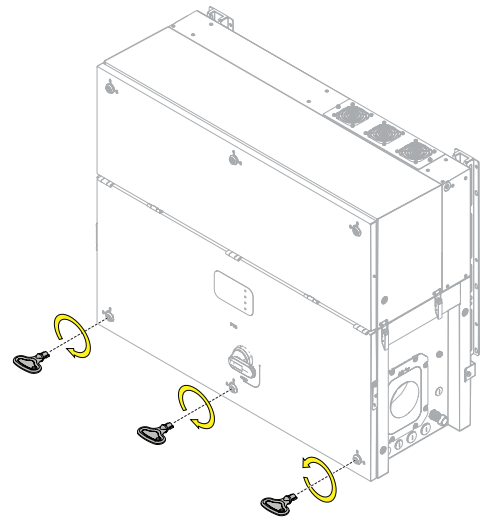
⚠ ATTENTION – Risk of injury due to the high strengt of latches (06). Use the proper protection gloves.



5.5.3 Opening the Wiring box cover

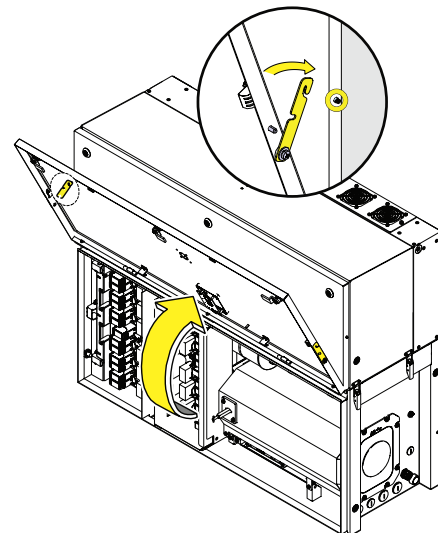
- Using the key tool (provided with the kit contained in the wiring box package), open the three cover quarter cam locks (05) following the proper rotation as shown in the related silkscreens on the Wiring box cover (07).

📌 NOTE – Only for -SX2 version. Set the wiring box AC disconnect switch (09) to OFF position; otherwise it will not be possible to open the wiring box cover (07).



- Open the Wiring box cover (07) and use the cover support brackets (15) to lock the cover (07) in open position.

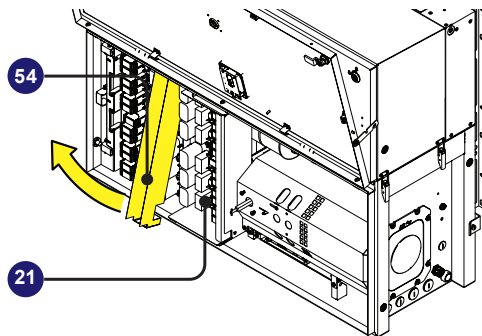
📌 NOTE – Pay attention to properly secure the cover support brackets (15) in order to avoid damaging of the cover!



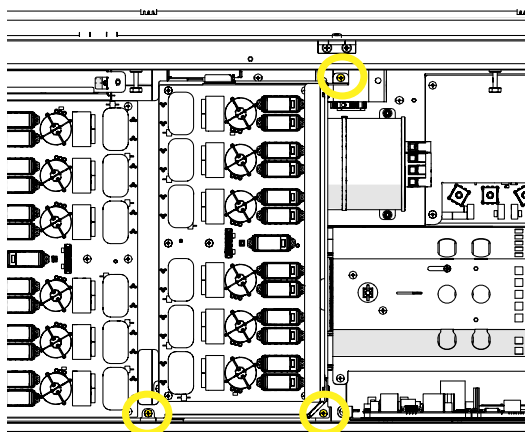
5.5.4 Final fastening operations

To reach the two junction screws (20) and complete the power module (01) and wiring box (02) mating, the DC surge arrester plate (21) have to be opened as follow:

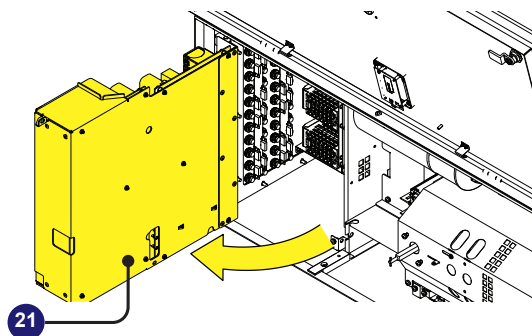
- Remove the cable duct (54) from the DC surge arrester plate (21).



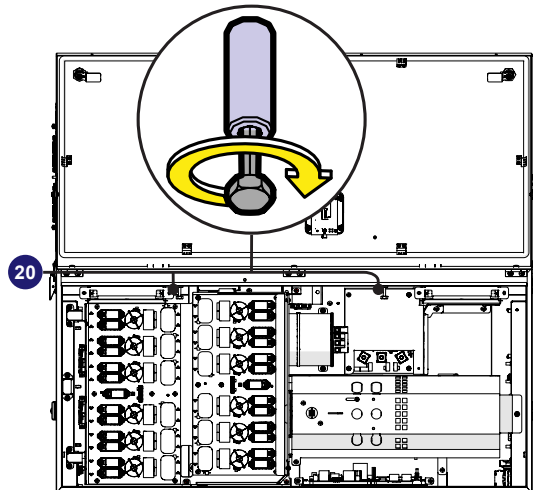
- Remove the three M5 screws from the DC surge arrester plate.



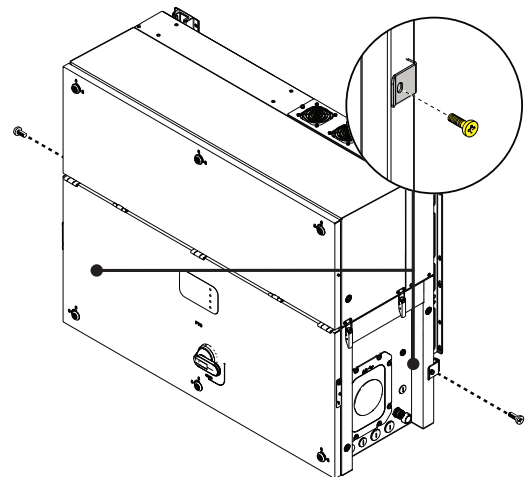
- Rotate the DC surge arrester plate (21).



- Tighten the two hexagonal junction screws (20) with a torque of 12Nm (8.9 ft-lb).



- Close the DC surge arrester plate and install the three M5 screws previously removed.
- Install the cable duct (54) previously removed to the DC surge arrester plate (21).
- Tighten the two side screws (supplied) to torque of 5Nm (3.7 ft-lb), to avoid the tilting of the bottom part of the inverter.

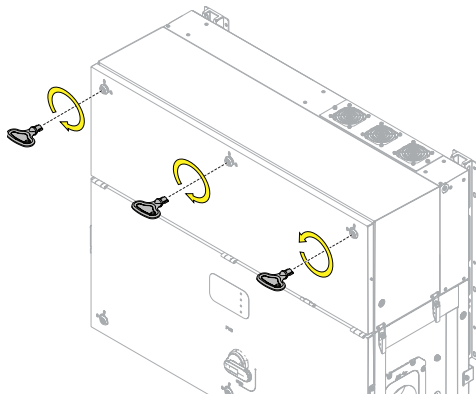


5.5.5 Opening the Power module cover

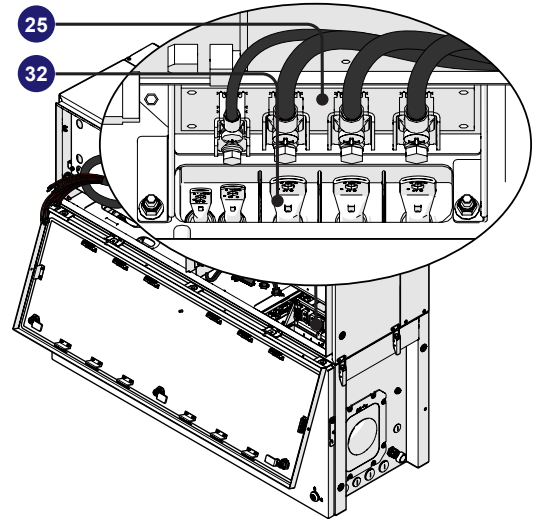
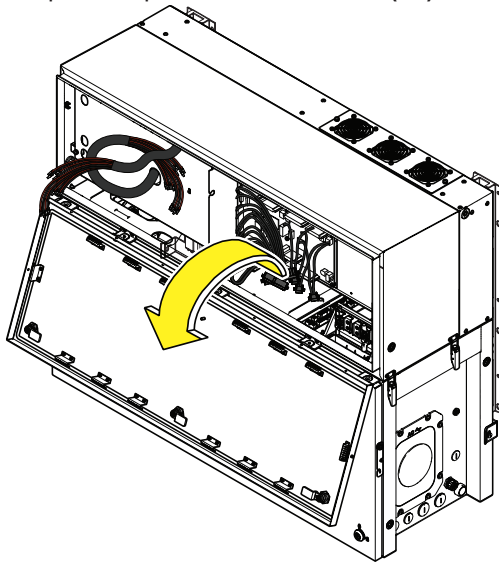
- Using the key tool (provided with the kit contained in the wiring box package), open the three cover quarter cam locks (05) following the proper rotation as shown in the related silkscreens on the power module cover (50).

5.5.6 Connection of the AC interface power cables

The AC interface power cable (32) (RST phases, PE and MID BULK) are situated into the cable housing on the top side of wiring box (02).

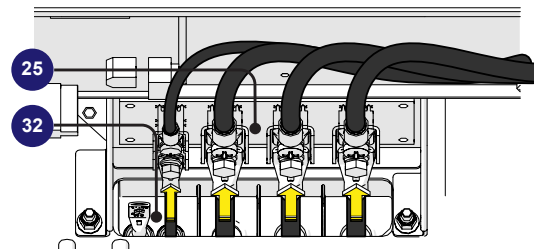


- Open the power module cover (50).



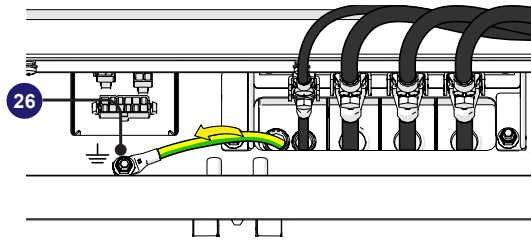
- Install the R, S and T phases and MID BULK cable (coming from the wiring box) to the respective AC interface connection point (25) inside the power module, paying attention to the correspondence of the phases with the labels, using the M6 bolts (for phases) and the M5 bolt (for MID BULK) supplied in the power module installation kit as below:

⚠ ATTENTION – The cable lugs must be installed with a recommended torque of:
 M6 bolt (R,S,T phases) = 4Nm (3 ft-lb)
 M5 bolt (MID BULK) = 3Nm (2.2 ft-lb)

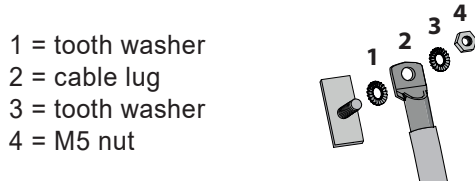


⚠ ATTENTION – In case of a wrong phase sequence the inverter will not connect to the grid and it will provide an error state.

- Install the protective earth cable lug to the protection earth point interface cable (26) situated on the internal bottom side of power module (01).



Use the washers and bolt supplied in the power module installation kit:



⚠ ATTENTION – The cable lug must be installed with a recommended torque of 3Nm (2.2 ft-lb).

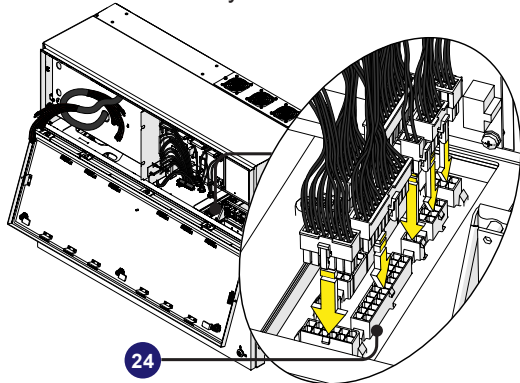
📄 NOTE – Any failure of the inverter when it is not connected to earth through the appropriate connection point is not covered by the warranty.

5.5.7 Connection of the interface signal connectors

The interface signal cables (24) are situated into right side of power module (01) and they are composed by 8 connectors.

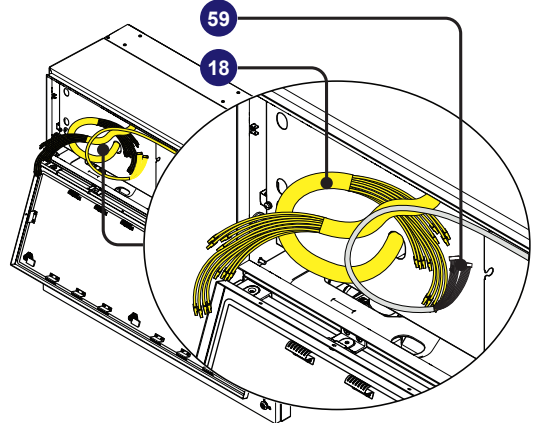
- Connect all the interface signal cables (24) (push the connector until you hear a locking “click”).

All connectors have a different pin-out in order to avoid any connection error.

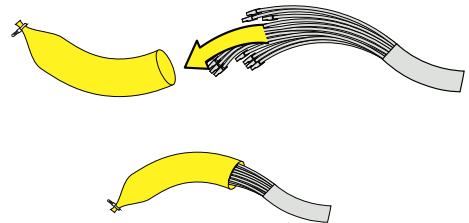


5.5.8 Connection of the DC and AFD interface cables

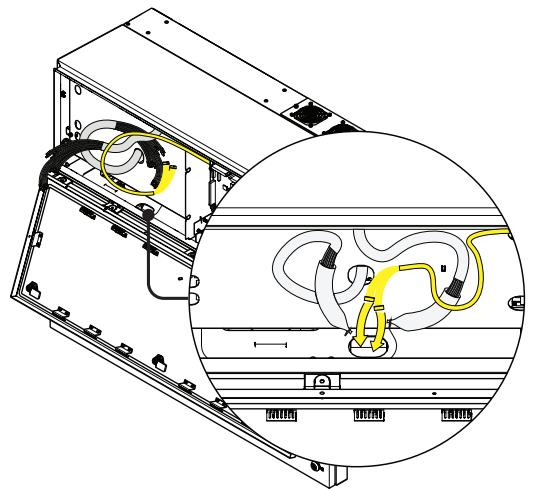
The DC interface cables (18) and AFD interface cables (59) are situated into left side of Power module (01).



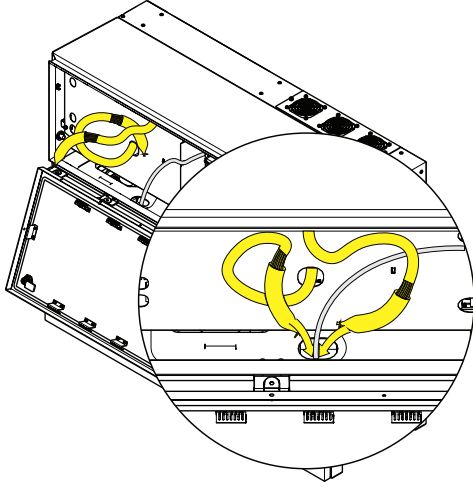
- Wrap the DC interface cables (18) with the two cable sheaths supplied in the wiring box installation kit.



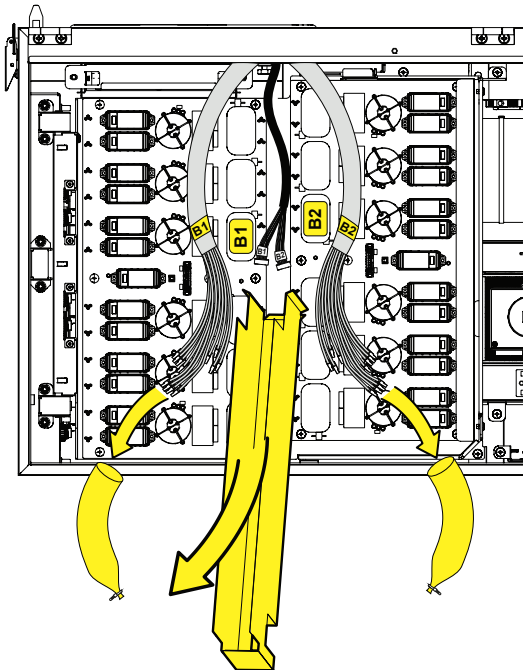
- Remove the cable tie from the AFD interface cables (59) and pass them into the wiring box using the dedicated opening for interface cables.



- Pass the DC interface cables (18) into the same dedicated opening used for the AFD interface cables.



- Close the power module cover (50) and open the wiring box cover (07).
- Remove the cable sheathing from the DC interface cables (18) and the cable duct (54) from the DC surge arrester plate (21).

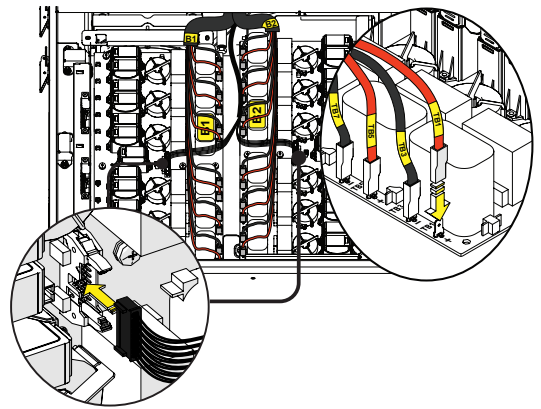


- Connect the two AFD interface cables to the related ARC fault connectors (19) located in the DC surge arrester plate.

- Connect all DC interface cables (18) to the related DC interface connection point connectors located in the DC surge arrester plate (21).

The two cable groups are marked with identification label “B1” and “B2” that correspond to the DSP board number label (“B1” and “B2”).

Each single cable DC is marked with a label corresponding to related DC interface FASTON connectors on the DSP boards (E.g. “TB1”, “TB3”...).



WARNING – Polarity inversion can cause serious damage. Check polarity before connecting each cable!

WARNING – Always check correspondence of cables and board FASTON connectors identification!

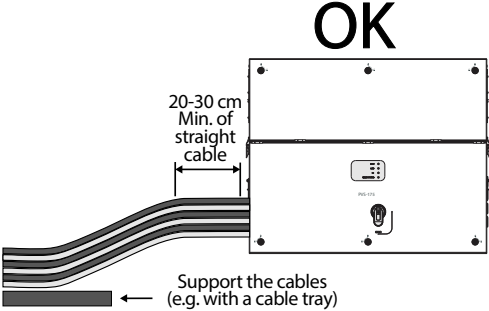
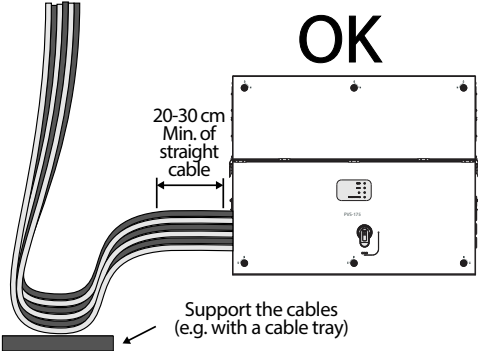
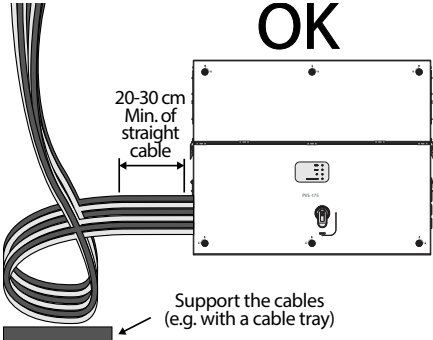
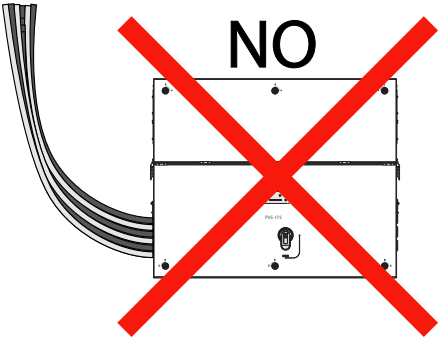
5.6 Routing the cable to the inverter

Cables should be routed in a manner which prevents water from dripping on the DC input connectors (16).

Especially when coming from the top, the DC cables must be routed in order to create a loop: in this way the water that flows on the cables will be drained.

The DC conductors must be anchored or supported in order to prevent loading and mechanical stress on the cable glands and quick fit connectors causing potential damage on the DC plate.

Examples of improper and proper cable routing are shown in the figures:



5.7 Grid output connection (AC side)

⚠ WARNING – To avoid risks of electrical shock, all wiring operations must be carried out with the disconnect switch downstream of the inverter (grid side) opened and applying LOTO procedure on it. Be careful not to change round one of the phases with neutral!

⚠ ATTENTION – Caution! Connect the ground before starting the grid connections.

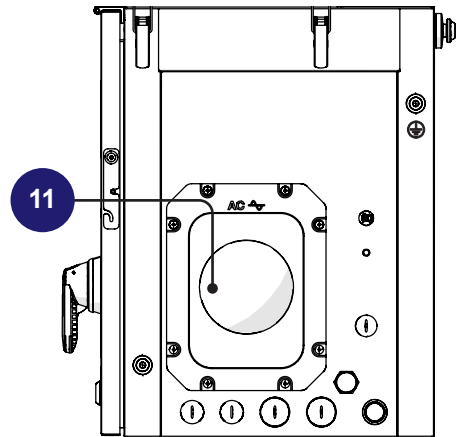
⚠ ATTENTION – Keep the resistance of the wires to a minimum between the OCPD and the AC terminals, to ensure the correct work of the protective devices.

⚠ ATTENTION – Size conductors per NEC Article 310 - use 90°C wire only; conductors must be sized according to operating temperature range and continuous current ratings.

⚠ ATTENTION – AC output wire must be UL listed wire rated minimum 1000V.

The inverter must be connected to a three-phase TN system with the center of the star connected to ground. To connect the inverter to the grid it is necessary to use a three-wire connection (3 phases) without neutral cable.

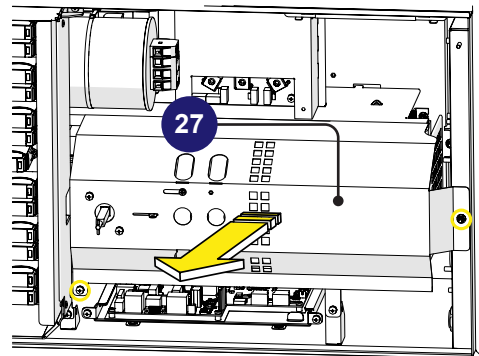
- Routing of the AC cables inside the inverter must be carried out through the AC opening (size 3 in conduit) **(11)** on the right side of the inverter.



⚠ ATTENTION – Use UL Listed reduction washers in case of smaller conduit used to maintain Type 4 enclosure integrity.

- Open the wiring box front cover **(07)**.

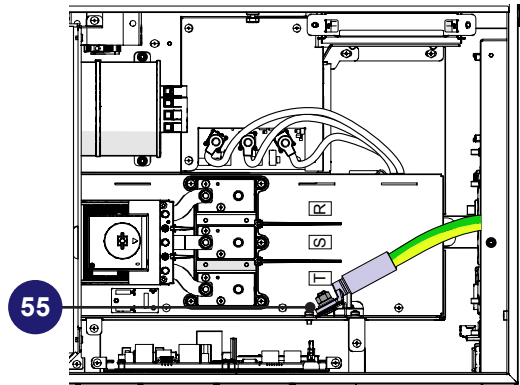
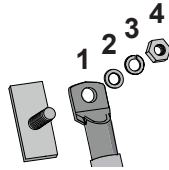
- Remove the AC protective shield **(27)** by removing the M5 screw and the M5 nut.



- Pass the protective earth cable through the AC opening (size 3" conduit) **(11)** on the AC panel.

- Attach the protective earth cable lug to the protection earth connection point **(55)** using the washers and bolt pre-installed on the M10 stud:

- 1 = cable lug
- 2 = flat washer
- 3 = spring washer
- 4 = M10 nut



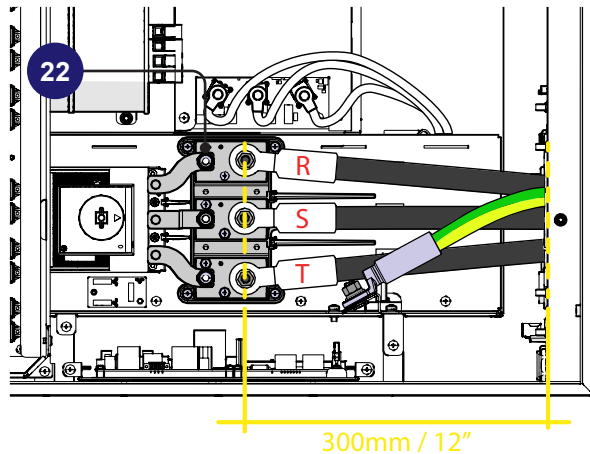
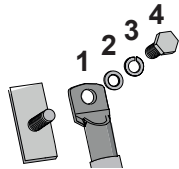
- Torque to 21Nm (15.5ft-lb).

⚠ ATTENTION – Before connecting the inverter to AC sources use a suitable multimeter to test the conductivity of the earth connections between the protection earth connection point **(55)** and a handles thread **(04)** on the housing of power module **(01)**.

- Pass the AC cables through the AC opening (size 3 in conduit) **(11)** on the AC panel. The length of phase cables on the internal side of wiring box needs to be about 300mm / 12" (cable lug included).

- Attach the R, S and T (phase R=L1, S=L2 and T=L3) cable lugs to the AC connection busbars **(22)**, paying attention to the correspondence of the phases with the labels, using the washers and the M10 nuts pre-installed on the busbar:

- 1 = cable lug
- 2 = flat washer
- 3 = spring washer
- 4 = M10 nut



- Torque to 14Nm (10.3ft-lb).

⚠ ATTENTION – In case of a wrong phase sequence the inverter will not connect to the grid and it will provide an error state.

- Give each wire a pull test to confirm the connection is secure.

⚠ ATTENTION – Conduit must be attached using EMT liquid tight fittings to maintain Type 4 enclosure integrity.

5.8 Checking the correct polarity of the strings and Input connection (DC)

⚠	HOT SURFACE – Do not place objects of any kind on the inverter during operation!
⚠	HOT SURFACE – Do not touch the heatsink while the inverter is operating! Some parts may be very hot and cause burns.
⚠	WARNING – To avoid risks of electrical shock, all wiring operations must be carried out with the DC disconnect switch internal and external (applying LOTO procedures on it) to OFF position and with the external AC disconnect switch to OFF position (applying LOTO procedures on it).
⚠	WARNING – The DC disconnect switch disconnects the DC current from the PV panels in the “OFF” position. The inverter will stop producing power, but DOES NOT disconnect the AC from the grid.
⚠	WARNING – In case of presence of internal DC disconnect switch only, there will be live parts internal to the inverter with a consequent risk of electrical shock.
⚠	WARNING – Confirm the PV array’s input polarity is correct.
⚠	WARNING – Confirm the PV array has no ground leakage current.
⚠	WARNING – The transformerless design of the inverter requires that the PV array to be floating with respect to ground per NEC 690.35. Per NEC 690.35, wires from the PV array must be UL-listed, 1500V minimum rating, 90°C minimum temperature rating.

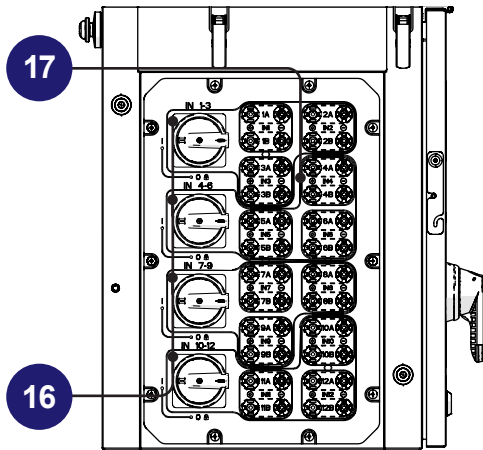
For the string connections it is necessary to use the DC input quick fit connectors **(17)** located on the left side of the wiring box **(02)**.

Type	Manufacturer	Model	P/N	Conductor cross section	Ø cable gland
Male	Stäubli	PV-KBT4-EVO 2	32.0087P0001-UR	From 4mm ² (11AWG) to 6mm ² (9AWG)	From 4.7 (0,18”) to 6.4 mm (0.25”)
			32.0089P0001-UR	From 4mm ² (11AWG) to 6mm ² (9AWG)	From 6.4 (0.25”) to 8.4 mm (0.33”)
			32.0093P0001-UR	10mm ² (7AWG)	From 6.4 (0.25”) to 8.4 mm (0.33”)
Female	Stäubli	PV-KST4-EVO 2	32.0086P0001-UR	From 4mm ² (11AWG) to 6mm ² (9AWG)	From 4.7 (0,18”) to 6.4 mm (0.25”)
			32.0088P0001-UR	From 4mm ² (11AWG) to 6mm ² (9AWG)	From 6.4 (0.25”) to 8.4 mm (0.33”)
			32.0092P0001-UR	10mm ² (7AWG)	From 6.4 (0.25”) to 8.4 mm (0.33”)

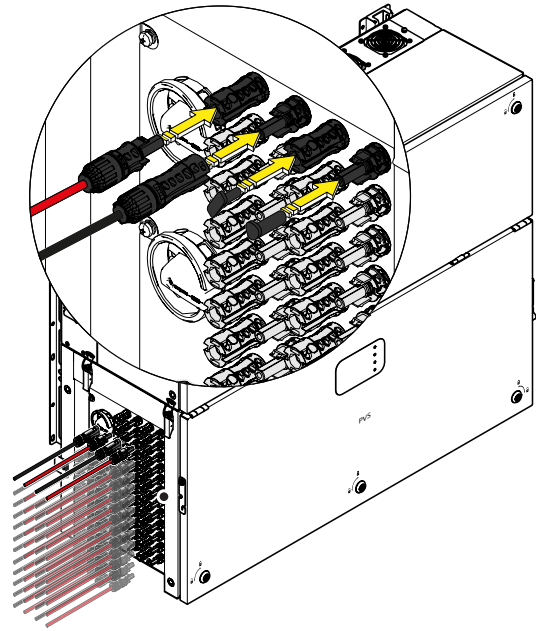
⚠	ATTENTION – Using mating parts that are not compliant with the quick fit connector models on the inverter could cause serious damage to the unit and lead to invalidation of the warranty.
---	---

The input connectors are divided into 12 MPPTs consisting of 2 pairs of quick fit connectors (17).

Each DC disconnect switch (16) disconnects a group of 3 MPPTs.

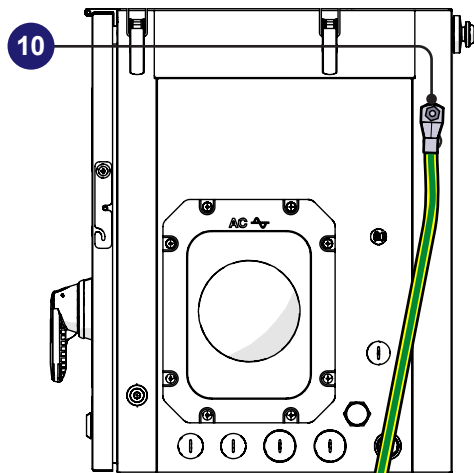
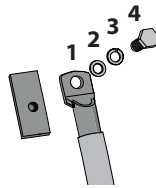


- Connect all the strings required by the system, always checking the seal of the connectors.



- Attach the DC side ground cable(s) to the equipment grounding conductor connection point (10) (this is the same thread for handles) using the washers and M8 bolt provided in the wiring box installation kit:

- 1 = cable lug
- 2 = flat washer
- 3 = spring washer
- 4 = M8 bolt



- Torque to 15.2 Nm (11.2ft-lb).

⚠ ATTENTION – Before connecting the inverter to AC or DC sources use a suitable multimeter to test the conductivity of the earth connections between the equipment grounding conductor connection point (10) and a handles thread (01) on the housing of power module (01).

⚠ ATTENTION – Make sure to connect at least one string per MPPTs to prevent unbalancing between input channels.

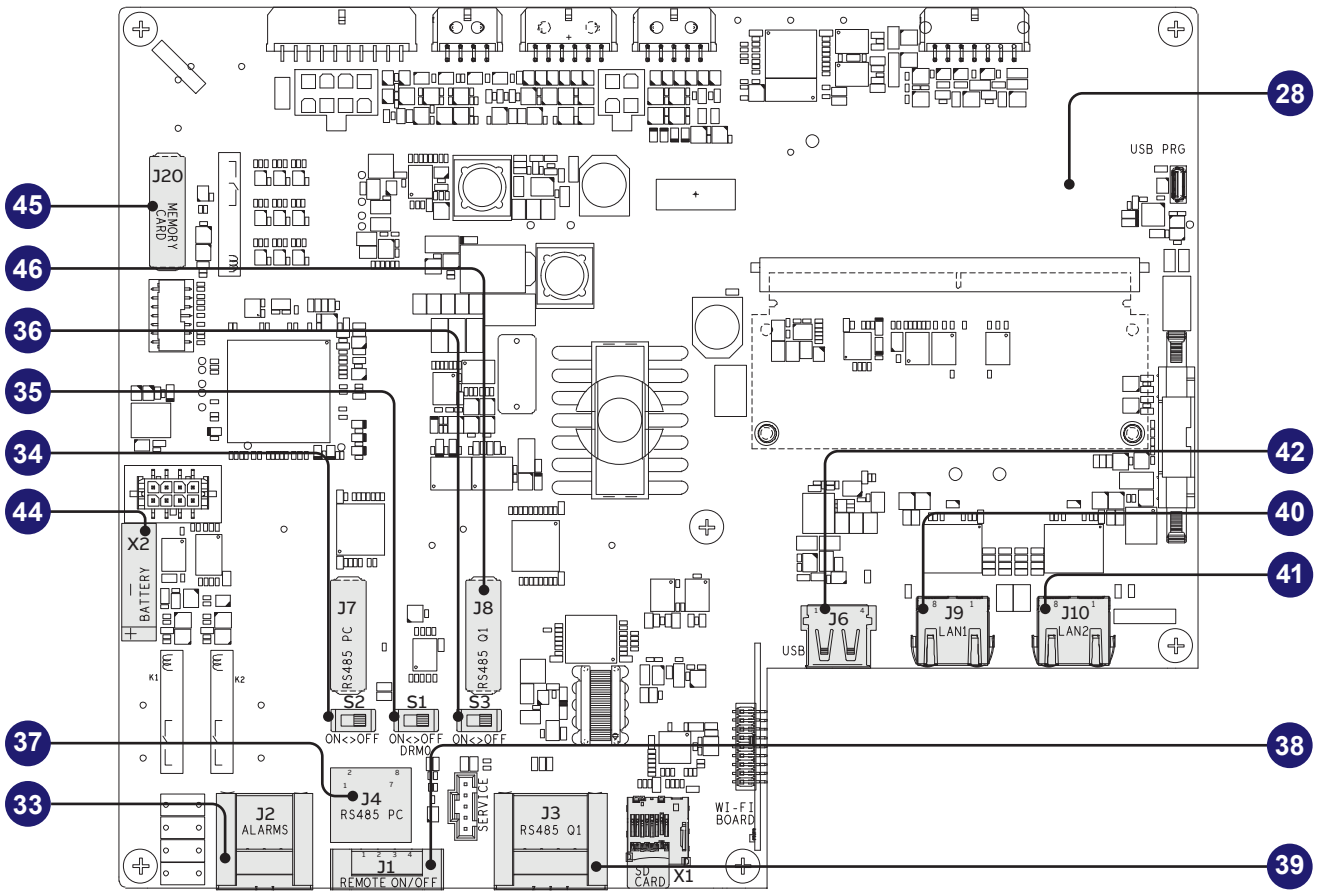
⚠ ATTENTION – If any string input is not required, check that protective caps are installed to the relative unused connectors. This is necessary for the inverter seal and to avoid any damage to the unused connectors which may be used at a later time.

⚠ ATTENTION – The connections can also be made with the wiring box (02) detached from the power module (01) that can be connected later for commissioning. When working with the wiring box (02) detached, pay particular attention to:

- presence of earth connection
- The top of wiring box must always be protected in outdoor installations with proper IP65 protection covers (optional accessory content in “PVS-175 INSTALLATION KIT”, to be ordered separately). Refer to the dedicated chapter “Installation of IP65 protection covers for wiring box openings (long term installation)” for further information about the installation procedures.

5.9 Connection of the communication and control signals

5.9.1 Communication and control board (28) references



Terminal name	Terminal reference	Description of communication and control board (28)
J2	33	Multifunction relay connector (ALARM terminal block)
S2	34	RS485 FIMER service 120Ohm termination resistance selector switch (FIMER service only)
S1	35	DRM0 activation switch
S3	36	RS485 line 120Ohm termination resistance selector switch
J4	37	FIMER RS485 service RJ45 connector (service only)
J1	38	Remote ON/OFF terminal block
J3	39	RS485 line terminal block
J9	40	Ethernet connector 1 (RJ45)
J10	41	Ethernet connector 2 (RJ45)
J6	42	USB connector
X2	44	CR2032 Coin battery
J20	45	Memory board
J8	46	RS485 line communication board

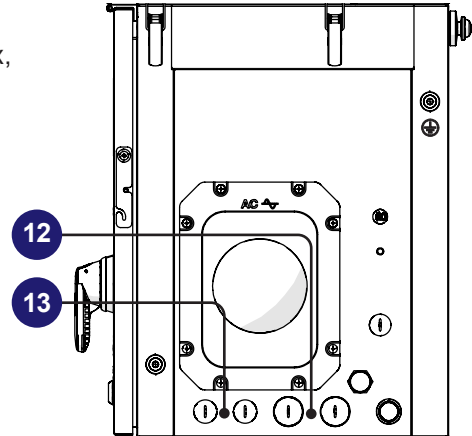
(*) The RS-485 connector (RJ45) (FIMER Service only) **(37)** and the signal R1 on the Remote ON/OFF terminal block **(38)** are used to bring the signals on the external connector RS-485&Rem.ON/OFF (Service only) **(56)**.

5.9.2 Connections to the communication and control board

The communication and control signals are connected to the communication and control board inside the DC wiring box.

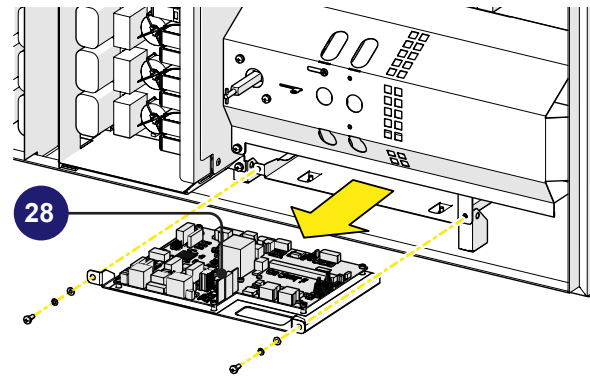
To reach the board, on the right side of the DC wiring box, there are:

- 2x service opening (size 3/4" conduit) (12)
- 2x service opening (size 1/2" conduit) (13)



NOTE – Use UL Listed reduction washers in case of smaller conduit used to maintain Type 4 enclosure integrity.

- To connect the signal and communication wirings, the communication and control board (28) have to be extracted by removing the two M5 screws.
- After the connections has been made, re-insert the communication and control board (28) in the board tray and fasten the two M5 screws previously removed.
- Give each wire a pull test to confirm the connection is secure.



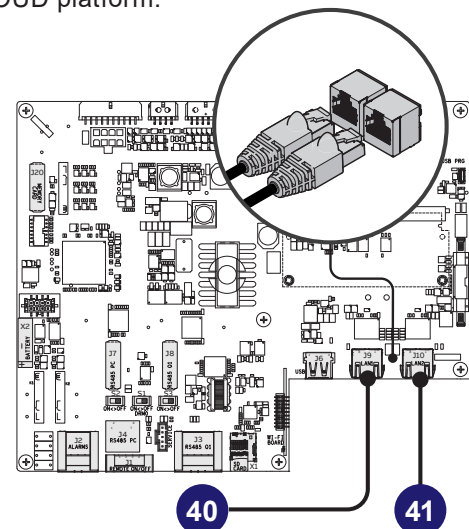
ATTENTION – Conduit must be attached using EMT liquid tight fittings to maintain Type 4 enclosure integrity.

5.9.3 Ethernet connection

The Ethernet connection allows a direct data transfer to the FIMER server for monitoring purpose. When the inverter will be powered on, network parameters are automatically set and the inverter starts the transmission of telemetry data to the Aurora Vision® CLOUD platform.

The connection of the Ethernet communication cable must be made on the specific connectors (40)(41) located on the Communication and control board (28).

The two RJ45 connectors LAN1 and LAN2 are equivalent to each other and can be used for the input or for the output of the line connecting multiple inverters in a daisy-chain.



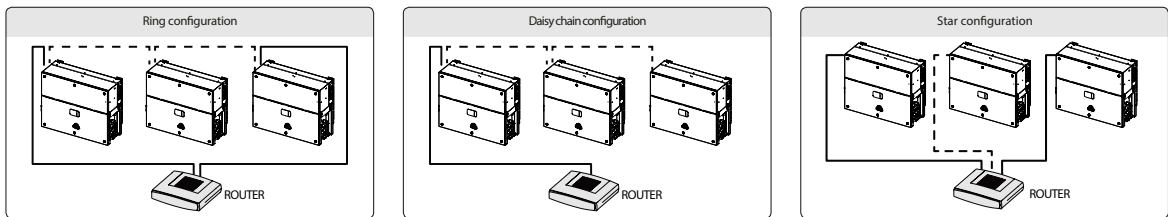
The cable should be compliant to the following specification:

- Cable type: Patch or Cross type, 100BaseTx, CAT5e (or higher). For outdoor application and/or in presence of strong electromagnetic sources it is advisable to use shielded cables with metallic shielded RJ-45 plug.
- UV-resistant if used outdoors
- Type of plug: metallic shielded RJ45.
- The maximum length that can reach these cables is 100 meters, and it is always advisable not to let them pass by the power cords to avoid interference with data transmission.
- Maximum allowed quantity of inverters connected over one single daisy chain is 40.

⚠ ATTENTION – For outdoor application and/or in presence of adverse weather/strong electromagnetic events it is advisable to use additional overvoltage protective devices.

⚠ ATTENTION – In order to avoid earth loop (that could create communication issues) the shield of any Ethernet cable must be connected to the RJ45 plug in only one side, the other side of the shield should be leaved floating. This could be guaranteed by crimping the shield or the screen of the ethernet cable to the RJ45 connectors only at one end of each cables.

Three topologies of ethernet connection to the router are available:



📌 NOTE – The ring configuration is the preferred method to connect multiple units in order to allow reaching inverters also in case of single unit failures.

📌 NOTE – In case inverters are connected to the networking switch with a ring topology, it is recommended to enable SPT protocol on the switch (Spanning Tree Protocol SPT (IEEE 802.1D) is enabled by default on inverters).

On each configuration the maximum length of the cable must be 100m between inverter – inverter and inverter – switch.

📌 NOTE – For further information on the Ethernet connection refer to the Local Area Network standard IEEE802.3

📌 NOTE – No initial setup is required to start data transmission to Aurora Vision.

📌 NOTE – Internet connection is required to use all the Aurora Vision remote functionalities.

📌 NOTE – Please refer to Aurora Vision documents available on FIMER website for further information how to get an Aurora Vision account for remotely monitoring and managing the installed solar assets.

5.9.4 Serial communication connection (RS485 - Slave mode)

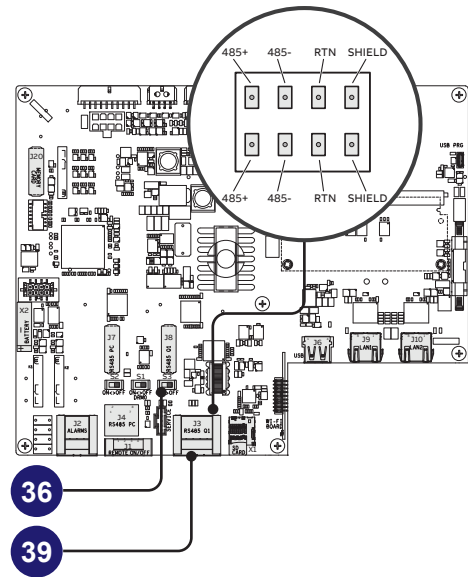
⚠ ATTENTION – Please note that automatic settings of network parameters at turning on, embedded logging capability, automatic logger-free transferring of data to Aurora Vision Cloud and remote firmware update are provided over TCP/IP (Ethernet and/or Wi-fi) bus only.

🗨 NOTE – The use of the inverters over the RS485 line is recommended in case of monitoring and controlling by using third party RS485 control systems.

By default the RS485 port is set as Slave mode. In case the port was set as “Master mode” it must be configured through the integrated Web User Interface (refer to chapter “Web User Interface”) to use the RS485 as a serial communication line.

The RS-485 port can be used to set up a line of communication which, when connected to a monitoring device, enables the operation of the photovoltaic system to be kept under control. Depending on the device used monitoring can be local or remote.

The RS-485 serial communication line is available on the communication and control board (28) with two terminal blocks (39) for each serial line signal (+T/R, -T/R and RTN) so as to be able to make a daisy-chain connection (“in-out”) of multiple inverters.



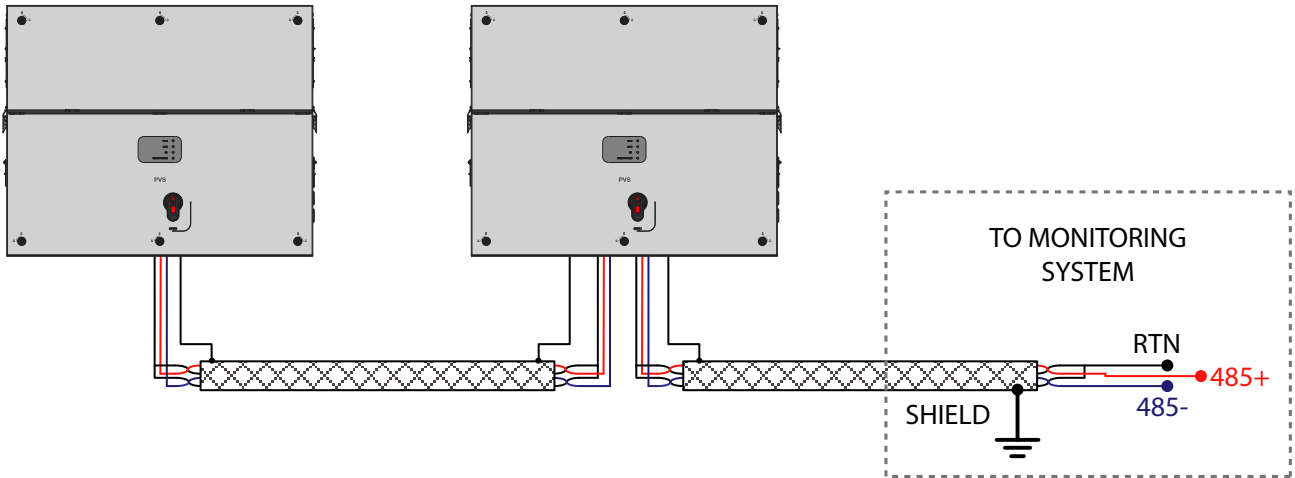
🗨 NOTE – RS485 line supports Modbus/RTU SUNSPEC compliant Modbus protocol.

For long distance connections is necessary to use a shielded twisted pair cable with characteristic impedance of $Z_0=120$ Ohm like the one shown on the following table:

	Signal	Symbol
	Positive data	+ 485
	Negative data	- 485
	Reference	RTN
	Shield	SHIELD

⚠ ATTENTION – Shield continuity must be provided along the communication line and must be grounded in a single point.

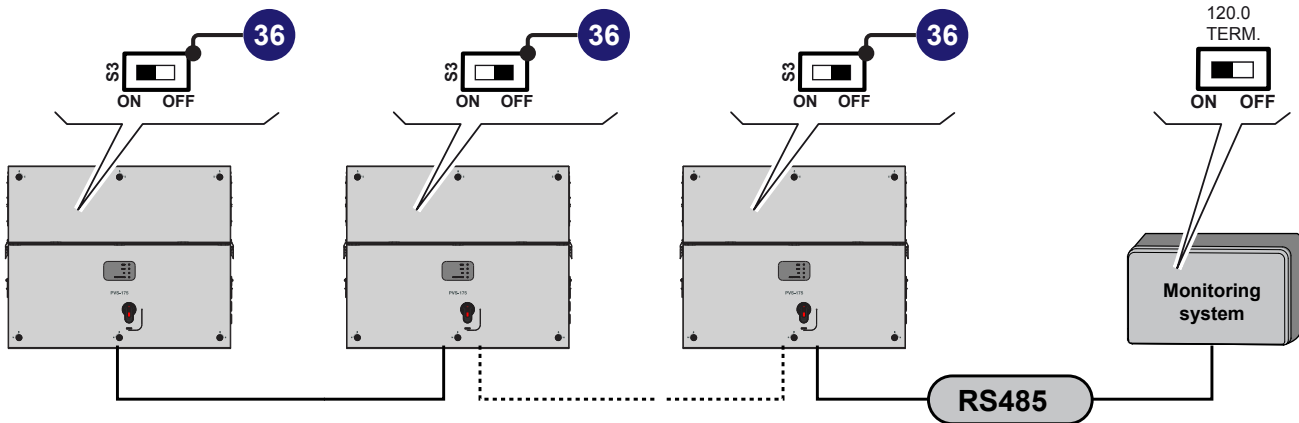
The RS485 line can be used to set up a line of communication which, when connected to a monitoring device, enables the operation of the photovoltaic system to be kept under control. Depending on the device used monitoring can be local or remote.



NOTE – It is the installer’s responsibility to evaluate the use of an additional overvoltage protective devices on the communication line.

READ THE MANUAL – For information on installation, compatibility and use of monitoring system, please refer to the specific documentation on the accessory components.

Connect all the units of the RS485 chain in accordance with the daisy-chain model observing the correspondence between the signals, and activate the termination resistance of the communication line in the final element of the chain by switching the **(36)** switch in the ON position.



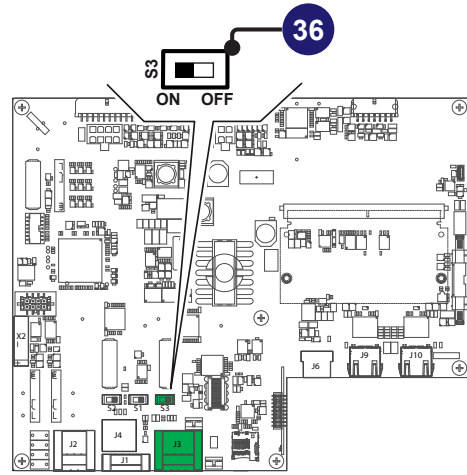
ATTENTION – The communication line must also be terminated on the first element of the chain which normally corresponds to the monitoring device.

NOTE – It is recommended not to exceed a length of 1000m for the communication line.

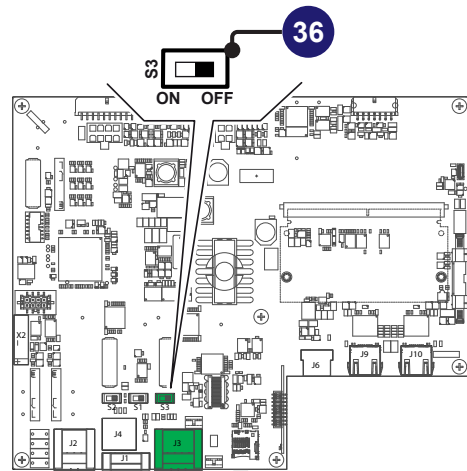
NOTE – The maximum number of inverters that can be connected to the same RS485 line is 62.

ATTENTION – In case of longer communication line and/or in case of a large number of connected inverters to the same line it could be necessary to add a RS485 amplifier to guarantee the performance of the communication line.

When connecting a single inverter to the monitoring system, activate the communication line resistance terminal by setting the switch **(36)** (to the ON position). Set a different RS485 address on each inverter in the chain. No inverter can have “Auto” as an address. An address can be freely chosen between 2 and 63. The setting of the address on the inverter is done through the integrated Web User Interface (refer to chapter “Web User Interface”).



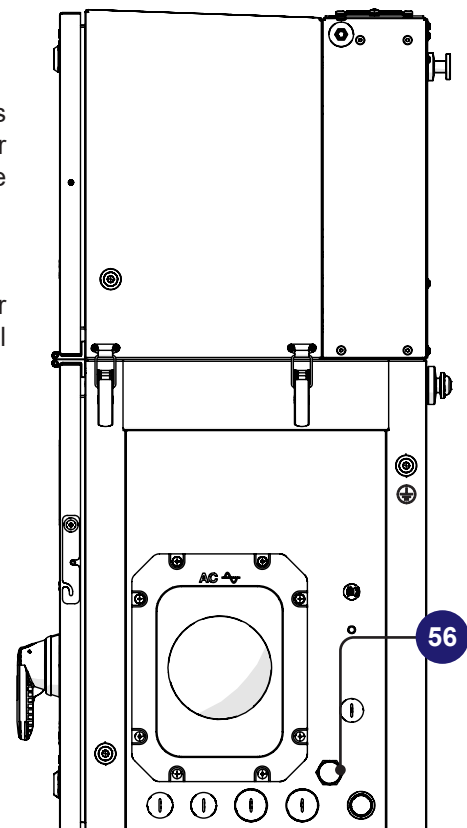
When an RS-485 connection is being used, if one or more inverters are added to the system at a later time, it is necessary to remember to reset to OFF the switch of the termination resistance being used (1) or (2) on the inverter which previously was the last in the system. Each inverter is shipped with the RS485 address pre-set to two (2) and with the resistance terminal setting Switch **(36)** in the OFF position.



RS485 RJ45 external connector for FIMER Service operation

The inverter has an second RS485 communication lines (that could be access using the external RJ45 connector **(56)**) working as Slave to be used by FIMER Service personnel only.

This communication port has is configured for communicating over proprietary communication protocol called “Aurora”.

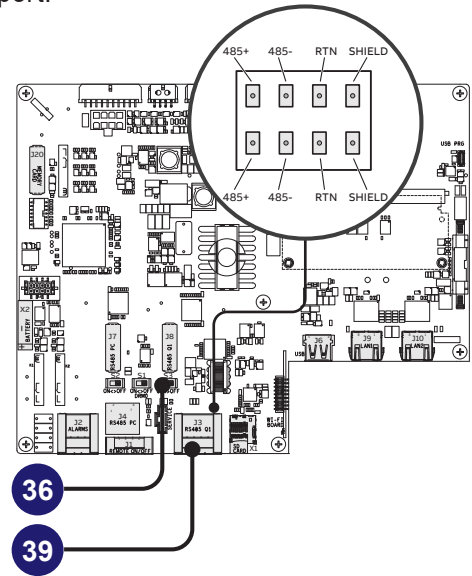


5.9.5 Serial communication connection (RS485 - Master mode)

The RS485 port can either be used for connecting supported accessories (like weather station): in this case data from accessories will be logged and transferred to the cloud by inverter itself (master mode). This will allow the inverter to serve as a logger for FIMER accessories.
For more information on connecting the accessories to the RS485 terminal block, refer to the accessory product manual or contact FIMER customer support.

The RS-485 serial communication line is available on the communication and control board (28) with two terminal blocks (39) for each serial line signal (+T/R, -T/R and RTN) so as to be able to make a daisy-chain connection (“in-out”) of multiple inverters.

- Connection of the R485 communication line conductors is made using the terminal block connectors (39) (485+, 485-, RTN and SHIELD).
- Set the switch of the termination resistance (36) to “ON” position.
- When an accessory is connected it must be added and configured into the “Monitored device” list on the integrated Web User Interface.



5.9.6 Remote control connection

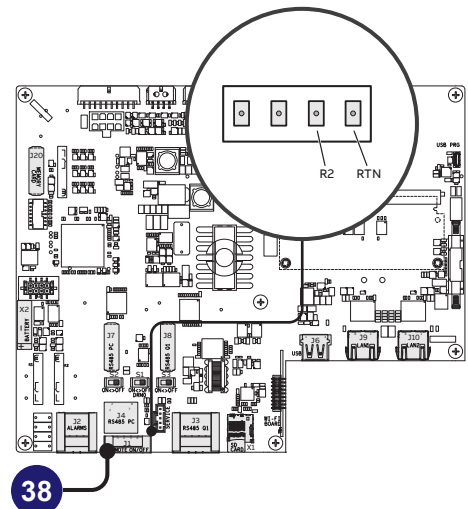
The connection and disconnection of the inverter to and from the grid can be controlled through an external control.

The function must be enabled via web server user interface. If the remote control function is disabled, the switching on of the inverter is dictated by the presence of the normal parameters that allow the inverter to connect to the grid.

If the remote control function is on, besides being dictated by the presence of the normal parameters that allow the inverter to connect to the grid, switching on the inverter also depends on the state of the R2 terminal compared to the RTN terminal present on the (38) terminal block of the communication and control board (28).

When the R2 signal is brought to the same potential as the RTN signal (i.e. by making a short circuit between the two terminals of the connector), this causes the inverter to disconnect from the grid.

Since this is a digital input, there are no requirements to be observed as regards cable cross-section (it only needs to comply with the sizing requirement for passing cables through the cable glands and the terminal connector).

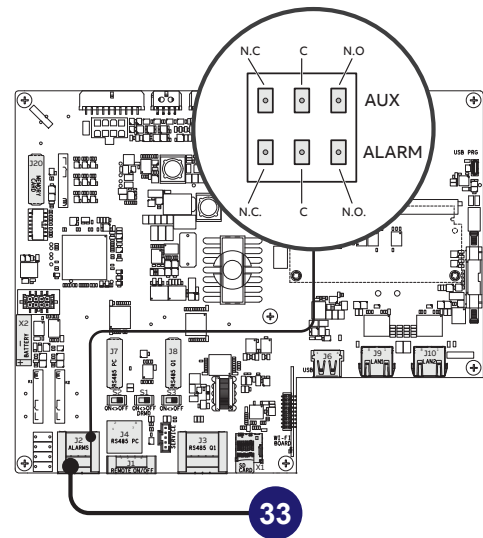


The external switch used for Remote ON/OFF should be rated for DC low voltage, low current application (the minimum switching current capability should be 1mA or lower).

5.9.7 Multifunction Relay connection (ALARM and AUX)

The inverter is equipped with 2 multifunction relay terminal blocks (33) with configurable activation. It can be connected with normally open contact (being connected between the NO terminal and the common contact C) and with normally closed contact (being connected between the NC terminal and the common contact C).

This contact can be used in different operating configurations that can be selected by accessing the relevant section in the web user Interface “SETTINGS > Digital Outputs”.



Different types of devices (light, sound, etc.) can be connected to the relay, provided they comply with the following requirements:

Alarm terminal block requirements	
Alternating current	Maximum Voltage: 160 Vac / Maximum Current: 6 A
Direct current	Maximum Voltage: 30 Vdc / Maximum Current: 3 A
Cable requirements	Conductor cross-section: from 28 to 16 AWG

6. Instruments

6

6.1 General conditions

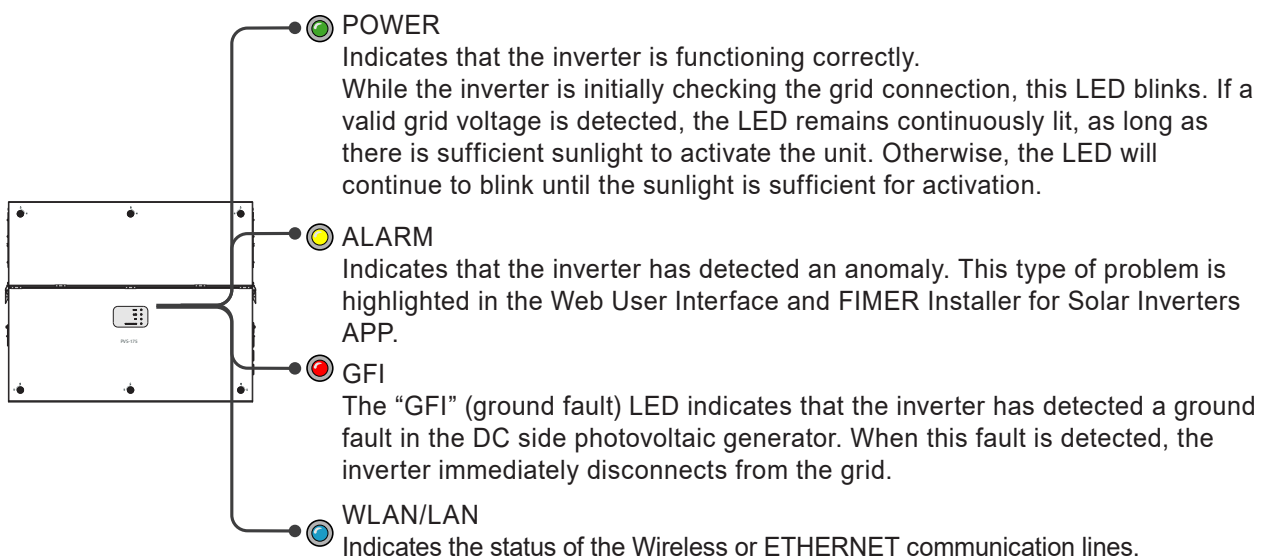
One of the first rules for preventing damage to the equipment and to the operator is to have a thorough knowledge of the instruments. We, therefore, advise that you carefully read this manual. If you are not sure about any information in this manual, please ask FIMER Service for more detailed information.

⊘ **FORBIDDEN** – Do not use the equipment if:

- you do not have suitable qualifications to work on this equipment or similar products;
- you are unable to understand how it works;
- you are not sure what will happen when the buttons or switches are operated;
- you notice any operating anomalies;
- there are doubts or contradictions between your experience, the manual and/or other operators.

FIMER cannot be held responsible for damage to the equipment or the operator if it is the result of lack of knowledge, insufficient qualifications or lack of training.

6.2 Description of the LED panel



NOTE – The LEDs, in various multiple available combinations, can signal multiple conditions other than the original single condition; see the various descriptions explained in the “Power, Alarm, GFI LEDs behaviour” and “WLAN/LAN LED behaviour” chapters on this manual.

6.3 User interface

6.3.1 FIMER Installer for Solar Inverters

FIMER Installer for Solar Inverters APP allows to:

- multiple inverter commissioning and system settings.
- Updating of the inverter firmware.

NOTE – Compatible with Android devices.

6.3.2 Embedded Web User Interface

The embedded Web UI is accessible via Wi-Fi by using any WLAN enabled standard device (PC, smartphone, tablet,...) and allow to:

- Enables single inverter commissioning and parameters settings.
- Updating the inverter firmware.

6.3.3 Aurora Vision Plant Management Platform

Additional to any local user interfaces the inverter comes with capability enabling remote monitoring and managing via Aurora Vision Plant Management Platform cloud. Aurora Vision offer includes:

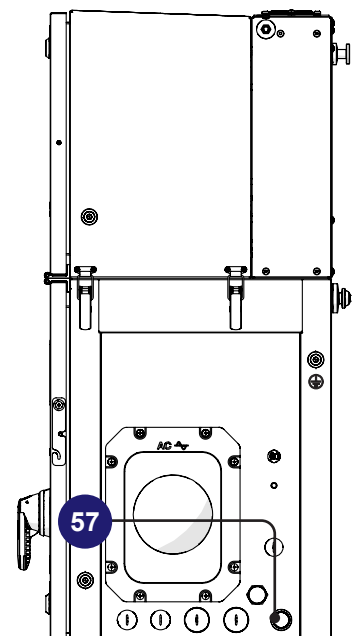
- Plant Portfolio Manager: web portal for solar professional.
- Plant Viewer: single web page for casual user.
- Plant Viewer for Mobile: mobile application for plant monitoring.
- FIMER Ability™ for solar plants - Energy Viewer: mobile application for plant monitoring.
- Kiosk view: single HTML5 page for public visualization of plant data.
- API: web based tool for enabling the sharing of the data with a third party data.

6.4 Arc fault reset button

The red “GFI” LED indicates that the inverter has detected an arc fault in the DC side photovoltaic array.

If an arc fault occurs (red “GFI” LED turned on) the inverter immediately disconnects from the grid. It is possible to reset the alarm pushing the button on the left side of DC wiring box (57).

- If the inverter reconnects normally to the grid, the fault was due to temporary or intermittent conditions.
If this malfunction occurs, have the PV plant inspected by a specialist. Arc faults are more likely in damp conditions, and signal an insulation breakdown.
- If the inverter does not reconnect to the grid, lock out/tag out both the AC and DC disconnects, then call for service to repair the fault in the photovoltaic array.



6.5 Monitoring and data transmission

6.5.1 User interface

The inverter is able to provide information about its operation through the following instruments:

- Warning lights (luminous LEDs)
- Mobile app and webserver
- Data transmission on the dedicated RS-485 serial line. The data can be collected by a PC or a data logger equipped with an RS-485 port. Contact the FIMER support service with any queries about device compatibility.

6.5.2 Measurement tolerance

The data supplied by the inverter may differ from measurements taken by certified measuring instruments (e.g. output meters, multimeters and grid analysers); since the inverter is not a measuring instrument it has wider tolerances for the measurements it makes.

The tolerances are generally:

- ±5% for real-time measurements with output power below 20%
- ±3% for real-time measurements with output power above 20%
- ±4% for all statistical data.


7. Operation



7.1 General conditions

Before checking the operation of the equipment, it is necessary to have a thorough knowledge of the Instruments chapter 6 and the functions that have been enabled in the installation process. The equipment operates automatically without the aid of an operator; the operating state should be controlled through the equipment's instrumentation.





The interpretation or variation of some data is reserved exclusively for specialized and qualified staff.

 **FORBIDDEN** – The input voltage must not exceed the maximum values shown in the technical data, section 3 in order to avoid damaging the equipment.

 **NOTE** – Consult the technical data for further details.

During operation, make sure that environmental and storage conditions have not changed over time (see installation chapter 5).

7.2 Commissioning

-  **HOT SURFACE** – Do not place objects of any kind on the inverter during operation! Do not touch the heat sink while the inverter is operating! Some parts may be very hot and could cause burns.
-  **ATTENTION** – Before proceeding with commissioning, make sure you have carried out all the checks and verifications indicated in the section on preliminary checks.
-  **ATTENTION** – This inverter can be powered both with AC or DC sources. In case of DC source is used, make sure that irradiation is stable and adequate for the inverter commissioning procedure to be completed.
-  **ATTENTION** – At the first activation of the inverter the firmware version could be synchronized between power module and wiring box. During this phase the LEDs “Power” “Alarm” and “GFI” blink together every 1 second. This process is absolutely normal and must be completed without interruption. A switch-off of the system during this process could cause serious damage to the inverter.

Commissioning could be carried out in two different ways:

- Via FIMER Installer for Solar Inverters APP
Recommended mobile APP for commissioning a single inverter as well as a multi-inverter solar plant.
- Via Web UI (access point wireless network)
Integrated Web User Interface enabling setting parameters and performing commissioning of a single inverter (multi inverter support is not provided).
Recommended as alternative method for performing single inverter commissioning.

7.2.1 Commissioning via Installer for Solar Inverters mobile APP

“Installer for Solar Inverters” is the new advanced FIMER mobile APP allows to simplify commissioning, parameter settings and troubleshooting of FIMER string multi-inverters in large scale solar plants.

NOTE – Even in case of single inverter installation it can be consider the most suitable professional tool to be used.

NOTE – “Installer for Solar Inverters” mobile APP is available for mobile devices with an Android version of 6.0.1 or greather (iOS mobile devices support will come soon) and could be downloaded and installed from Play Store.

Commissioning procedure:

It's higly recommended to connect the inverters in ethernet daisy chain (with or without ring) before executing the commissioning procedure.

Make sure that all the inverter being commissioned features the last firmware version (updating can be executed via Installer for Solar Inverters mobile APP).

The main steps to complete the commissioning procedures are listed below:

- Close the DC disconnect switches **(15)** to supply the inverter with input voltage from the photovoltaic generator.

ATTENTION – Make sure irradiation is stable and adequate for the inverter commissioning procedure to be completed.

- Installer for Solar Inverters mobile APP installed on mobile device.

- Enabled Aurora Vision installer account allowed to use the mobile APP.
The account can be created in the mobile APP directly following

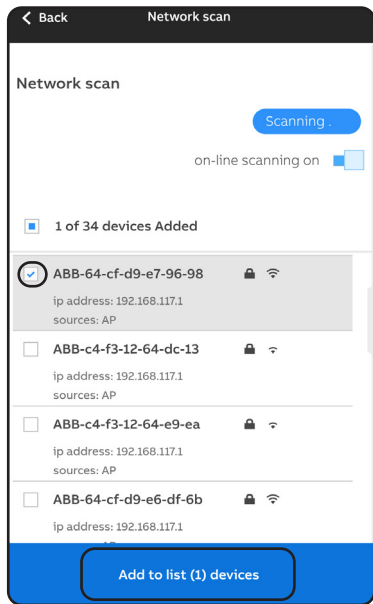
- Manual claiming of the inverters to be commissioned.
The claiming process consists of indicating which inverters are to be commissioned. Claiming process can be executed by scanning the QR codes of all the inverters being worked and putting the selected inverters into the working list. Please insert in the list inverters belonging to the

same inverters family; no more than 40 inverters by time can be configured together.

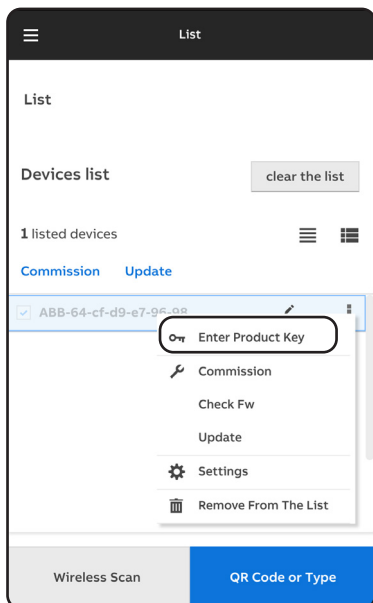
As an alternative of QR code scanning, claiming process can be executed by selecting manually the SSIDs associated to the Wi-Fi networks generated by each inverter to commission and inserting Product key when requested:

⚠ ATTENTION – Below steps are valid for executing any available functionalities of the Installer for Solar Inverters mobile APP.

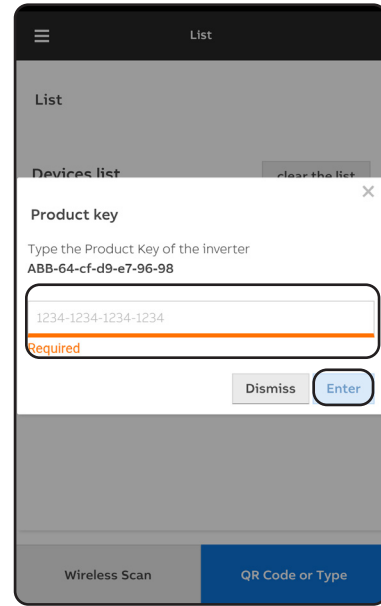
- Select the WiFi network.



- Tap on “Enter Product Key”.



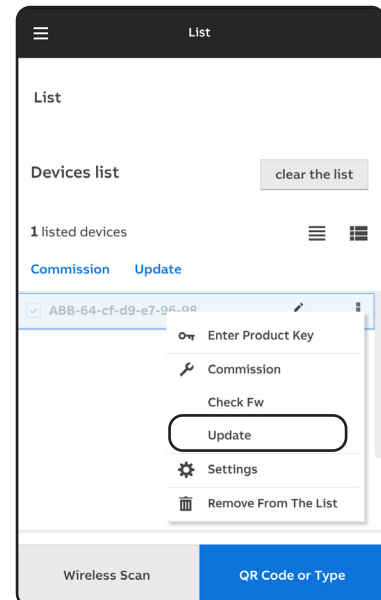
- Enter the “Product Key” and “Enter” to confirm.



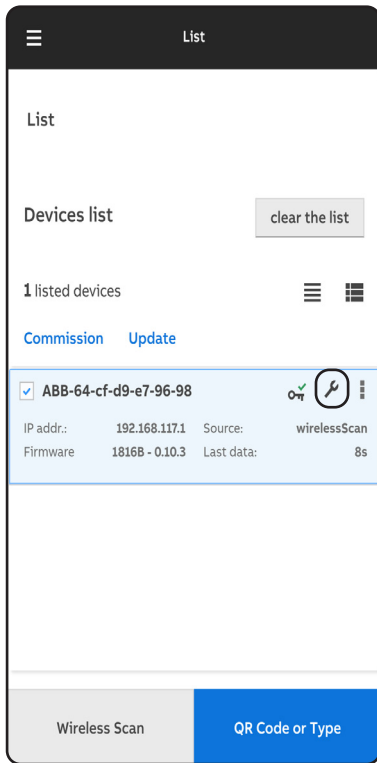
NOTE – Both QR code and Product key are provided on the Communication identification label stuck onto each inverter.

NOTE – It's recommend to create a plant map and apply the Communication Identification label (the Communication Identification label is divided in two separate parts by a dashed line) of each inverters in the right position of that map.

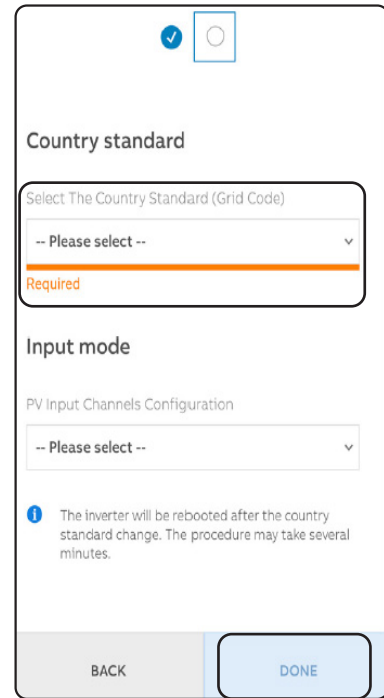
- Update firmware (if necessary). Tap on “Firmware update” for aligning the firmware of all the inverters in the list to the last version (internet connection is needed).



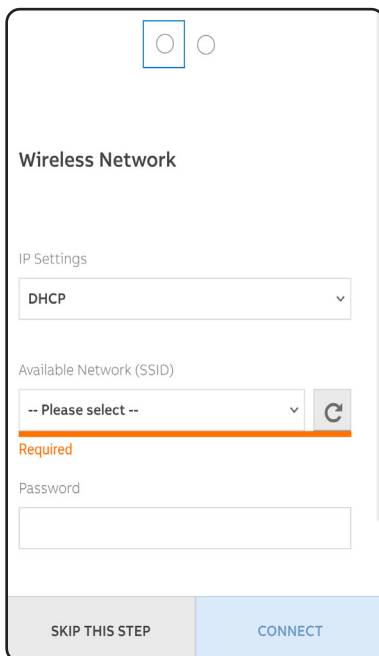
- Tap the “Commissioning” button.



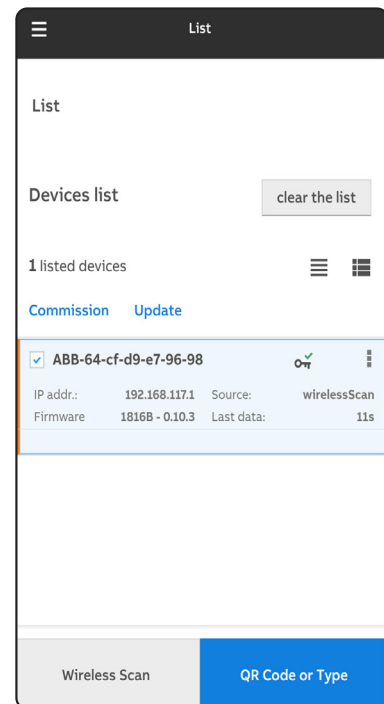
- Select the country standard and the configuration of the input channels and confirm the setting by clicking “DONE”.



- Enter the IP Settings(DHCP or Static), Network SSID and password. Tap on “Connect” button to connect the inverter to the local wireless network.



- The image shows the successful commissioning.



NOTE – If the inverter should not be connected to a Local wireless network tap on “Skip this step” button (the inverter connection remains point-to-point).

In the SETTINGS section it's possible to access the following sub-menus:

RS485 (allows to set address, baud rate, parity mode and communication protocol).

LAN (it's possible to view the status and change the daisy chain configuration of the two ethernet ports of the inverter).

WLAN (it's possible to view the status of the two wireless channels of the inverter, and to disconnect the channel 2).

Monitored Devices (it's possible to add and config the connected supported accessories to the RS485. In this case, modify the data on the rs485 tab according to the characteristics of the inserted device).

NOTE – For any other specific settings of parameters of single inverters please refer to “Description of the Web User Interface” chapter.

- After the commissioning via FIMER Installer for Solar Inverters APP is completed, the inverter changes the behaviour of the “Power” and “Alarm” LEDs , in relation of the input voltage value:

Input voltage	LED Status	Description
$V_{in} < V_{start}$	Power = Flashing Alarm = OFF	The input voltage is not sufficient to enable connection to the grid.
$V_{in} > V_{start}$	Power = Flashing Alarm = ON	The input voltage is sufficient to enable connection to the grid: the inverter waits for the grid voltage to be present to make the connection to the grid.

- Depending of the supply source used to complete the installation wizard steps, close the disconnect switch of missing voltage sources: In case of missing AC source close the AC switch downstream of the inverter (and AC disconnect switch **(09)** for the -SX2 wiring box version); In case of missing DC source close the DC disconnect switches **(16)**.
- When the input voltage is sufficient to allow the connection to the grid, the inverter will check the grid voltage, measure the isolation resistance of the photovoltaic field with respect to ground and performs other auto-diagnostic checks. During the preliminary checks on the parallel connection with the grid, the “Power” LED keeps flashing, the “Alarm” and “GFI” LEDs are OFF. The inverter will ONLY connect to the grid if all parameters fall within the ranges foreseen by current regulations.
- If the outcome of the preliminary checks to grid synchronization are positive, the inverter connects and starts to export power to the grid. The “Power” LED remains fixed on while the “Alarm” and “GFI” LEDs are OFF.

NOTE – To address any problems that may occur during the initial stages of operation of the system and to ensure the inverter remains fully functional, you are advised to check for any firmware updates in the dedicated section of web user interface or in the download area of the website www.fimer.com or at <https://registration.solar.fimer.com> (instructions for registering on the website and updating the firmware are given in this manual).

7.2.2 Commissioning Via Web UI - Wireless connection

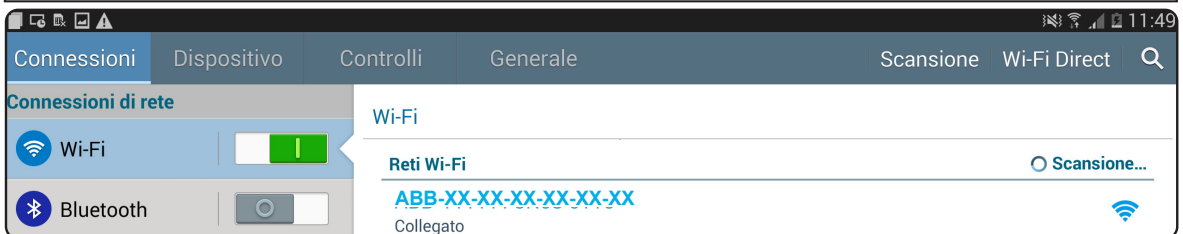
CONNECTION TO THE INVERTER - WIRELESS

Commissioning could be carried out via wireless connection to the inverter's Web User Interface. Initial setup of the system must therefore be carried out via a tablet, notebook or smartphone with a wireless connection.

⚠ ATTENTION – This inverter can be powered both with AC or DC sources. In case of DC source is used, make sure that irradiation is stable and adequate for the inverter commissioning procedure to be completed.

- Close the DC disconnect switches (**16**) to supply the inverter with input voltage from the photovoltaic generator or close the AC switch downstream of the inverter (and AC disconnect switch (**09**) for -SX2 wiring box version) to supply the inverter with AC grid voltage. In the pre-commissioning phase the "Alarm" LED keeps quickly flashing, "Power" and "GFI" LEDs are OFF.
- Once powered, the inverter will automatically create a wireless network (approx. 60 seconds after switching-on).
- Enable the wireless connection on the device which is being used for the board setup (tablet, smartphone or PC) and connect it to the Access Point created by the inverter system: the name of the wireless network created by the system that the connection should be established with, will be: ABB-XX-XX-XX-XX-XX-XX where "X" is a hex digit of the wireless MAC address (MAC address can be found on the "Communication Identification Label" placed on the side of the inverter).

💬 NOTE – The screens shown below pertain to a tablet with the Android operating system. Screens on other devices or operating systems may differ.



- When required enter the PRODUCT KEY (printed on the "Communication Identification label" and applied during the commissioning phase to the plant documentation) as access point password.

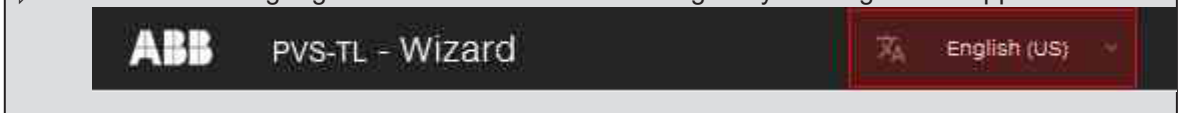
💬 NOTE – It's required to digit also the dash "-" characters of the Product Key in the password field.

💬 NOTE – In case of need, product key can be recovered by Aurora Vision Cloud or by calling FIMER technical support.

COMMISSIONING PROCEDURE - WIRELESS CONNECTED

- Open an internet browser (recommended browser: Chrome versions from v.55, Firefox versions from v.50) and enter the pre-set IP address 192.168.117.1 to access the Web User Interface. Web User interface has easy commissioning wizard to commission the inverter.

💬 NOTE – The language of the wizard could be changed by clicking on the upper status bar



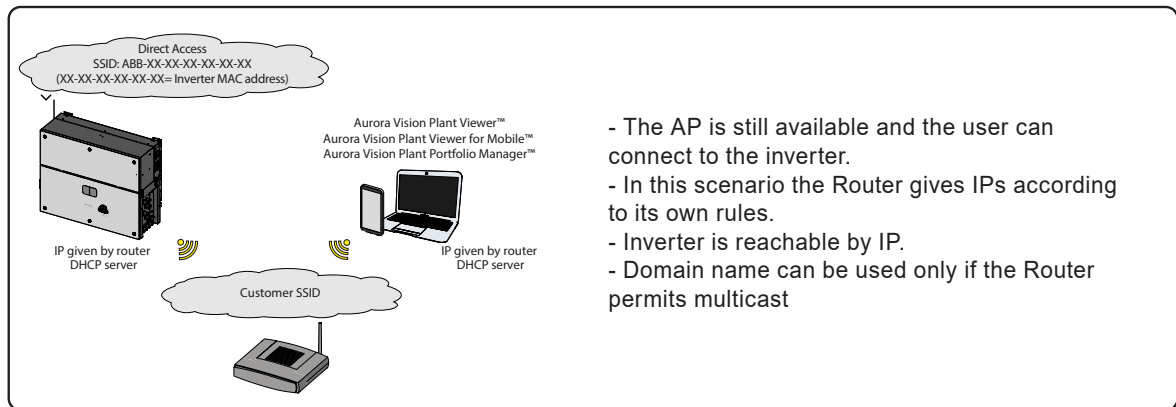
The required information during the procedure are:

STEP 1 - Administrator/User login credentials

- Set the Administrator account user and password (minimum 8 character for password):
Administrator account can open and view the contents of photovoltaic site. Additionally, they can make changes to inverter settings.
User and password are CASE SENSITIVE.
- Set the User account user and (optional) password (minimum 8 character for password):
User account can only read data. It cannot make any changes. User and password are CASE SENSITIVE.
- Click on “DONE” to go to next step.

STEP 2 (Optional) - Wireless network connection.

As described on chapter 2 the recommended way to get all the installed inverters to communicate to the internet and Aurora Vision Cloud is creating a wired Ethernet daisy chain bus. Anyway, in case of a few inverters installation in suitable environment, it is also possible to connect each inverter of the plant to a Wi-Fi router without using any cable.



During the installation wizard of the single inverter, the installer will be asked to connect the inverter to a Wi-Fi router. By selecting connection to Wi-Fi router the inverter will turn on a second Wi-Fi radio channel in order to enable connection to the Wi-Fi router. By selecting “Skip this step” button the other radio channel will be kept off.

Two Wi-Fi radio channels enables simultaneous wireless connection; one static IP address connection between inverter and installer devices and one between inverter and switch/router.

Whatever option is used to connect the inverter to the router (Ethernet cable or Wi-Fi) it will be always possible to access to the embedded web server also by connecting its own device to the same switch/router, and reaching the inverter (via second radio channel in case of Wi-Fi connection with the router) by using the assigned IP address or inverter’s host name


NOTE – The IP address assigned to the inverter may vary or may be unknown. Please contact the IT administrator for getting the assigned IP address.

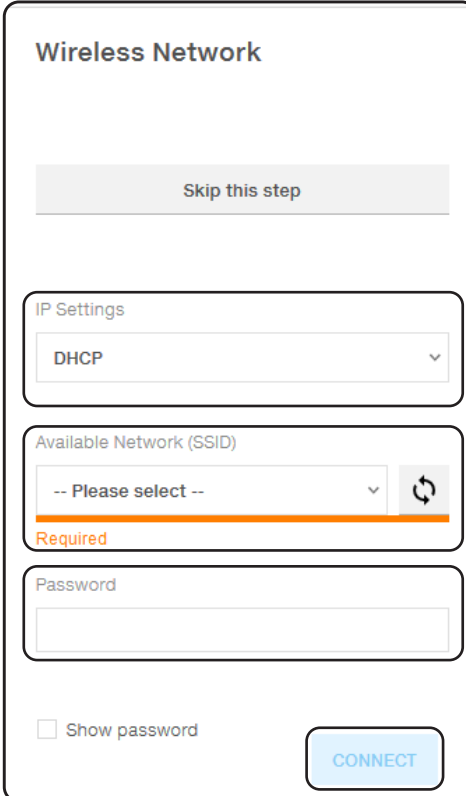
NOTE – Differently from the assigned IP address, the «Host Name» of the inverter is does not change over time.

NOTE – In order to use the «Host Name» as an alternative to the assigned IP address, for accessing to the inverters web server from the router the Domain Name System (DNS) service shall be available and activated.

NOTE – The Host Name associated to each FIMER inverter is structured as indicated below:
 FIMER-logger ID.LOCAL
 where logger ID stands for the MAC address indicated on the “Communication identification lable” applied on the inverter.

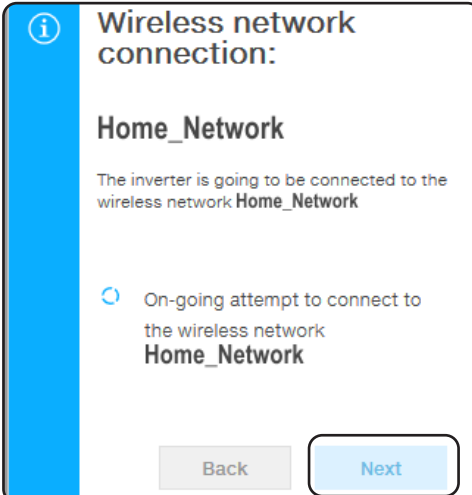
The parameters related to the customer wireless network (set on the router) that must be known and set during this step are:

- IP Settings: DHCP or Static.
 If you select the DHCP function (default setup) the router will automatically assign a dynamic IP address to the inverter whenever it tries to connect to the user network.
 With Static, the user can assign a fixed IP address to the system. The data which has to be entered in order for IP static address assigning to take place will appear. Complete the additional fields at the bottom of the screen (all the fields are mandatory with the exception of the secondary DNS server).
- Available networks (SSID):
 Identify and select your own (customer) wireless network from all those shown in the SSID field (you can carry out a new search of the networks that can be detected with the Update button ).
 Once the network has been selected, confirm.
- Password: Wireless network password.
 Enter the password for the destination network (if necessary) and start the connection attempt (it will take a few seconds).



- Click on “Connect” button to connect the inverter to the home wireless network.

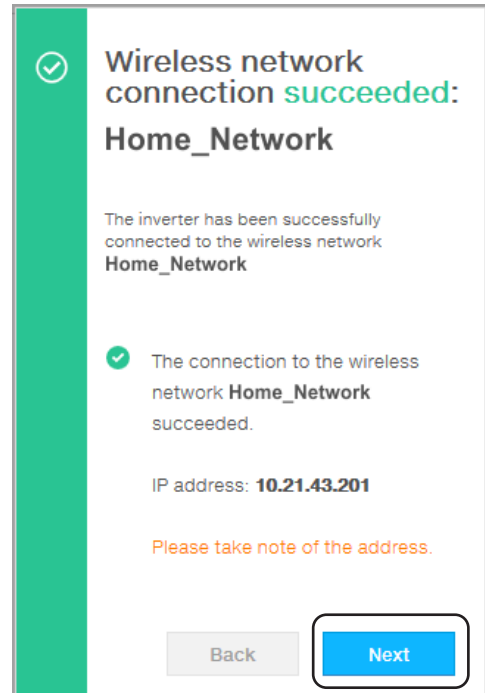
A message will ask for confirmation. Click “Next” to connect the inverter to the customer wireless network.



Once the inverter is connected to the customer wireless network, a new message will confirm that the connection is acquired.

The message provides the IP Address assigned by the home wireless network router to the inverter that can be used each time you want to access the Web User Interface, with the inverter connected to the home wireless network. Take note of it.

- Click on “Next” button to proceed to the next stage of the configuration wizard.



NOTE – The IP address assigned may vary for reasons connected to the wireless home router setup (for example, a very brief DHCP lease time). If verification of the address is required, it is usually possible to obtain the client list (and the corresponding IP addresses) from the wireless router administration panel.

If the inverter loses the connection with the home wireless network (and therefore, loses the internet connection), it will once again enable its own access point.

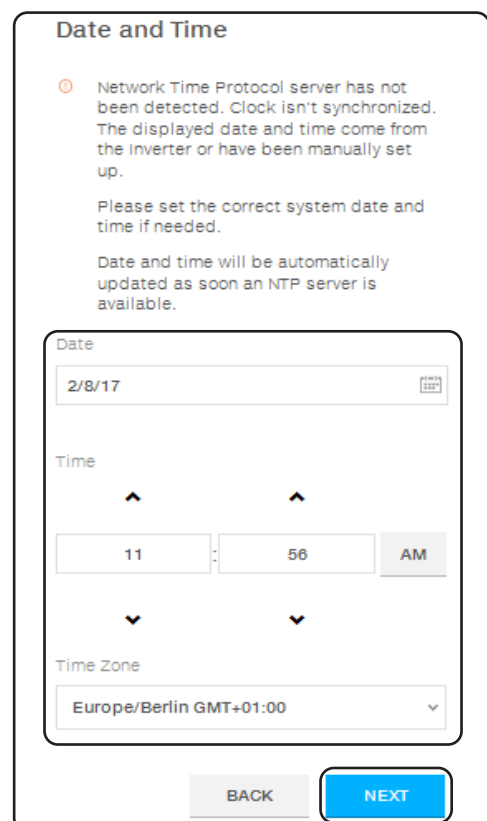
NOTE – The most common causes of losing connectivity might be: different wireless network password, faulty or unreachable router, replacement of router (different SSID) without the necessary setting updates.

STEP 3 - Date, Time and Time zone.

- Set the Date, Time and Time zone (The inverter will propose these fields when available).

When it's not possible for the inverter to detect the time protocol, these fields have to be manually entered.

- Click on “Next” button to proceed to the next stage of the configuration wizard.



STEP 4 - Inverter country standard and Input configuration

- Country standard: selection of grid standard:
Set the grid standard of the country in which the inverter is installed.
- Input mode:
Only Independent configuration are available.
- Confirm the settings by clicking “END” and the inverter will reboot.

NOTE – After the grid standard is set you have 24 hours to make any changes to the grid standard value; 24 hours later the Country Standard sub-menu will be locked, and the remaining time shall be reset in order to have the 24 hours of unlocked operation available again to select a new grid standard (follow the procedure “Resetting the remaining time for grid standard variation” described in the relevant section).

A notification will confirm that the wizard is completed.

- After the commissioning via FIMER Installer for Solar Inverters APP is completed, the inverter changes the behaviour of the “Power” and “Alarm” LEDs , in relation of the input voltage value:

Input voltage	LED Status	Description
$V_{in} < V_{start}$	Power = Flashing Alarm = OFF	The input voltage is not sufficient to enable connection to the grid.
$V_{in} > V_{start}$	Power = Flashing Alarm = ON	The input voltage is sufficient to enable connection to the grid: the inverter waits for the grid voltage to be present to make the connection to the grid.

- Depending of the supply source used to complete the installation wizard steps, close the disconnect switch of missing voltage sources: In case of missing AC source close the AC switch downstream of the inverter (and AC disconnect switch **(09)** for the -SX2 wiring box version); In case of missing DC source close the DC disconnect switches **(16)**.
- When the input voltage is sufficient to allow the connection to the grid, the inverter will check the grid voltage, measure the isolation resistance of the photovoltaic field with respect to ground and

performs other auto-diagnostic checks. During the preliminary checks on the parallel connection with the grid, the “Power” LED keeps flashing, the “Alarm” and “GFI” LEDs are OFF. The inverter will ONLY connect to the grid if all parameters fall within the ranges foreseen by current regulations.

- If the outcome of the preliminary checks to grid synchronization are positive, the inverter connects and starts to export power to the grid. The “Power” LED remains fixed on while the “Alarm” and “GFI” LEDs are OFF.

NOTE – To address any problems that may occur during the initial stages of operation of the system and to ensure the inverter remains fully functional, you are advised to check for any firmware updates in the dedicated section of web user interface or in the download area of the website www.fimer.com or at <https://registration.solar.fimer.com> (instructions for registering on the website and updating the firmware are given in this manual).

READ THE MANUAL – According to CEC requirements the inverter display measured net generated energy and measured instantaneous power using a remote device like a smartphone, tablet or PC. Access it by connection to the inverter internal Webserver (please see the beginning of this paragraph on how to access to the internal webserver). In addition it is possible to use the mobile App ‘FIMER ability Energy Viewer for solar plants’ and the FIMER Web portal Aurora Vision (please refer to product manual for further details) to monitor all production data.

7.3 LEDs behaviour

All possible LED activation combinations are shown in the following table. In particular, each LED could behave in one of the following ways:

- = LED on
- ⊗ = LED flashing slow (2 seconds on / 2 seconds off)
- ⊛ = LED flashing fast (0.2 seconds on / 0.2 seconds off)
- = LED off
- ⊛ = Any one of the conditions described above

The following table shows all the possible activation combinations of “Power” “Alarm” and “GFI” LEDs on the LED panel (08) according to the operating status of the inverter.

LED status	Operating state
green: ⊗ yellow: ⊗ red: ⊗	Firmware programming The inverter firmware is being programmed (never turn off the inverter during this phase).
green: ○ yellow: ○ red: ○	Night mode (inverter automatically switches off) The inverter is in night time switch-off mode (input voltage less than 70% of the set start-up voltage and AC grid is missing).
green: ⊗ yellow: ○ red: ○	Inverter initialization / Waiting Sun This is a transitional state due to verification of the operating conditions. During this stage the inverter checks that the conditions for connecting to the grid are met.
green: ● yellow: ○ red: ○	The inverter is connected and is feeding power into the grid Normal operation. During this stage, the inverter automatically tracks and analyzes the photovoltaic generator’s maximum power point (MPP).
green: ⊗ yellow: ● red: ○	Missing grid Indicates lack of grid voltage. This condition does not allow the inverter to connect to the grid.
green: ⊛ yellow: ● red: ○	Warning indication: (W message codes) or Error: (E message codes) - Indicates that the inverter control system has detected a warning (W) or error (E). It is possible to identify the type of problem generated in the dedicated section of integrated Web User Interface (“Inverter Log” section).

LED status	Operating state
green: ○ yellow: ● red: ○	Temperature protection trip Indicates that the trip relating to internal temperatures (insufficient or excessive temperature) may have been activated.
green: ● yellow: ⊗ red: ○	Ventilation anomaly Indicates an anomaly in the operation of the internal ventilation system that could limit output power at high ambient temperatures.
	Overvoltage surge arresters triggered (where fitted) Indicates that any class II overvoltage surge arresters installed on the AC or DC side have been triggered
	Internal statistics memory anomaly Indicates an operating anomaly in the internal memory on which the inverter statistics are stored
	Buffer battery discharged The buffer battery is low and the inverter does not maintain the time setting
green: ○ yellow: ⊗ red: ○	Pre-commissioning phase (first start-up of inverter) The commissioning of the inverter must be completed through the Installation wizard steps (Web User Interface) or using the FIMER Installer for Solar Inverters mobile APP
	Initial configuration failure The inverter is in locked state due to a failure in the initial configuration of the equipment, such as the standard network setting for the country of installation
	Incompatibility of the device firmware versions The firmware versions of the various devices comprising the equipment are incompatible and are being updated (this is an automatic operation)
	Temperature sensor anomaly detected
green: ⊗ yellow: ○ red: ○	Remote OFF activated The Remote Off command has been activated. The unit will not connect to the network until the remote ON command has been activated
green: ○ yellow: ○ red: ●	Anomaly in the insulation system of the photovoltaic generator Indicates that a leakage to earth from the PV generator has been detected, causing the inverter to disconnect from the grid.
green: ○ yellow: ● red: ●	DC arc fault detected during operation If a DC arc fault is detected during operation, the inverter disconnects from AC grid (the error code is readable through internal Webserver).
green: ○ yellow: ● red: ⊗	AFD board self test failure Potential problem on the AFD board detected during self test phase

The following table shows all the possible status of “WLAN/LAN” LED on the LED panel **(08)** according to the operating status of the wireless or ethernet communication lines.

LED status	Operating state
Blue: ○	Wireless not configured or/and ethernet cable not connected.
Blue: ⊗	Scanning for available wireless networks.
Blue: ⊗	Trying to connect to a wireless network.
Blue: ●	Wireless or ethernet network is connected to the inverter and IP address is obtained.

7.4 Arc fault detection

The Arc Fault Circuit Protection required by NFPA 70 Article 690.11 is provided by the inverter.

The AFD performs a self-test when the system is started:

- If the self-test results are OK, the inverter will continue to AC grid connection.
- If a potential problem on the AFD board is detected, the self test will result in error E053.

During normal operation the input current is continually measured and analyzed. If a DC arc fault is detected during operation, the inverter disconnects from AC grid and generates an E050 error code (readable through internal Webserver).

Based on the above conditions, the LEDs behaviour is described in the table below:

	POWER	ALARM	GFI
Arc Fault pending	OFF	ON	ON
Self Test Failed	OFF	ON	Blinking (200ms period)

Press and hold the AFD reset button **(57)** on the right side of the DC wiring box for 3 seconds. This will clear the E050 error and restart the self test. If self-test results are OK, the inverter will reconnect to the AC grid; if the DC arc fault is still present, the inverter will result in error E050.

NOTE – Refer to the dedicated paragraph on chapter 8 for troubleshooting suggestions.

The AFD self-test can be manually started anytime using the following procedure:

1. Turn off the inverter (switching off both DC and AC switches),
2. Turn on both the DC and AC switches and wait for self-test result.

If the AFD trips frequently, it means arcs are occurring. Turn the inverter OFF and request service to do complete check of the system wiring, including all connections and junction boxes, to locate the problem.

7.5 Grid support functions and Voltage & Frequency trip limits

The inverter is equipped with advanced grid support functionality that is useful to support reactive loads and also assist in reliable operation of the utility grid in the presence of a large number of distributed energy generation sources. The grid support functions that are equipped on this inverter are described in the following sections.

The internal Webserver can be used to adjust grid parameters. A Wi-Fi connection to the inverter is required to modify settings using the internal Webserver.

- Voltage ride-through

This inverter provides parameters to respond to undervoltage and overvoltage events. The inverter is designed to operate normally within the specified operating range. If voltage excursions occur, the inverter is designed to continue operating normally or cease to export power for a specified delay. Beyond this programmed delay, the inverter disconnects from the grid in the event of an abnormal voltage condition.

- Frequency ride-through

This inverter provides parameters to respond to underfrequency and overfrequency events. If frequency excursions occur, the inverter is designed to continue operating normally for a specified delay. Beyond this programmed delay, the inverter disconnects from the grid in the event of an abnormal voltage condition.

- Reactive power control

The inverter provides several modes of operation for reactive power control and are described below:

- Disable: This is the default setting. Under this setting, the inverter exports with a power factor of 1.0.
- Fixed power factor control (Cosφ set): In this mode, the operator can set the output power factor to a fixed value. When enabled, a new value will be set in the inverter.
- Q Fixed (Q Set): Sets the reactive power to a fixed value. When enabled, a new value will be set

in the inverter.

- Power factor as function of output power (Watt/Cosφ Settings: Cosφ(P)): In this mode, the inverter reduces the power factor (cos-phi) as a function of the output power at a given operating point. The 4 points of the default curve, where you can set the % of Pmax values and related cos-phi, can be modified using the internal Webserver. When enabled, the curve will be set in the inverter.

- Dynamic Volt/VAR control (Volt/VAr Settings: Q(V)): Under this mode, the level of reactive power exported by the inverter is a function of the operating grid voltage, also known as a Volt/VAR curve. The 4 points of the default curve, where you can set the % of Vnom values and related % of Smax, can be modified using the internal Webserver. When enabled, the curve will be set in the inverter.

- Active Power Control

This inverter offers several modes for active power reduction.

- Active Power Curtailment: Sets a new value of active power as % of Pmax. When enabled, a new value will be set in the inverter.

- CEI Average VGrid Derating (only italian grid standard): Sets, after a specific threshold, an active power derating based on the average of Vac on 10 minutes as per CEI-021 italian grid standard.

- Volt/Watt settings: P(V). Under this mode, the level of active power exported by the inverter is a function of the operating grid voltage, also known as a Volt/Watt curve. The 4 points of the default curve, where you can set the % of Vnom values and related % of Pmax, can be modified using the internal Webserver. When enabled, the curve will be set in the inverter.

- Frequency/Watt function (Frequency Control: P(f)): In this mode, the inverter limits the active power as a function of the grid frequency.

- Ramp control

The inverter is designed to control the rate at which output power is increased, either at startup, or after a temporary low power condition on the PV array (such as fast shading). The following ramp controls are provided on this inverter.

- Normal ramp: The normal ramp defines the maximum rate at which the inverter can increase the output power under normal operation. The normal ramp control limits the fluctuations in the output power in order to prevent instabilities on the utility grid.

- Soft start: The soft-start ramp defines the maximum rate at which the inverter can increase the output power when the inverter is first starting up. This startup may occur on a daily basis or when the inverter restarts after an abnormal grid event has ended.

This inverter has been factory programmed to automatically disconnect from the utility distribution system in compliance with UL 1741 and IEEE 1547-2003 specifications. Default voltage and frequency trip limit and trip time settings to comply with these standards are shown in table below. The internal Webserver can be used to adjust Voltage and Frequency Trip Limit and Trip Time Parameters according to Grid requirements of installation country.

Condition	Utility source Voltage (V)	Utility source Frequency (Hz)	Max. time (sec) at 60Hz before cessation of current
A	< 0.50 Vnom (Fixed)	Rated (60Hz)	0.16 (default) Adj. Set Points 0.16 to 50s
B	0.50 Vnom ≤ V < 0.88 Vnom (Adj.)	Rated (60Hz)	2 (Default) Adj. Set Points 0.16 to 100 s
C	1.10 Vnom < V < 1.2 Vnom (Adj.)	Rated (60Hz)	1 (Default) Adj. Set Points 0.16 to 100 s
D	1.2 Vnom ≤ V (Fixed)	Rated (60Hz)	0.16 (Adj. 0.001 to 0.16s)
E	Rated	f > 60.5Hz (Default) Adj. 60.1 to 66.0 Hz	0.16 (Default) Adj. Set Points 0.16 to 1000 s
F	Rated	f < 59.3 Hz (Default) Adj. 50.0 to 59.9 Hz	0.16 (Default) Adj. Set Points 0.16 to 1000 s
G	Rated	f << 57.0 Hz (Default) Adj. 50.0 to 59.9 Hz	0.16 (Default) Adj. Set Points 0.16 to 1000 s
H	Rated	f >> 63.0 Hz (Default) Adj. 60.1 to 66.0 Hz	0.16 (Default) Adj. Set Points 0.16 to 1000 s

Reconnection 300s (Default) (Adjustable 20s to 1000s)

7.6 Connection to Web User Interface

The inverter is equipped with an advanced integrated Web User Interface that allow a full access to all configuration and comissioning parameters from any electronic device (laptop, tablet and smartphone).

7.6.1 Access to the Web User Interface

To access to the Web User Interface is required to connect a device equipped with wireless connection (such as tablet, laptop or smartphone).

Depending on the connection method choosen during the inverter commissioning phase ("Station Mode" or "AP Mode") it's required to follow one of the two procedures described below:

Connection to the inverter in "Station Mode"

- Enable the wireless connection on the device (tablet, smartphone or laptop) and connect it to the same wireless network to which the inverter is connected.
- Open an internet browser (reccomended browser: Chrome versions from v.55, Firefox versions from v.50) and enter the links (corresponding to the IP Address assigned by the router to the inverter, or the "Host Name") provided during the commissioning phase to access the login page.

NOTE – In order to use the "Host Name" as an alternative to the dynamic IP address, the Wi-Fi router to which the board is connected (when operating in "Station Mode") must provide the Domain Name System (DNS) service (contact the network administrator for further information regarding the presence or absence of the DNS service in the Wi-Fi router or how to enable it). In this way, even if the IP address assigned to the inverter should change over time, (dynamic IP), it will always be possible to use the same "Host Name" which will remain unchanged over time.

NOTE – The IP address assigned may vary for reasons connected to the wireless home router setup (for example, a very brief DHCP lease time). If verification of the address is required, it is usually possible to obtain the client list (and the corresponding IP addresses) from the wireless router administration panel.

If the "Host Name" was lost, it could be obtained writing this url:

`http://ABB-XX-XX-XX-XX-XX-XX.local`

replacing the "X" with the hex digits of the MAC address of the inverter (it can be found on the "Communication Identification label" placed on the side of the inverter or applied during the commissioning phase to the plant documentation).

Connection to the inverter in "AP Mode"

- Enable the wireless connection on the device which is being used for the board setup (tablet, smartphone or PC) and connect it to the Access Point created by the inverter system: the name of the wireless network created by the system that the connection should be established with, will be:

`ABB-XX-XX-XX-XX-XX-XX`

where "X" is a hex digit of the MAC address (MAC address can be found on the "Communication Identification label" placed on the side of the inverter or applied during the commissioning phase to the plant documentation).

- When required digit the PRODUCT KEY (printed on the "Communication Identification label" and applied during the commissioning phase to the plant documentation) as access point password.

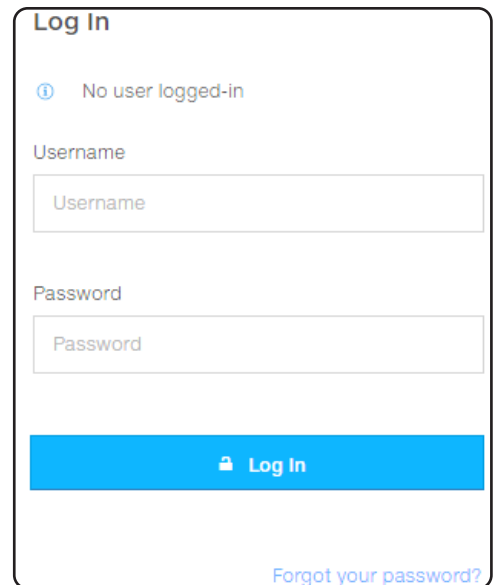
NOTE – It's required to digit also the dash "-" characters of the Product Key in the password field.

NOTE – In case of need, product key can be recovered by Aurora Vision Cloud of by calling FIMER technical support.

- Open an internet browser (reccomended browser: Chrome versions from v.55, Firefox versions from v.50) and enter the pre-set IP address 192.168.117.1 to access the login page.

7.6.2 Web UI - Login page

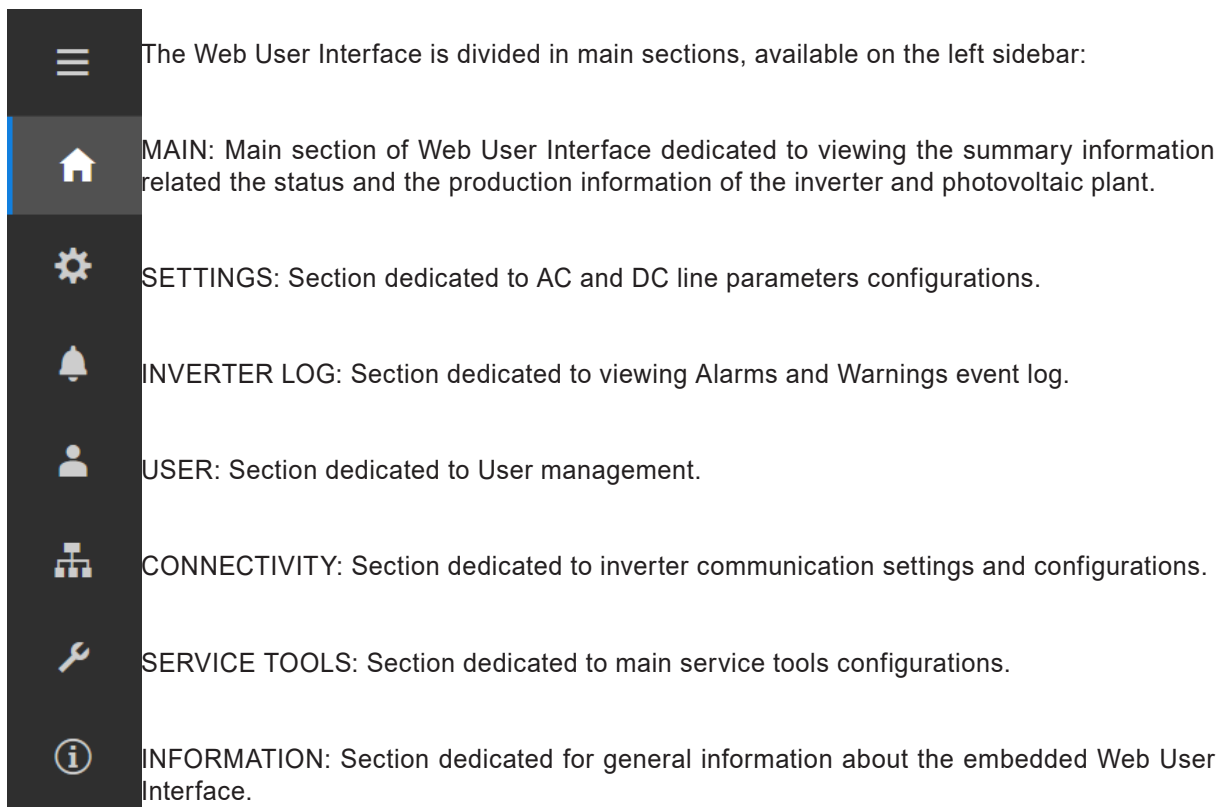
After you have connected the device to the inverter and you access to the login page, login with the username and password created during the commissioning phase.



- NOTE** – User and password are CASE SENSITIVE.
- NOTE** – If the Password is lost click on “Forgot your password?” to obtain the access to the Web User Interface (and it will be possible to change the password) by entering the PRODUCT KEY (printed on the “Communication Identification label” and applied during the commissioning phase to the plant documentation).
- NOTE** – The language of the wizard could be changed by clicking on the upper status bar

7.7 Web User Interface menu structure

- NOTE** – The following screenshots are related from a laptop visualization, may differ from smartphone or tablet visualization.



The Web User Interface is divided in main sections, available on the left sidebar:

- MAIN:** Main section of Web User Interface dedicated to viewing the summary information related the status and the production information of the inverter and photovoltaic plant.
- SETTINGS:** Section dedicated to AC and DC line parameters configurations.
- INVERTER LOG:** Section dedicated to viewing Alarms and Warnings event log.
- USER:** Section dedicated to User management.
- CONNECTIVITY:** Section dedicated to inverter communication settings and configurations.
- SERVICE TOOLS:** Section dedicated to main service tools configurations.
- INFORMATION:** Section dedicated for general information about the embedded Web User Interface.

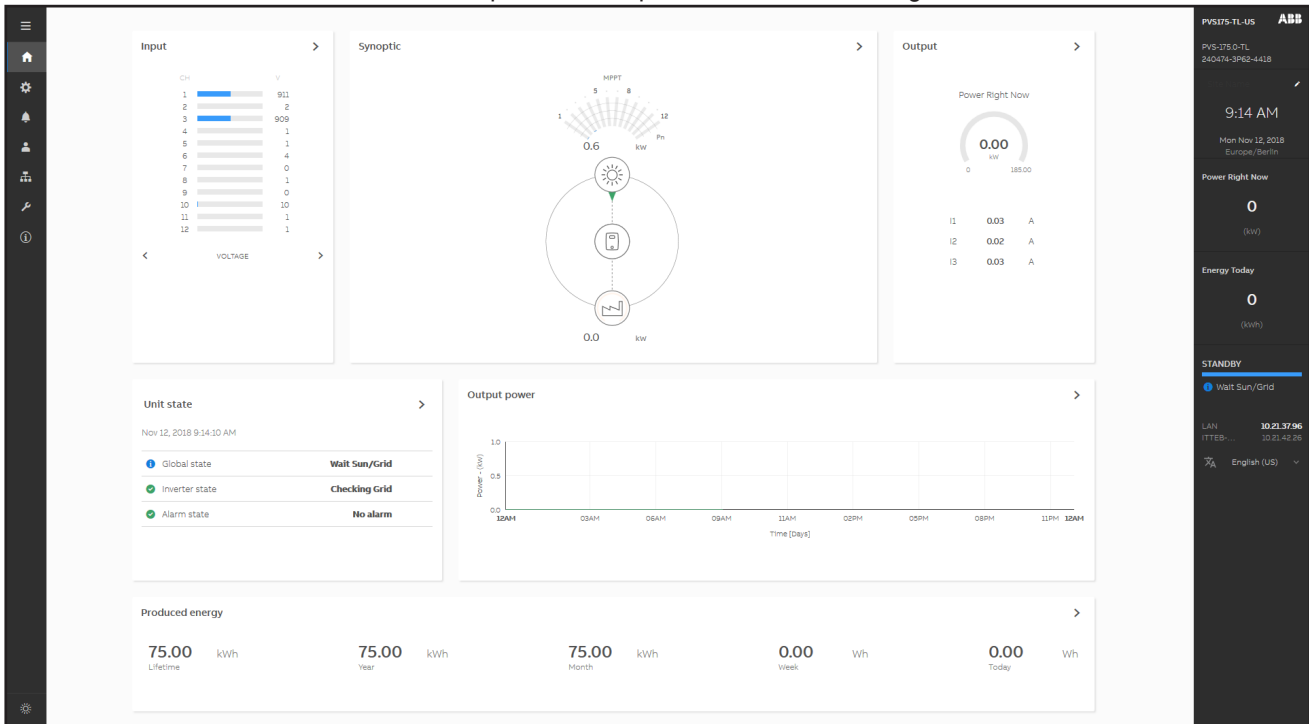


7.7.1 MAIN menu

In the MAIN section it's possible to access the following sub-menus:
DASHBOARD
STATUS SUMMARY

DASHBOARD

In the Dashboard sub-menu you can view the main information related the status and the production information of the inverter and photovoltaic plant and alarm/warning active events.



STATUS SUMMARY

In the Status Summary sub-menu you can view the detailed information related the status and the production information of the system.



7.7.2 SETTINGS menu

In the SETTINGS section it's possible to access the following sub-menus:
INVERTER PARAMETERS

- AC output Rating (Only visible with Admin Plus privileges)
- AC Settings (Only visible with Admin Plus privileges)
- Active Power Control (Only visible with Admin Plus privileges)
- DC Settings
- Digital Inputs
- Frequency Control: P(f) (Only visible with Admin Plus privileges)
- Ramp Control (Only visible with Admin Plus privileges)
- Reactive Power Control (Only visible with Admin Plus privileges)

DIGITAL OUTPUTS

INVERTER PARAMETERS > AC output Rating (Only visible and editable with Admin Plus privileges)
In the AC output Rating sub-menu you can config the output power limitation by changing the Maximum AC output power and the maximum apparent output power parameters.

NOTE – Do not change these parameters if not requested by the grid operator.

INVERTER PARAMETERS > AC Settings (Only visible with Admin Plus privileges)

In the AC Settings sub-menu you can setup the parameter related to the Output AC side.

NOTE – Changing the above-mentioned parameters may prevent disconnection from the grid if the new values exceed those given in the standards of the country of installation. If these parameters are changed to values outside the standard range, an interface protection must be installed external to the inverter in accordance with the requirements of the country of installation.

- Grid Connection

By editing these settings it's possible to change the grid connection thresholds parameters to which the inverter have to connect to the grid.

- Grid Protections + VRT/FRT

By editing these settings it's possible to enable/disable and change the grid protection intervention thresholds parameters. In addition it is possible to change voltage ride through (HVRT, LVRT) and frequency ride through (HFRT, LFRT) settings.

INVERTER PARAMETERS > Active Power Control (Only visible and editable with Admin Plus privileges)

In the Active Power Control sub-menu you can config settings related to the active power derating parameters using the following parameters groups:

- Active Power Curtailment

- CEI Average VGrid Derating

- Volt/Watt settings: P(V)

NOTE – Do not change these parameters if not requested by the grid operator.

INVERTER PARAMETERS > DC Settings

In the DC Settings sub-menu you can setup the parameter related to the Input DC side.

- Multiple Max Scan Enable

This settings allows you to Enables/disables the scan for identifying the maximum power point of the system.

- Multiple Max Scan Period - Value

This settings allows you to sets the time between scans. Remember that the shorter the scan interval the greater the loss of production, due to the fact that energy is transferred to the grid during the scan but not at the maximum power point. Each scan takes roughly 2 seconds.

- UV Protection Time - Value

This section of the menu allows you to sets the time for which the inverter stays connected to the grid after the input voltage has dropped below the Under Voltage limit (set at 70% of Vstart).

NOTE – 60 seconds is the default setting.

- VStart 1...16 New Value

These parameters are used to sets the Vstart activation voltage for the related input channel. This voltage imposes a minimum input voltage on the inverter above which connection to the grid will be attempted.

NOTE – Change the activation voltage only if really necessary and to set it to the correct value: the photovoltaic generator sizing tool available on the FIMER website will indicate whether Vstart needs to be changed and what value have to be set.

INVERTER PARAMETERS > Digital Inputs

In the Digital Inputs sub-menu you can disable or enable the Remote ON/OFF functionality related to the "Remote" terminal block **(38)**.

INVERTER PARAMETERS > Frequency Control: P(f) (Only visible and editable with Admin Plus privileges)

In the Frequency Control: P(f) sub-menu you can config settings related to the active power derating as function of grid frequency.

NOTE – Do not change these parameters if not requested by the grid operator.

INVERTER PARAMETERS > Ramp Control (Only visible and editable with Admin Plus privileges)
 In the Ramp Control sub-menu you can config the parameter related to the active power ramp up at the start-up and after a grid fault event.

NOTE – Do not change these parameters if not requested by the grid operator.

INVERTER PARAMETERS > Reactive Power Control (Only visible and editable with Admin Plus privileges)

In the Reactive Power Control sub-menu you can configure settings related the reactive power parameters using the following parameters groups:


- Cosphi Set
- Q Set
- Volt/VAr Settings: Q(V)
- Watt/Cosphi Settings: Cosphi(P)

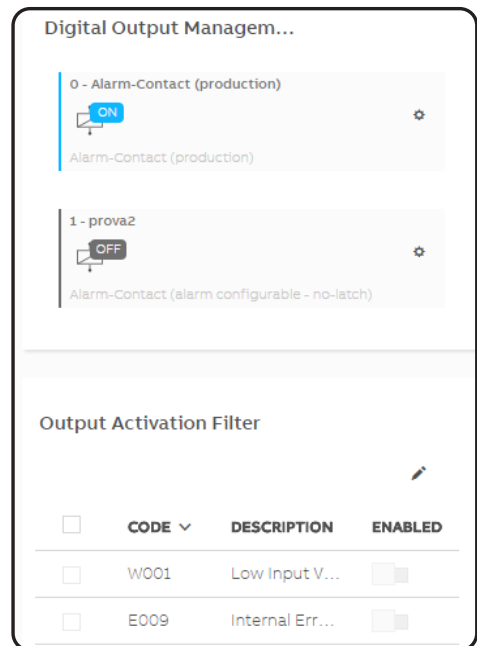
NOTE – Do not change these parameters if not requested by the grid operator.

DIGITAL OUTPUTS

In the Digital Outputs menu it's possible to set the activation status of the two configurable relays related to "ALARM" terminal block (33) (refer to "Configurable Relay connection (ALARM and AUX)" chapter to know how to connect to these terminal block) and to configure customised alarm conditions.

This contact can be used, for example, to activate a siren or a visual alarm, control the disconnect device of an external transformer, or control an external device.

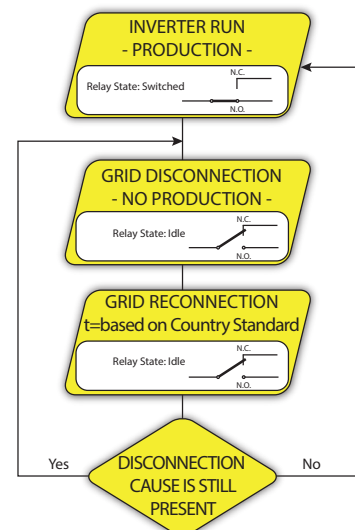
Relay switching can be set in different modes using the setting icon : With "Output active filter" you can select the list of events for which the relays switch.



The available operating mode are:

- Production

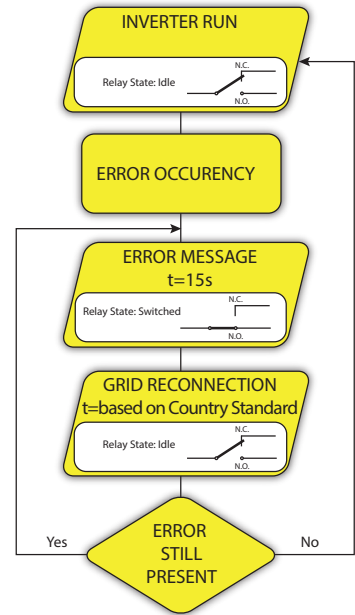
The relay is activated (status: switched) whenever the inverter connects to the grid; as soon as the inverter is disconnected from the grid (for whatever reason that caused disconnection), the relay is in its resting position.



- Alarm ALL - no-latch

The relay is activated (status: switched) whenever an error (code Exxx) or warnings related to grid parameters out of range (Warning – codes W003, W004, W005, W006, W007) are present on the inverter. The alarm contact returns to its resting position when the alarm signal ends, i.e. before the inverter checks the grid parameters after the alarm state. This is because grid control state is not an alarm state but a state of normal operation.

Alarms for which the relay is activated					
E001	E002	E003	E004	E005	E006
E007	E009	E010	E011	E012	E013
E014	E015	E016	E017	E018	E019
E020	E021	E022	E023	E024	E025
E026	E027	E028	E029	E030	E031
E032	E033	E034	E035	E036	E037
E046	E050	E053	E054	E055	E056
E057	E058	E077	E078	E081	E084
E089	W003	W004	W005	W006	W007

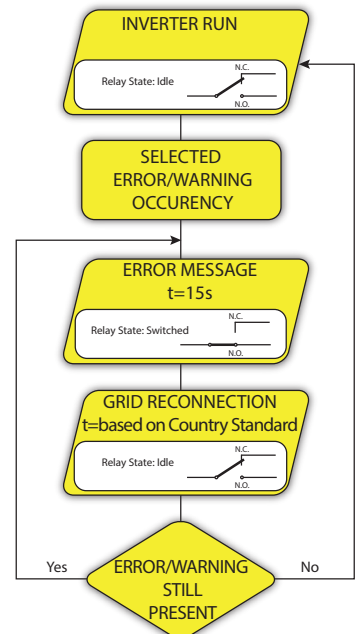


In the presence of W003, W004, W005, W006, W007 signalling, the alarm contact switches to then reset itself at the end of the alarm signal. This means that during the absence of grid voltage (display message “Missing Grid”) the alarm contact remains in its resting position.

- Alarm Configurable - no-latch

The relay is activated (status: switched) whenever an error (code Exxx) or a warning (code Wxxx) is among those selected from the list in the dedicated submenu Alarm Config. The contact returns to its resting position when the alarm signal ends, i.e. before the inverter checks the grid after the alarm state. This is because grid control state is not an alarm state but a state of normal operation.

Selectable alarms for which the relay is activated					
E001	E002	E003	E004	E005	E006
E007	E009	E010	E011	E012	E013
E014	E015	E016	E017	E018	E019
E020	E021	E022	E023	E024	E025
E026	E027	E028	E029	E030	E031
E032	E033	E034	E035	E036	E037
E046	E050	E053	E054	E055	E056
E057	E058	E077	E078	E081	E084
E089	W001	W002	W003	W004	W005
W006	W007	W009	W011	W015	W046
W047	W048	W051	W058	W059	



For the configurable relay operating mode “Alarm Conf.”, the following considerations are valid:

If the alarm condition is persistent, the alarm contact cyclically switches from its resting state to its activated state.

In the presence of W002 signalling (Input UV – input voltage below the limit of operation), the alarm contact switches to then reset itself at the end of the alarm signal. This means that during the reduced input voltage (display message “Waiting Sun”) the alarm contact remains in its resting position.

In the presence of W003, W004, W005, W006, W007 signalling, the alarm contact switches to then reset itself at the end of the alarm signal.

This means that during the absence of grid voltage (display message “Missing Grid”) the alarm contact remains in its resting position.

- Crepuscular

The relay is activated (status: switched) as soon as the inverter input voltage exceeds the activation voltage set.

The relay is in its rest position when the input voltage drops below 70% of the activation voltage set.

This mode is useful for disconnecting any output transformers that could have unnecessary consumption during the night.

- Alarm ALL - latch

The relay is activated (status: switched) whenever an error (code Exxx) or a warning (code Wxxx) is present (see the table below). The contact returns to its resting position when the inverter returns to its normal operating state and reconnects to the grid.

Alarms for which the relay is activated

E001	E002	E003	E004	E005	E006
E007	E009	E010	E011	E012	E013
E014	E015	E016	E017	E018	E019
E020	E021	E022	E023	E024	E025
E026	E027	E028	E029	E030	E031
E032	E033	E034	E035	E036	E037
E046	E050	E053	E054	E055	E056
E057	E058	E077	E078	E081	E084
E089	W003	W004	W005	W006	W007

If the alarm condition is persistent, the relay will remain activated (status:switched)

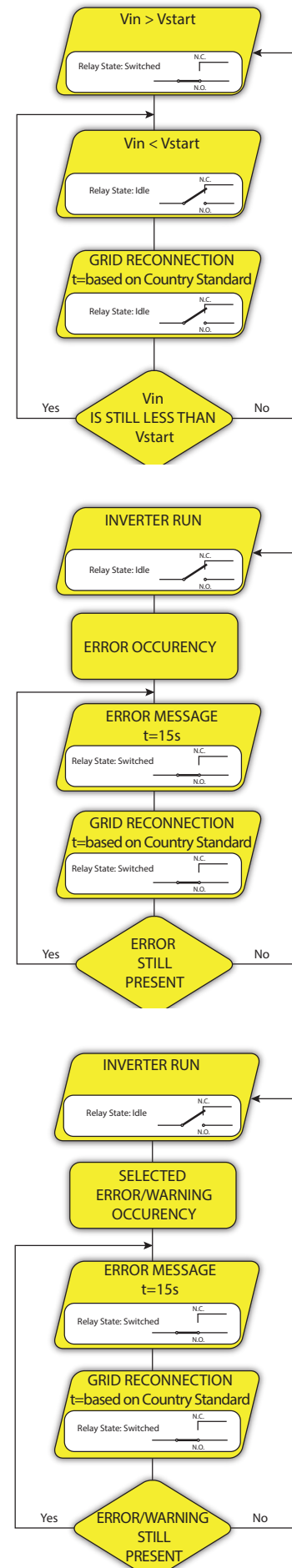
- Alarm configurable - latch

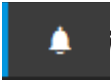
The relay is activated (status: switched) whenever an error (code Exxx) or a warning (code Wxxx) is among those selected from the list in the dedicated submenu Alarm Config (see the table below). The contact returns to its resting position when the inverter returns to its normal operating state and reconnects to the grid.

Selectable alarms for which the relay is activated

E001	E002	E003	E004	E005	E006
E007	E009	E010	E011	E012	E013
E014	E015	E016	E017	E018	E019
E020	E021	E022	E023	E024	E025
E026	E027	E028	E029	E030	E031
E032	E033	E034	E035	E036	E037
E046	E050	E053	E054	E055	E056
E057	E058	E077	E078	E081	E084
E089	W001	W002	W003	W004	W005
W006	W007	W009	W011	W015	W046
W047	W048	W051	W058	W059	

If the alarm condition is persistent, the relay will remain activated (status:switched)

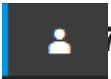
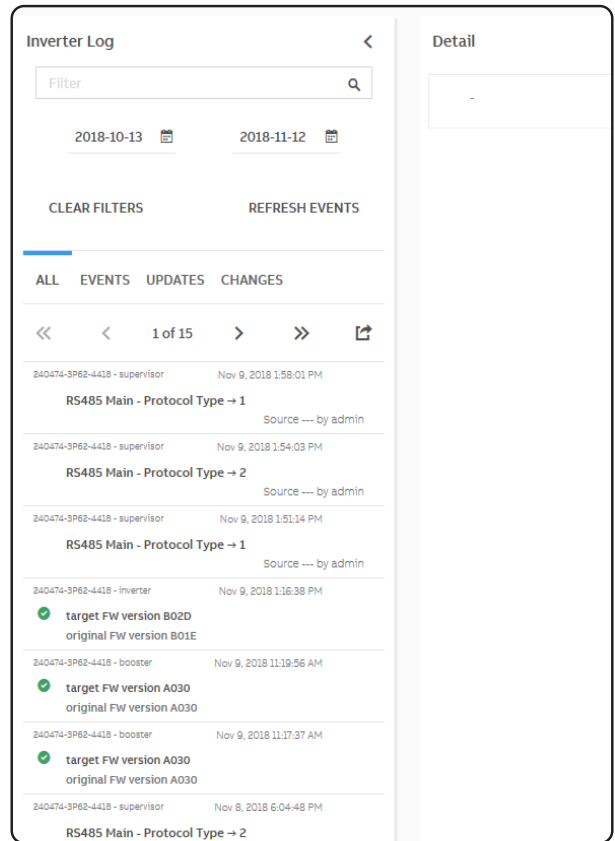




7.7.3 INVERTER LOG menu

In the INVERTER LOG Section it's possible to view the Alarm and Warning events list that it can be custom filtered by type or by entering a matching word.

Clicking on any event to view its details.



7.7.4 USER menu

In the USER section it's possible to logout from Web User Interface and return to the login page, or to access the following sub-menus:

- EDIT EMAIL AND PASSWORD
- ADMIN PLUS
- USER MANAGEMENT

EDIT EMAIL AND PASSWORD

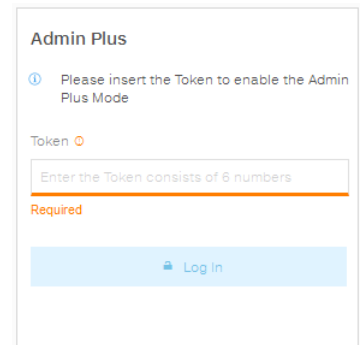
In the Edit Email and Password sub-menu you can change the e-mail and password related to the user which is used to login to the Web User Interface:

ADMIN PLUS

By accessing to the Admin Plus sub-menu you can obtain the "Admin Plus" user privileges which allow you to:

- View and edit the AC Settings, Reactive Power Control, Ramp Control, Active Power Control and Frequency Control: P(f) sub-menus on SETTINGS section.
- Change the grid standard of the inverter, after 24 hours while the inverter is operating (so the Country Standard sub-menu on SERVICE TOOLS section is locked).
- Access the "Reset Manufacturing" sub-menu on SERVICE TOOLS section.

To access on the Web User Interface with the "Admin Plus" user privileges it's required to enter a security token that can be obtained by registering on the website <https://registration.solar.fimer.com>. Refer to the dedicated section on this topic in the manual.



USER MANAGEMENT

By accessing to the User Management sub-menu it's possible to edit all the users already created and create new users (both with admin or User privileges).



7.7.5 CONNECTIVITY menu

In the CONNECTIVITY section it's possible to access the following sub-menus:

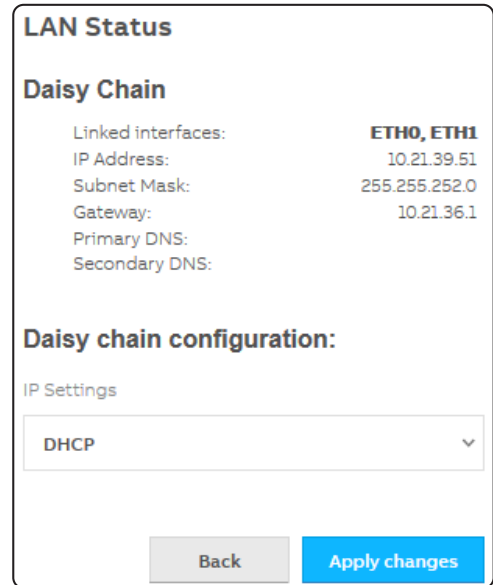
- LAN
- WLAN
- RS485
- DEBUG SETTINGS
- MODBUS

LAN

In the LAN sub-menu it's possible to view the status and change the daisy chain configuration of the two ethernet ports **(40)** **(41)** of the inverter.

- Daisy chain configuration: DHCP or Static:
By selecting the DHCP function (default setup) the router will automatically assign a dynamic IP address to the inverter whenever it tries to connect to the user network.

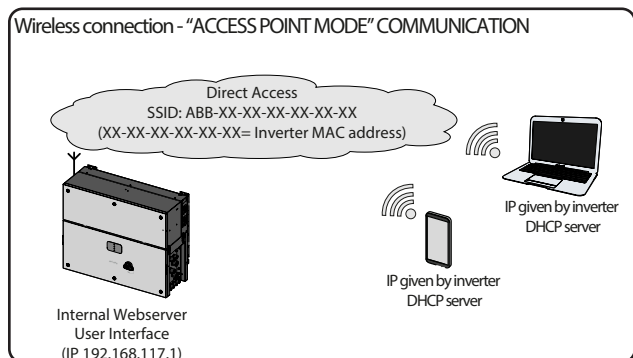
With Static, the user can assign a fixed IP address to the system. The data which has to be entered in order for IP static address assigning to take place will appear. Complete the additional fields at the bottom of the screen (all the fields are mandatory with the exception of the secondary DNS server).



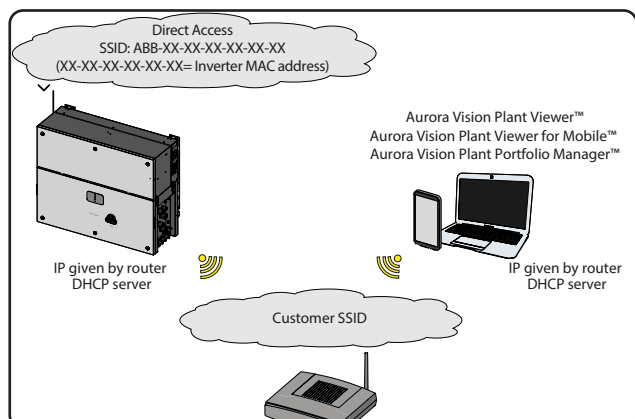
WLAN

In the WLAN sub-menu it's possible to view the status of the two wireless channels of the inverter, and to disconnect the channel 2.

Channel 1: "Access Point mode": Only local communication is enabled in this mode; In particular, the WLAN acts like an «access point» generating a wireless network to which the user can connect locally, configure the inverter / photovoltaic system, using the direct access to the embedded Web User Interface




Channel 2 "Station Mode": In this operating mode is possible to connect the inverter to a WI-Fi router; in this condition remote monitoring is enabled accessing to Aurora Vision® CLOUD platform.



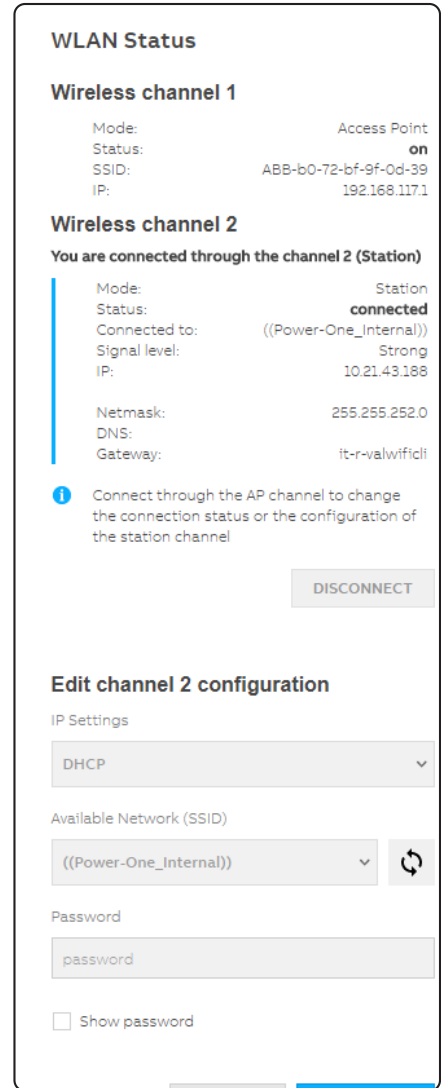
In case of connection to channel 2 ("Station Mode"), it will be required to enter the wireless network parameters (set on the router) and follow the subsequent procedure:

- IP Selection Mode: DHCP or Static:
By selecting the DHCP function (default setup) the router will automatically assign a dynamic IP address to the inverter whenever it tries to connect to the user network.

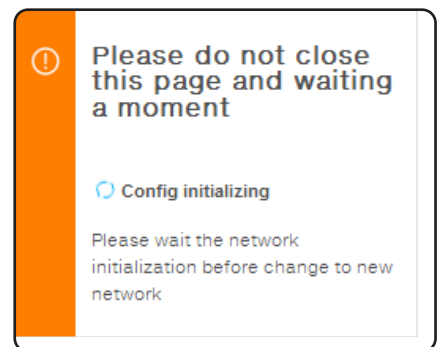
With Static, the user can assign a fixed IP address to the system. The data which has to be entered in order for IP static address assigning to take place will appear. Complete the additional fields at the bottom of the screen (all the fields are mandatory with the exception of the secondary DNS server).

- SSID (name of wireless network):
Identify and select your own (home) wireless network from all those shown in the SSID field (you can carry out a new search of the networks that can be detected with the Update button ).
Once the network has been selected, confirm.

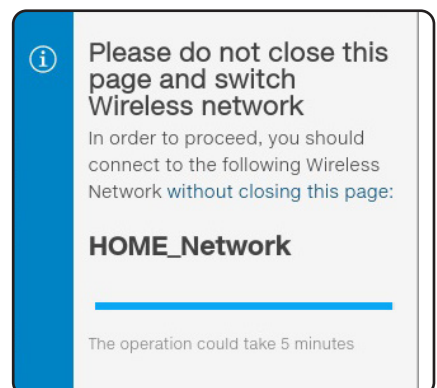
- Password (wireless network password):
Enter the password for the destination network (if necessary) and start the connection attempt (it will take a few seconds).



Click on "Connect"

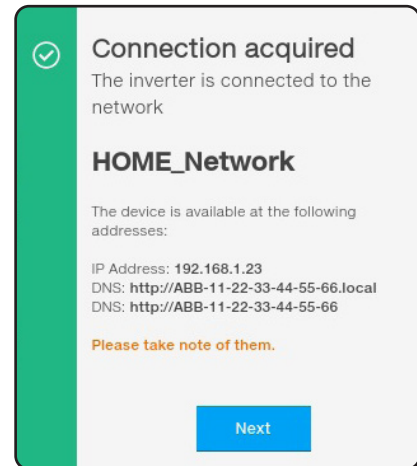


Once the inverter is associated with a wireless network, the user must switch the tablet/smartphone/PC to the same wireless network which the inverter is connected.



Once the tablet/smartphone/PC device is switched to the local wireless network a new message will confirm that the connection is acquired.

Click the “Next” button” to complete the setup of “Station Mode”



NOTE – In order to use the “Host Name” as an alternative to the dynamic IP address, the Wi-Fi router to which the board is connected (when operating in “Station Mode”) must provide the Domain Name System (DNS) service (contact the network administrator for further information regarding the presence or absence of the DNS service in the Wi-Fi router or how to enable it). In this way, even if the IP address assigned to the inverter should change over time, (dynamic IP), it will always be possible to use the same “Host Name” which will remain unchanged over time.

NOTE – The IP address assigned may vary for reasons connected to the wireless home router setup (for example, a very brief DHCP lease time). If verification of the address is required, it is usually possible to obtain the client list (and the corresponding IP addresses) from the wireless router administration panel.

RS485

In the RS485 sub-menu it’s possible to adjust the settings relating to the RS485_main communication port (39) (refer to the “Serial communication connection“ chapter for info about where this port is located). In particular it is possible to set:

- RS485 Node address: It allows you to sets the address (any value from 2 to 63 is allowed).
- RS485 Baud Rate: It allows you to sets the Baud Rate (accepted value are: 2400/4800/9600/19200/34800/57600/115200).
- RS485 Parity Mode: It allows you to set the Parity bit (please select among No Parity, Even Parity, Odd Parity).
- RS485 Protocol Type: It allows you to sets the communication protocol to be used for the RS485 line when the port is set as SLAVE or to enable the port itself to work in MASTER mode (refer to the “Serial communication connection“ chapter for further info on SLAVE and MASTER operating mode allowed). In particular it is possible to select among the following value:
 - “Modbus SunSpec Server”: SunSpec (please refer to official SunSpec Alliance documentation at www.sunspec.org, for details on SunSpec communication protocol.) complaint Modbus RTU communication protocol enabling monitoring and controlling of the inverter by FIMER as well as third party systems (SLAVE operating mode).
 - “Device Acquisition”: Enables polling and logging of data from FIMER supported accessories directly connected with the RS485 port like VSN800 Weather Station, digital environmental sensors, meters (MASTER operating mode).

DEBUG SETTINGS

In the Debug Settings sub-menu it’s possible to enable or disable the Debugging access for FIMER Service purposes.

MODBUS

In the Modbus sub-menu it's possible to enable and set parameters related to external monitoring and control systems over ethernet/wireless channels ("TCP/IP" section) or over RS485 communication line ("RTU" section).

- TCP/IP

In the TCP / IP (WLAN / LAN) section there are different settings based on the type of external device connected to the inverter.

1. If the inverter acts as CLIENT and the external device as SERVER:

- click the "Edit" button and select the type of external device
- According to the device, select the communication protocol
- click the [+] button and the added device is displayed
- change the SLAVE ID / NAME / IP ADDRESS / DEVICE settings and save them.

2. If the inverter acts as a SERVER, set the port communication protocol only (Communication protocol server)

TCP/IP

Communication protocol Server: Sunspec Protocol

Enabling monitoring of devices connected over Local Area Network

Used port: 502

Add device: Generic SunSpec Device

STATE	SLAVE ID	NAME	IP ADDRESS	PORT	DEVICE
	1-247	Device name	0.0.0.0	502	Generic SunSpec Device

- RTU

Select one of the following Operating Modes: Modbus SunSpec, Device Acquisition.

1. Modbus SunSpec Server: Select "Edit RS485", Select Protocol Type as "Modbus SunSpec Server". Configure Node Address, Baud Rate, Parity. Please note that this will delete the previous configuration.

2. Device Acquisition: Select "Edit RS485". Select Protocol Type as "Device Acquisition". Configure Baud Rate, Parity. Please note that this will delete the previous configuration.

Click "Edit" button

Select device type in the "Add device" field. It's possible to choose between "Generic SunSpec Device" and "FIMER B23/24 Power Meter", then click the [+] button to add the new device.

Change the SLAVE ID / "NAME" if necessary and save

RTU

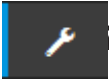
RS485 Main - Node Address 1, Modbus ABB Server, 19200 bps, No Parity

Enabling monitoring of devices connected over Serial Ports

Operating mode: Device Acquisition

Add device: Generic SunSpec Device

STATE	SLAVE ID	NAME	DEVICE
	1-247	Device Name	Generic SunSpec Device



7.7.6 SERVICE TOOLS menu

In the SERVICE TOOLS section it's possible to access the following sub-menus:

FIRMWARE UPDATE

CONNECTIVITY CHECK

COUNTRY STANDARD

DATE/TIME

RESET MANUFACTURING (Only visible with Admin Plus privileges)

FIRMWARE UPDATE

By accessing to the Firmware Update sub-menu you can upgrade the firmware of the inverter and his components selecting a Remote firmware Update or a Local firmware Update.

⚠ ATTENTION – This inverter can be powered both with AC or DC sources. In case of DC source only is used, Perform the update during good irradiation conditions (avoid the dawn and dusk hours).

⚠ ATTENTION – An interruption of updating process could damage the inverter!

- Remote firmware Update:

In remote mode, the firmware will update automatically, searching the last available firmware on FIMER servers, by clicking the “CHECK” button.

i Checking Available Firmware
This operation may take a few minutes.

At the end of the verification process the available release will be notified on the bottom part of the section

Click on “UPDATE” button to start with the updating process.

i Firmware update for Logger
The operation may take several minutes.
After the system will reboot

- Overnight update mode:

By selecting this mode, the firmware will be automatically updated during the night. In this way it's possible to avoid energy harvesting interruption due to update process.

- Local firmware Update:

By updating in local mode, the firmware have to be selected and uploaded from local folder of the devices used to access to the web server.

The latest firmware version is available from the download area of the website www.fimer.com or from <https://registration.solar.fimer.com>

Click on “FW SELECT” and select the firmware package previously downloaded.

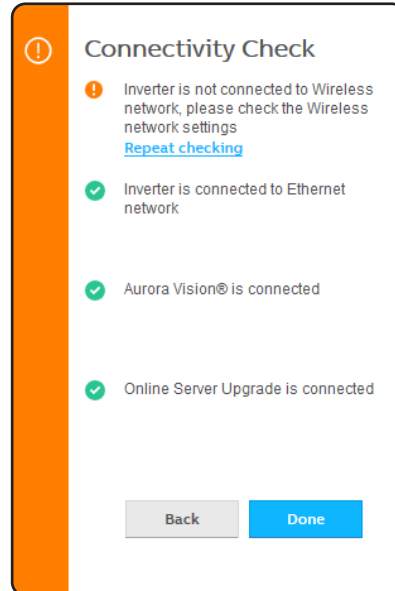
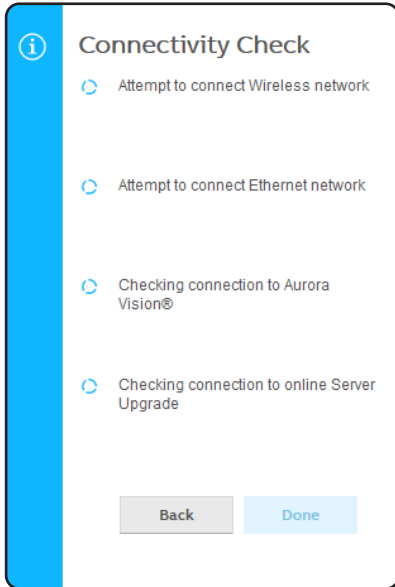
i Firmware Upload
This operation may take a few minutes.

Click on “UPDATE” button to start with the updating process.

i Firmware update for Logger
The operation may take several minutes.
After the system will reboot

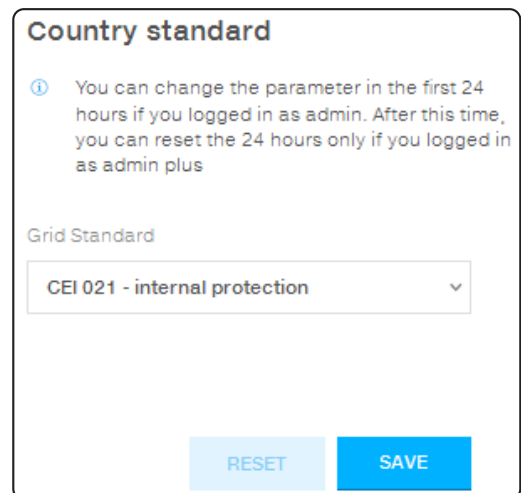
CONNECTIVITY CHECK

In the Connectivity Check sub-menu it's possible to carry out connectivity tests of the wireless network connection, ethernet connection, connection to Aurora Vision and firmware upgrade servers. At the end of the test it will be reported the detail of the results.



COUNTRY STANDARD

By accessing to the Country Standard sub-menu you can modify the grid standard within 24 hours while the inverter is operating.



⚠ ATTENTION – After the grid standard is set you have 24 hours to make any changes to the grid standard value; 24 hours later the Country Standard sub-menu will be locked, and any subsequent changes can only be made accessing with Admin Plus privileges. Refer to the dedicated section on this topic in the manual to know how to unlock the Country Standard sub-menu.

DATE AND TIME

In the Date and Time sub-menu it's possible to set the date, time and time zone.

The inverter will propose these fields when the time protocol is available).

When it's not possible for the inverter to detect the time protocol, these fields have to be manually entered.

Date and Time

✓ Network Time Protocol server has been detected and it will be used to keep the system clock synchronized.

Date ✓
Feb 22, 2017
SET by the NTP server

Time ✓
4:52 PM
SET by the NTP server

Time Zone
Europe/Berlin GMT+01:00

SAVE

RESET MANUFACTURING (Only visible and editable with Admin Plus privileges)

In the Reset Manufacturing sub-menu it's possible to factory reset the settings related to country standard and related to communication parameters:

- Reset Country Std and Restore Default: Reset country standard and restore communication parameters to default. The inverter connectivity will be reboot after the operation.
- Reset Country Standard: Reset ONLY country standard. The inverter connectivity will be reboot after the operation.
- Reset to Default: Reset ONLY communication parameters (not country standard). The inverter connectivity will be reboot after the operation.
- Connectivity Reboot: Reboot of the inverter connectivity.



7.7.7 INFORMATION menu

In the INFORMATION Section it's possible to view the general information about the embedded Web User Interface.

it's possible to access the following sub-menus:

PRODUCT INFO
PRIVACY POLICY
PROVIDER INFORMATION/IMPRESSUM
ACKNOWLEDGMENTS
RELEASE NOTES

8. Maintenance

8

8.1 General conditions

Routine and periodic maintenance operations must only be carried out by specialized staff with knowledge of how to perform these tasks.

⚠ WARNING – Some inverter parts may be subject to voltages that could be hazardous for the operator. Before performing any work on the inverter, refer to “Inverter total de-energization and safe access” chapter on this manual to know all the necessary steps to safely operate on the inverter.

⊘ FORBIDDEN – For cleaning, DO NOT use rags made of filamentary material or corrosive products that may corrode the equipment or generate electrostatic charges.

⚠ WARNING – Avoid temporary repairs. All repairs should be carried out using only genuine spare parts.

⚠ WARNING – The maintenance technician is to promptly report any anomalies.

DO NOT allow the equipment to be used if problems of any kind are found.

⚠ ATTENTION – Always use personal protective equipment (PPE) provided by the employer and comply with local safety regulations.

8.2 Inverter total de-energization and safe access

The purpose of this chapter is to provide instructions for de-energize the PVS-175-TL inverters in order to allow access to active parts inside the inverter. The procedure describes the steps to perform a total isolation and thus includes operations on devices that are located outside the inverter. The total isolation approach consider the disconnection of the inverter from any possible voltage source to which the inverter may be connected. In the procedure the test of residual voltage potentially present inside the inverter is included. This procedure is intended exclusively to be used by skilled or trained persons in accordance with safety standards EN 50110-1 and EN 50110-2 (CENELEC/CEN) or equivalent standards. Furthermore, only these skilled or trained persons are permitted to carry out the procedure.

8.2.1 Operator and maintenance personnel skills/prerequisites

NOTE – Personnel in charge of using and maintaining the equipment must be skilled for the described tasks and must reliably demonstrate their capacity to correctly interpret what is described in the manual.

ATTENTION – For safety reasons, the installation must be performed by qualified installers and/or licensed electricians in accordance with the existing regulations in the country of installation and in accordance of all safety rules for performing electrical works. The installers must have demonstrated skills and knowledge of the inverter's structure and operation.

FORBIDDEN – Inverter operation and maintenance by a person who is NOT qualified, is intoxicated, or on narcotics, is strictly forbidden.

WARNING – The customer has civil liability for the qualification and mental or physical state of the personnel who interact with the equipment. They must always use the personal protective equipment (PPE) required by the laws of the country of destination and whatever is provided by their employer.

The following job requirements and qualifications are required to operate on the inverter:

- Compliance with all legal standard in force in the installation country to perform the electrical work described on this procedure.

8.2.2 Clothing and protection of personnel

The following Personal Protective Equipment (PPE) are required to perform any intervention on the inverter:

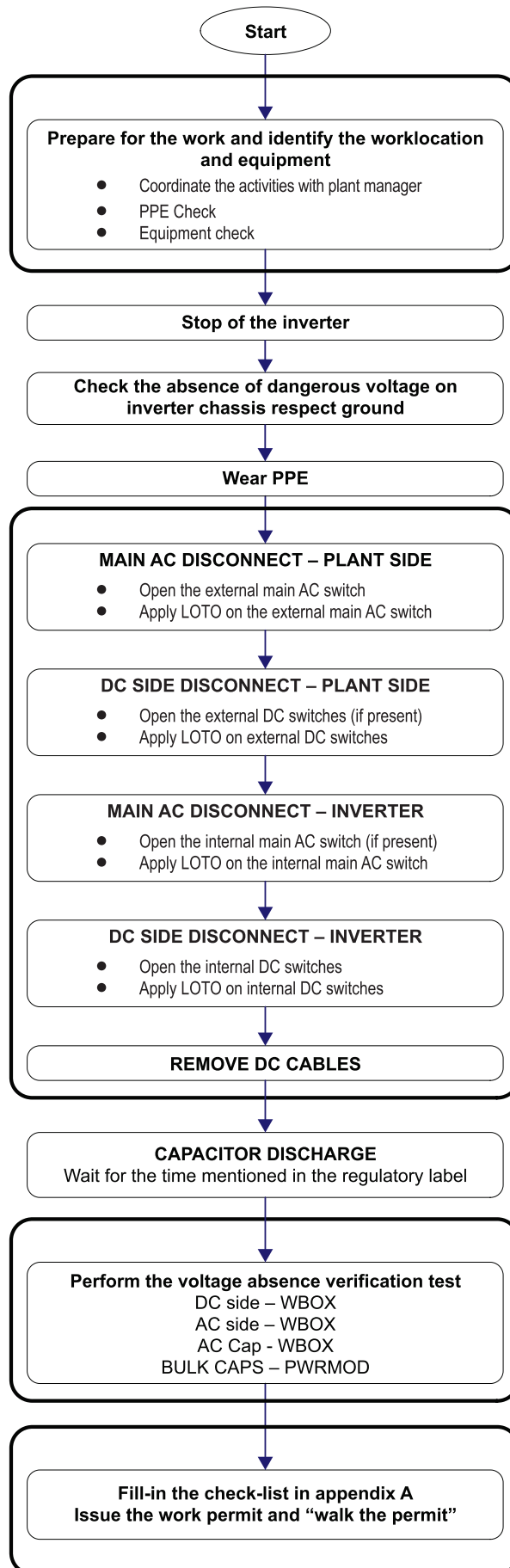
- Dielectric helmet EN397 – EN50365 (1000Vac-1500Vdc) with visor EN166 grade 8.
- Insulating composite gloves class 0 EN60903 (1000Vac-1500Vdc) resistant to electric arc class 2 (7kA) EN61482-1-2 in combination with protective overglove in leather EN420 – EN388.
- Work overall UNI EN 11612 A B1 C1 resistant to electric arc class 2 (7kA 1s.) CEI EN 61482-1-2.
- Safety shoes.

8.2.3 Safety equipment and tools

The following equipment and tools are required to perform any intervention on the inverter:

- Disconnect tool for DC side (PV) connectors (provided with PVS-175 Installation KIT).
- Voltage detector (EN 61243-2) capable of 3kVdc and up to 1kVac.
- DC current clamp.
- Safety tags “work in progress, do not operate”.
- Padlocks.

8.2.4 Inverter total de-energization and safe access procedure



HOT SURFACE – When the device has just been switched off, it may have hot parts as a result of overheating of the heated surfaces (e.g.: transformers, accumulators, coils, etc.) so be careful where you touch.

WARNING – Some inverter parts may be subject to voltages that could be hazardous for the operator. Before performing any work on the inverter, follow this procedure for safely isolate the inverter.

WARNING – Important note: It is important to remark the presence of auxiliary power supply connected to the AC grid. The inverter is supplied either by DC and AC power, so that the internal voltages are present even in case the DC switches **(16)** are open.

1. PRELIMINARY CHECKS

Weather conditions: In the risk assessment prior the intervention it is of paramount importance to evaluate the weather conditions. This procedure can be applied only in case of dry environment. Don't proceed in case of rain (even light) or high humidity.

PPE Check: Verify the integrity of the PPE that is going to be used to perform the operations.

Equipment check:

- Check the voltage tester is working correctly:
 - Perform an integrity check of the instrument in general; examine the test terminals, its integrity and make sure they are properly fixed; make sure the batteries level is enough high (don't use the instrument in case the message "LOW BATTERY" is present) or replace them.
 - Perform test of the instrument using an energized AC socket and a DC voltage source (example: battery in the service car) with known voltage level; in case the instrument is provided with a self-test feature, follow the instructions provided in the instrument manual to carry out the self-test.
- Check the voltage tester is working correctly:
- Check the DC current probe is properly working, make sure to perform the "ZERO-OFFSET" procedure and to select DC measurement range.

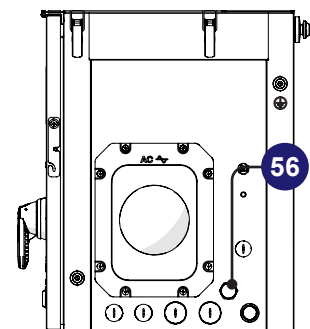
2. PPE

Wear the appropriate PPE for carrying out the operations (overall resistant to electric arc, dielectric helmet with visor, insulating gloves).

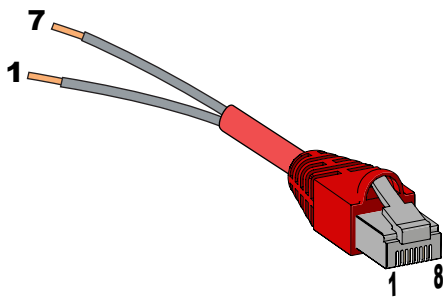
WARNING – All the following activities (till the completion of the procedure) must be performed wearing the PPE.

3. INVERTER TURN-OFF

The inverter have an external RJ45 connector **(56)** on which a RS485 service-related communication line and REMOTE OFF signal is provided.



- Prepare an RJ45 cable with the PIN 1 and PIN 7 bond together and properly isolated. The pin-out of the connector is the following



Pin No.	Function
1	Remote OFF
7	GND
1, 2, 4, 6, 8	Not used
3, 5	RS485 for FIMER Service operation

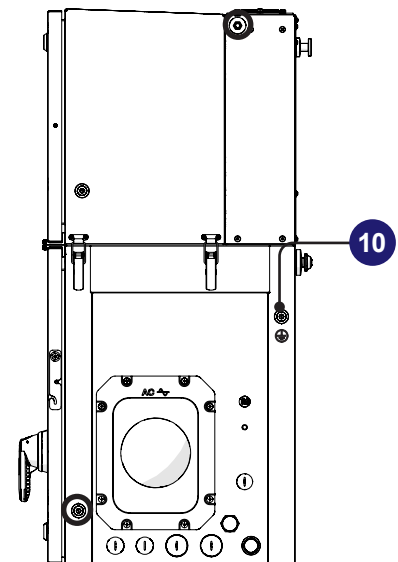
- Connect the modified RJ45 cable to the external RJ45 connector (**56**) to perform a soft shut-down of the inverter. The connection of the cable will cause the interruption of the operation of the inverter, i.e. it stops the IGBT switching, interrupts the injection of current into the grid and open the AC contactor.

⚠ WARNING – The REMOTE OFF function doesn't cause the disconnection of power sources from the inverter.

⚠ ATTENTION – Make sure to keep the jumper fitted in the RJ45 connector to ensure the inverter in OFF condition. Make sure to remove the cable from the connector prior to restart the inverter.

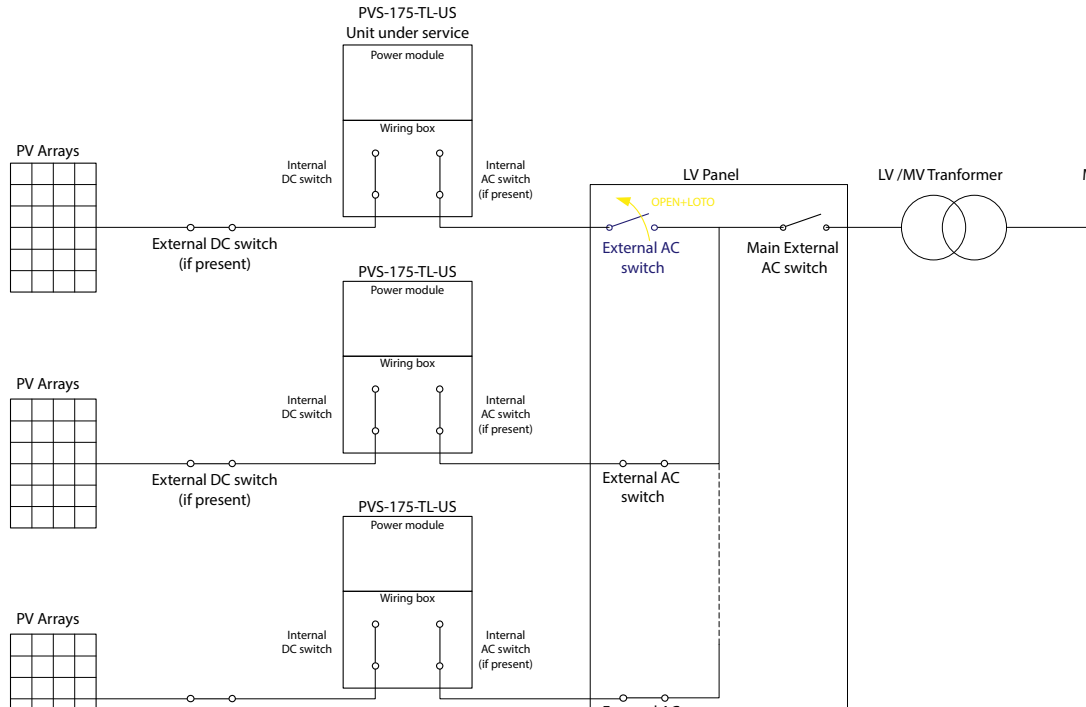
4. Check the absence of dangerous voltages on inverter enclosure respect ground

- Check the absence of dangerous voltage on the inverter chassis. The measurement points are between inverter chassis not-painted part (both power module **(01)** and wiring box **(02)** - samples point circled in red) and the EGC connection point **(10)** outside the inverter.



5. Operations on External AC switches

The diagram below represents a possible arrangement of the PV plant. Depending on the design choices made by the developer of the plant some of the devices could not be present. Identify the external AC switch(es) in the plant with the support of the plant manager.



- Open the external AC disconnect switch or the main external AC disconnect switch (blue in below picture) outside the inverter (IEC 60364-7-712.536.2.2). In case none of the LV AC switches are present, the MV switch must be opened.
- Affix designated lock preventing operation onto any external AC disconnect device, affixing designated tags (LOTO procedure).

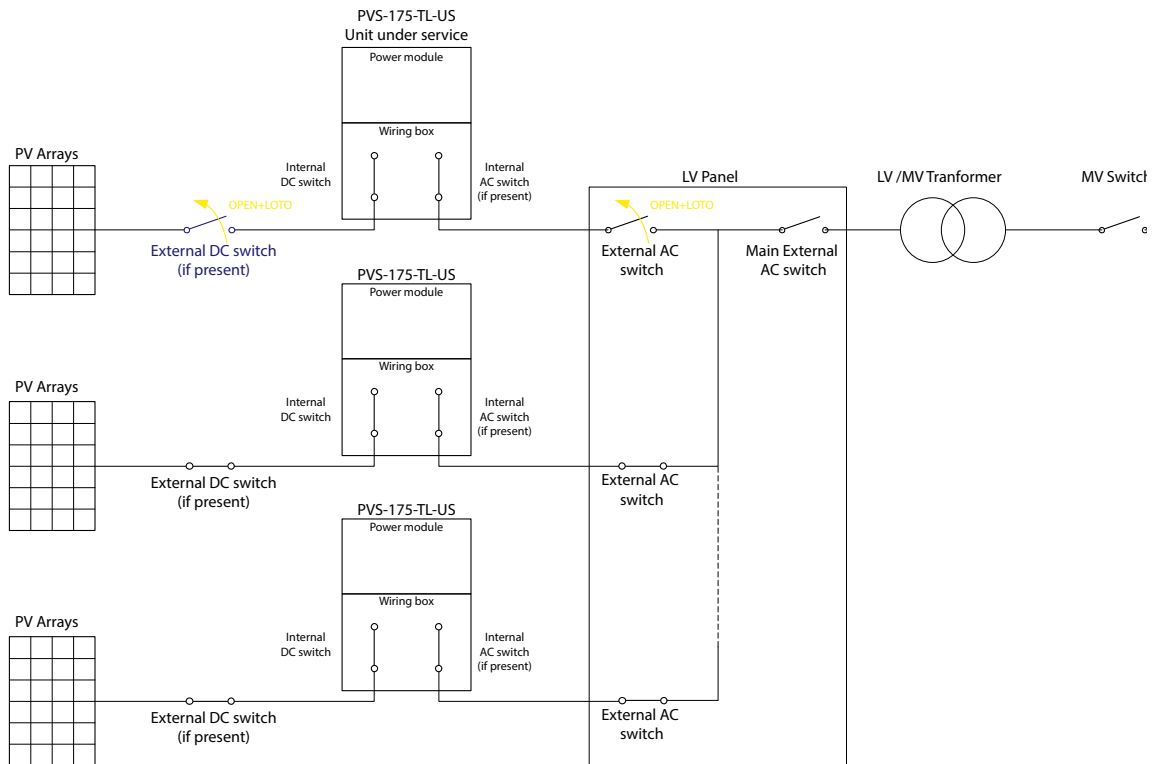
⚠ ATTENTION – Identification of the external switch may require the cooperation of the plant manager and it must be included in the switching plan defined during the preparation of the work.

- Check on the status LEDs (**08**) the shutdown command has been carried out (Missing Grid status):
 - Power LED (Green): Flashing
 - Alarm LED (Yellow): ON (solid)
 - GFI LED (Red): OFF
 - WLAN/LAN LED (Blue): Depends by the communication status.

6. Operations on External DC switches (if present)

NOTE – In case of absence of External DC disconnect device skip this step.

The diagram below represents a possible arrangement of the PV plant. Depending on the design choices made by the developer of the plant some of the devices could not be present. Identify the external DC switch(es) in the plant with the support of the plant manager.



- Open the external DC disconnect switch (blue in below picture) outside the inverter (IEC 60364-7-712.536.2.2)
- Affix designated lock preventing operation onto any external DC disconnect device, affixing designated tags (LOTO procedure).

ATTENTION – Identification of the external switch may require the cooperation of the plant manager and it must be included in the switching plan defined during the preparation of the work.

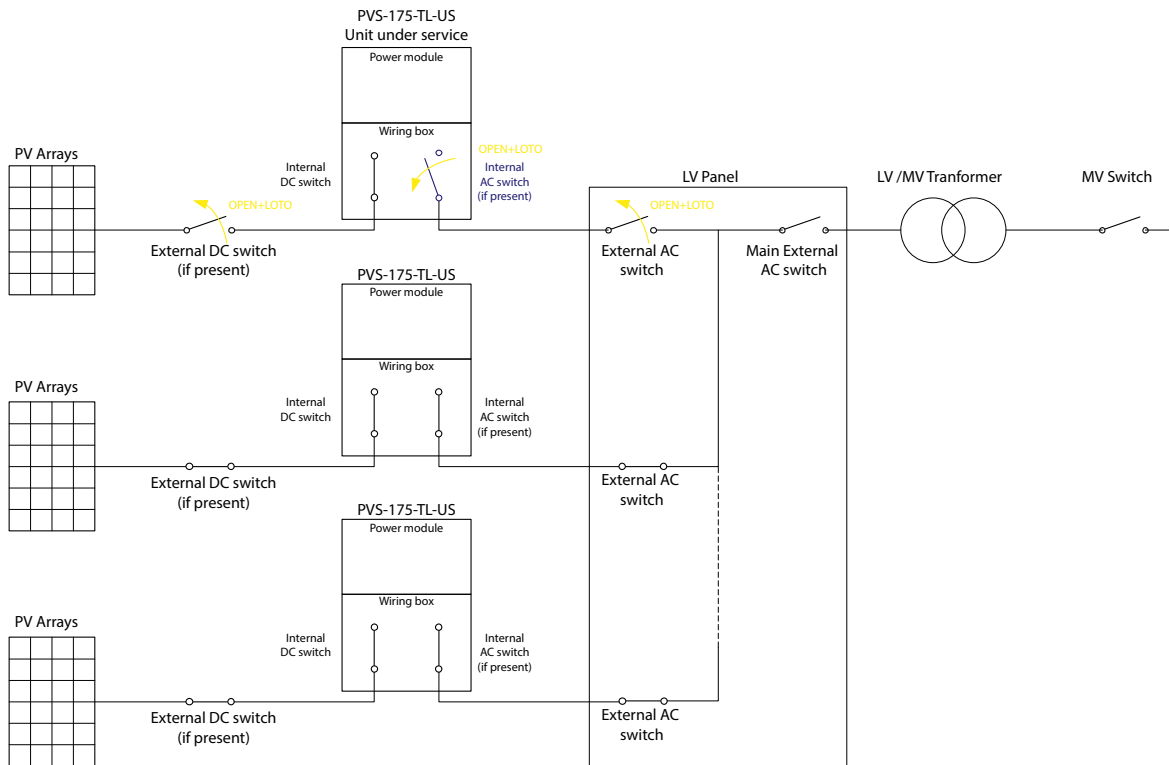
- Check on the status LEDs (08) the shutdown command has been carried out (Missing DC voltage status): All LEDs OFF.

ATTENTION – The time needed for the complete shut-down of the LEDs depends by the input voltage of the inverter. The complete shut-down of the LEDs may require some minutes.

7. Operations on internal AC disconnect Switch (09) (only -SX2 models)

NOTE – This operation can be done only in case of wiring box (02) -SX2 model. The wiring box (02) -SX model doesn't include the AC switch (09).

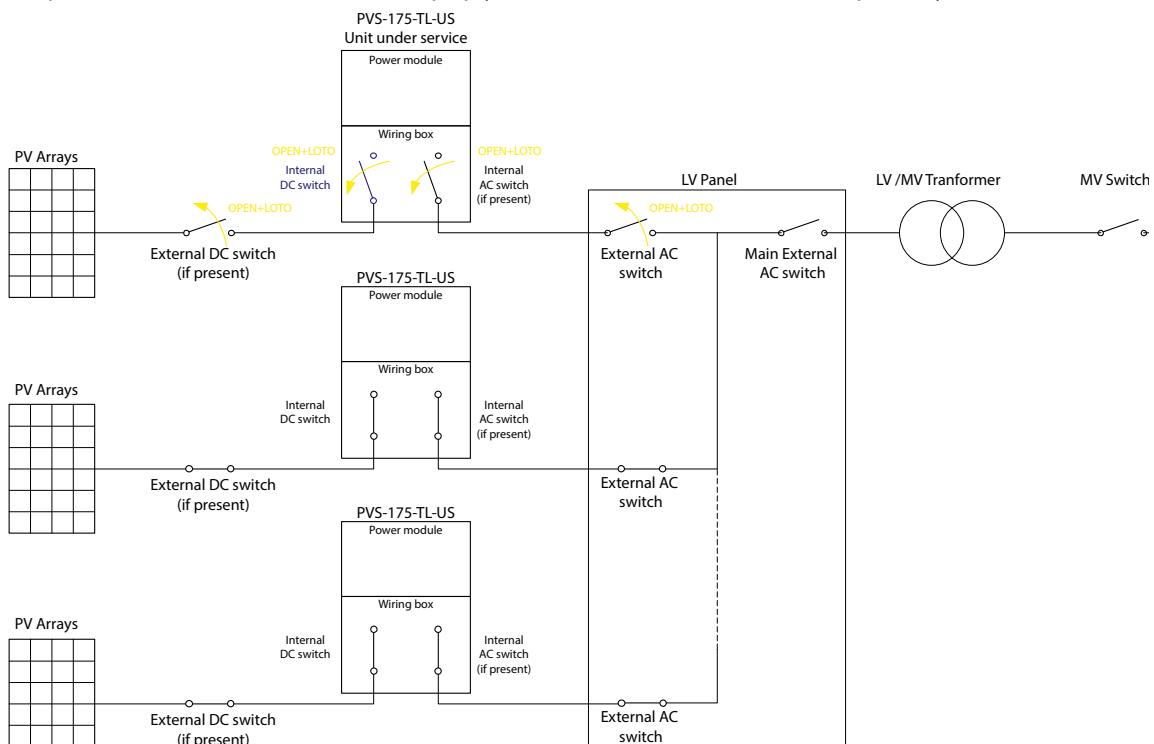
- Open the main AC disconnect switch (09) (shown in blue in the picture below).



- Affix designated lock preventing operation onto AC disconnect switch (09), affixing designated tags (LOTO procedure).

8. Operations on Internal DC disconnect switches (16)

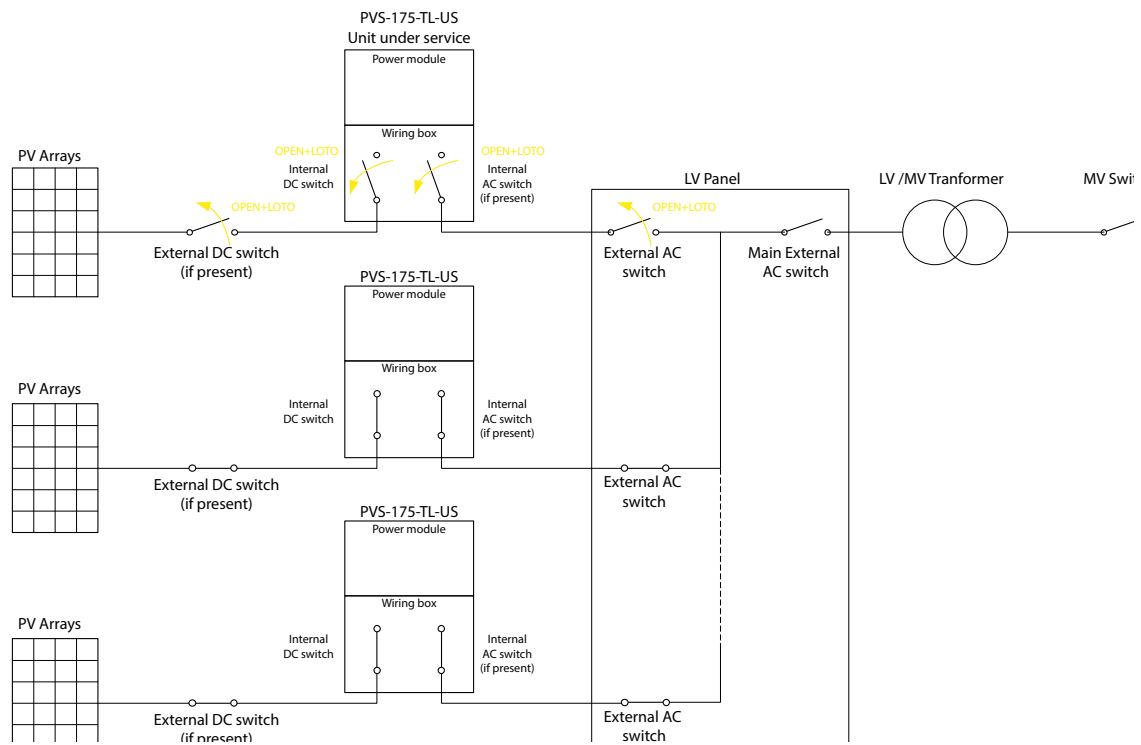
- Open all the internal DC switches (16) (1, 2, 3 and 4, blue in the below picture).



- Affix designated lock preventing operation onto all DC disconnect switches (**16**), affixing designated tags (LOTO procedure).
- Check on the status LEDs (**08**) the shutdown command has been carried out (Missing DC voltage status): All LEDs OFF.

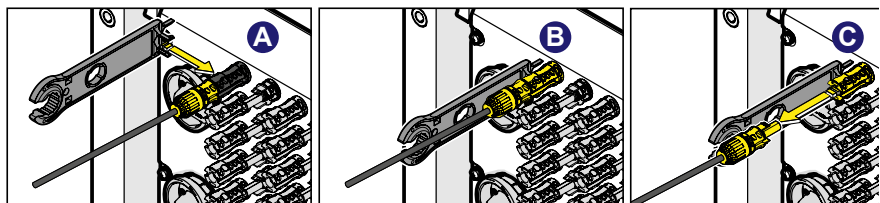
⚠ WARNING – The time needed for the complete shut-down of the LEDs depends by the input voltage of the inverter. The complete shut-down of the LEDs may require some minutes.

The below picture represents the expected status of the switches in the plant after the switching operations have been completed.

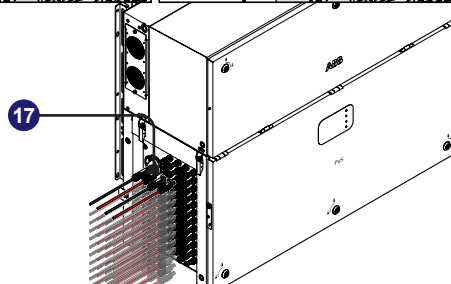


9. Remove the DC quick fit connectors (17) from wiring box (02)

- Using the current clamp check the absence of current on DC side, measurement each positive and negative DC input string cables (check the correct setting of the current sensor).



- Remove all quick fit DC connectors (**16**) from the wiring box (**02**), using the dedicated disconnect tool. To avoid mechanical interferences, use a cable tie to collect the disconnected cables.



⚠ ATTENTION – It is highly recommended to put labels on the cables in order to easily reconnect them to the correct connectors once completed the service activities.

10. Discharge of the capacitor

Wait the internal capacitors to be discharged

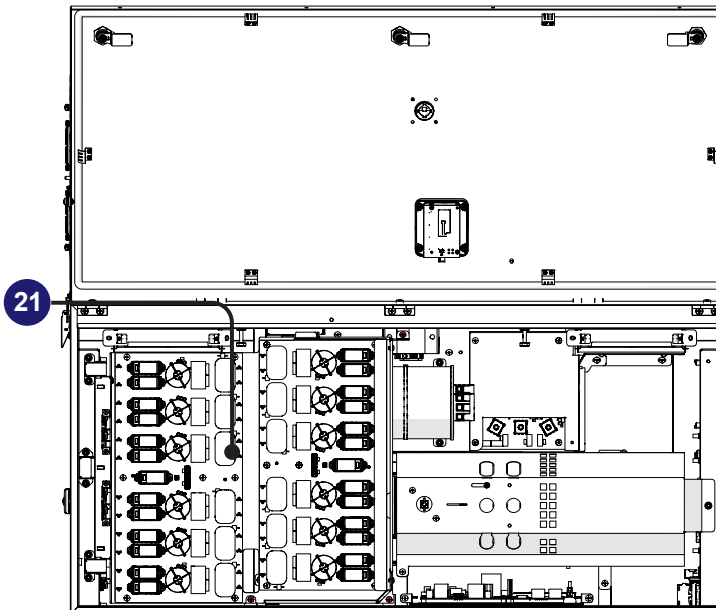
⚠ WARNING – The discharge time of the stored energy is indicated on the regulatory label.

11. Voltage absence test on DC side (wiring box)

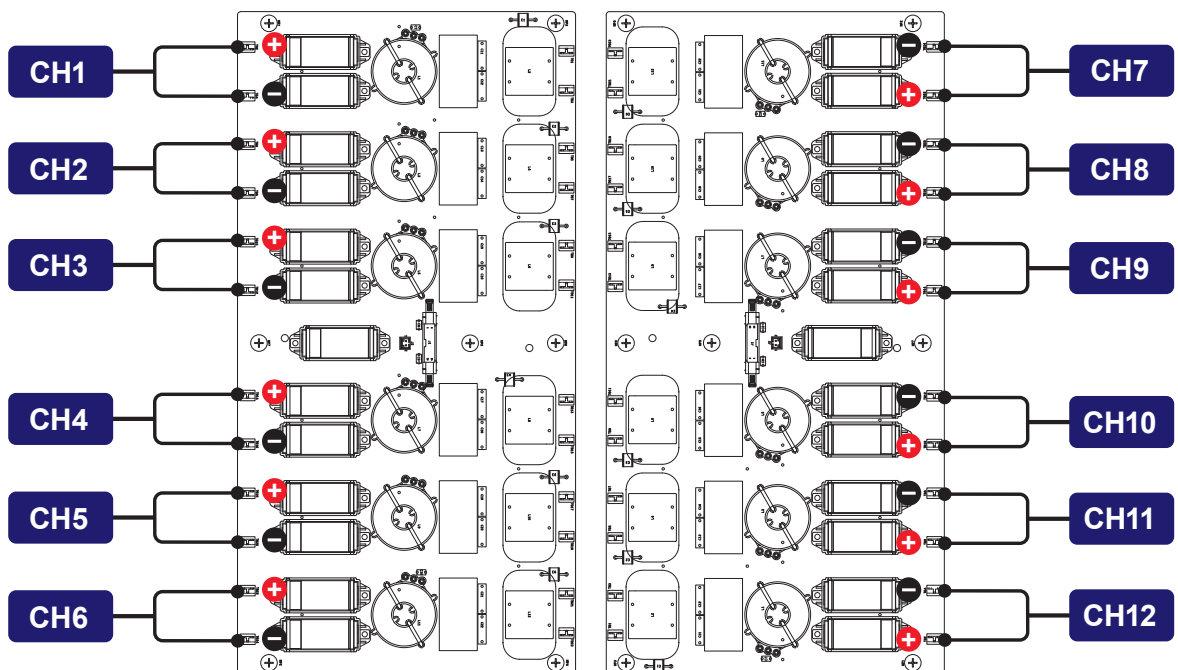
⚠ ATTENTION – Before to approach the below operations all the steps from 1 to 9 included must be successfully completed.

- Access to the wiring box (02) by opening the front wiring box cover (07).
- Visually inspect the components to identify the presence of any overheating, signs of electric arcs, failure of the insulating devices, loosen connections or cables not connected.

- Test the absence of voltage on the DC inputs using the voltage detector: the voltage absence test on DC side inside the wiring box must be carried out on the DC surge arrester boards (21), shown in the picture below.



The layout of the DC surge arrester boards (21) is provided below, with reference of the points where the input DC voltage absence test must be performed. The points are represented by the faston where the cables (coming from DC switches (16)) are connected.

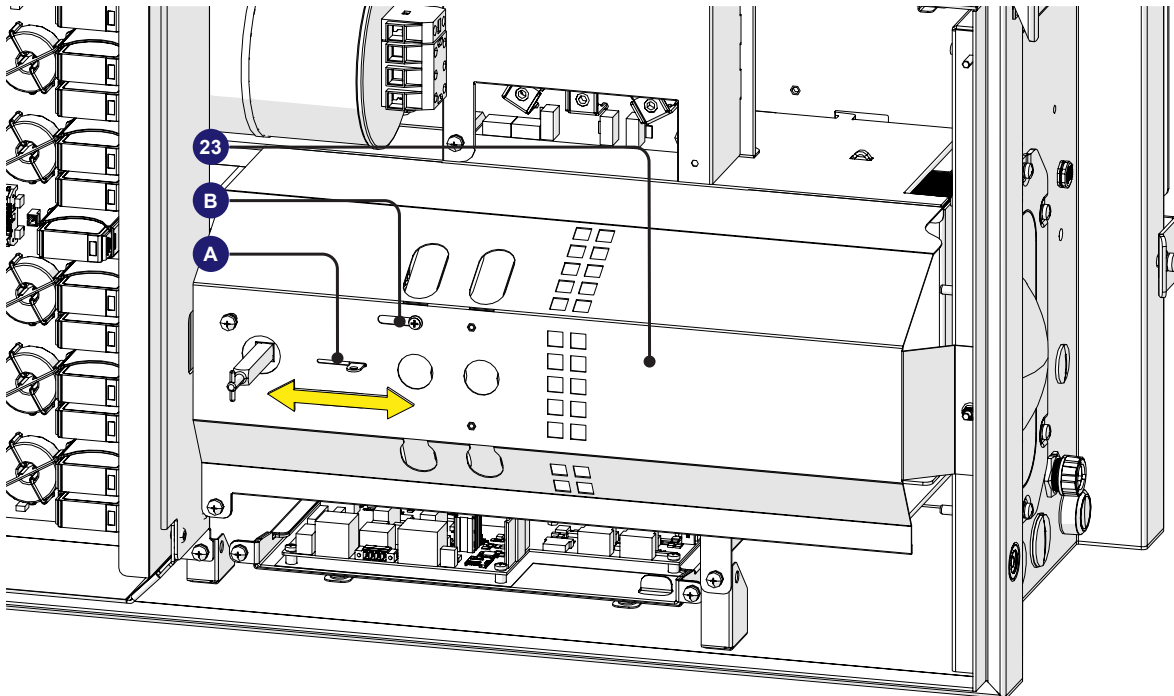


For each one of the input channels, the measurement must be performed between: positive to ground, negative to ground, positive to negative.

Check sequence: Positive to ground (PE)		Check sequence: Negative to ground (PE)		Check sequence: Positive to negative	
First point	Second point	First point	Second point	First point	Second point
CH1(+)	PE	CH1(-)	PE	CH1(+)	CH1(-)
CH2(+)	PE	CH2(-)	PE	CH2(+)	CH2(-)
CH3(+)	PE	CH3(-)	PE	CH3(+)	CH3(-)
CH4(+)	PE	CH4(-)	PE	CH4(+)	CH4(-)
CH5(+)	PE	CH5(-)	PE	CH5(+)	CH5(-)
CH6(+)	PE	CH6(-)	PE	CH6(+)	CH6(-)
CH7(+)	PE	CH7(-)	PE	CH7(+)	CH7(-)
CH8(+)	PE	CH8(-)	PE	CH8(+)	CH8(-)
CH9(+)	PE	CH9(-)	PE	CH9(+)	CH9(-)
CH10(+)	PE	CH10(-)	PE	CH10(+)	CH10(-)
CH11(+)	PE	CH11(-)	PE	CH11(+)	CH11(-)
CH12(+)	PE	CH12(-)	PE	CH12(+)	CH12(-)

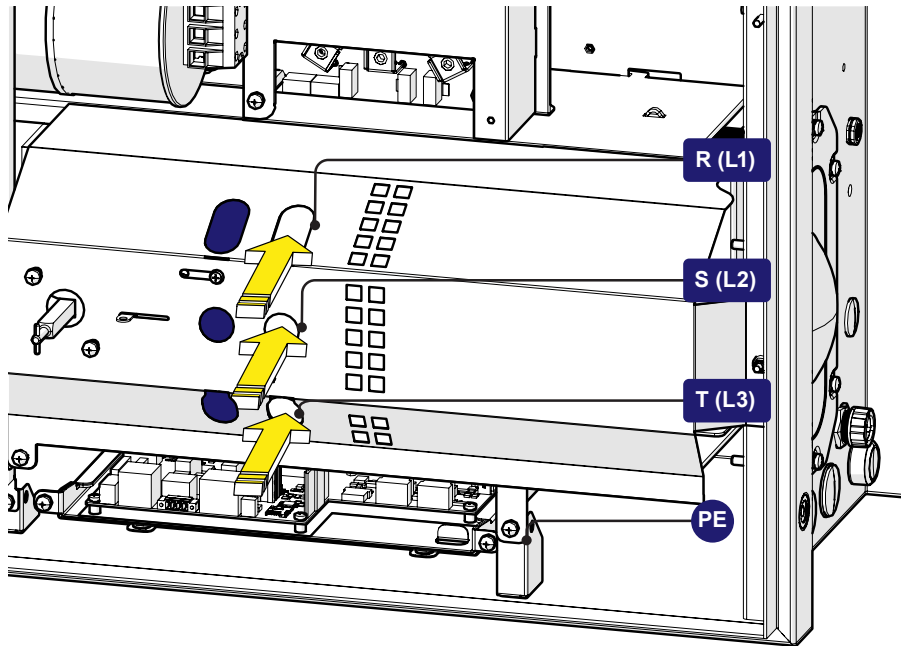
12. Voltage absence test on AC side (wiring box)

- Visually inspect the components to identify the presence of any overheating, signs of electric arcs, failure of the insulating devices, loosen connections or cables not connected.
- Using a Philip screwdriver, unscrew the blocking screw (B) on the AC protective shield (27).
- Open the sliding cover (A) and block it in open position using the blocking screw (B). The opening of the sliding cover will open the 6 holes that make accessible the VAT points on the AC connection busbar (22).



- Perform VAT by inserting the voltage detector in the holes. With reference to below picture, the right holes are designated for the insertion of the voltage detector (red arrows) while the left holes (in blue) are designated as visually inspection holes, to make sure the electrodes of the voltage detector are touching the main AC screws on the AC connection busbar (22).

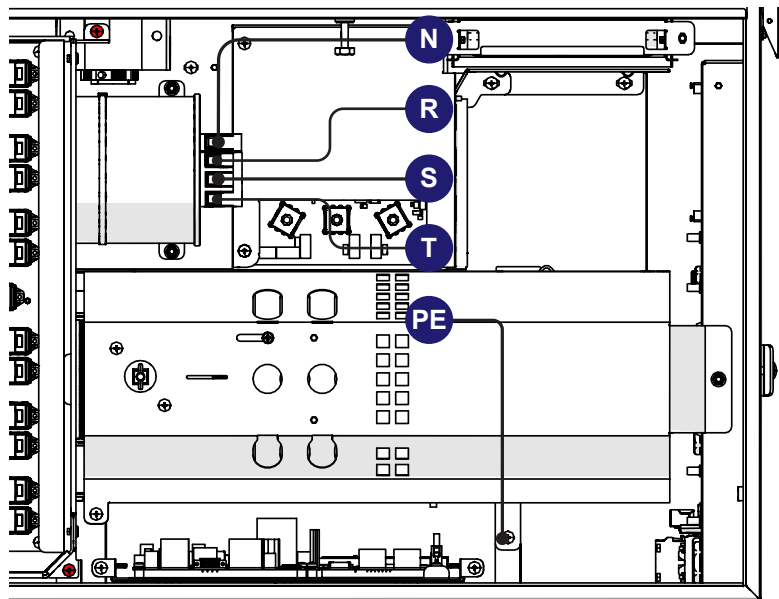
Check sequence	First point	Second point
Check #1	R (L1)	PE
Check #2	S (L2)	PE
Check #3	T (L3)	PE
Check #4	R (L1)	S (L2)
Check #5	S (L2)	T (L3)
Check #6	T (L3)	R (L1)



13. Voltage absence test on AC capacitor (wiring box)

- Check there is no voltage on the AC capacitor's terminals, measuring between the all points, as indicated in table below

Check sequence	First point	Second point
Check #1	R (L1)	PE
Check #2	S (L2)	PE
Check #3	T (L3)	PE
Check #4	N	PE
Check #5	R (L1)	S (L2)
Check #6	S (L2)	T (L3)
Check #7	T (L3)	R (L1)
Check #8	R (L1)	N
Check #9	S (L2)	N
Check #10	T (L3)	N

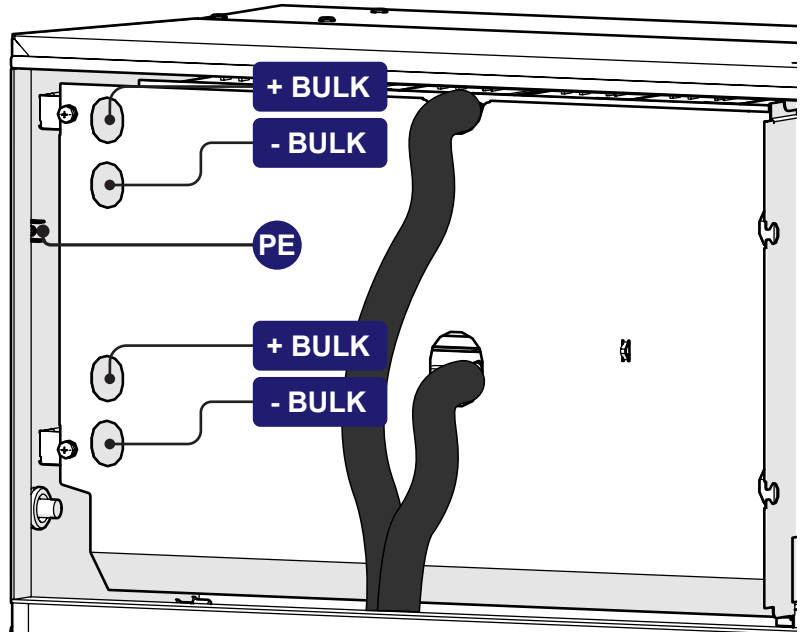


14. Voltage absence test on bulk capacitors (Power Module)

⚠ ATTENTION – Before to approach the below operations all the steps from 1 to 12 included must be successfully completed.

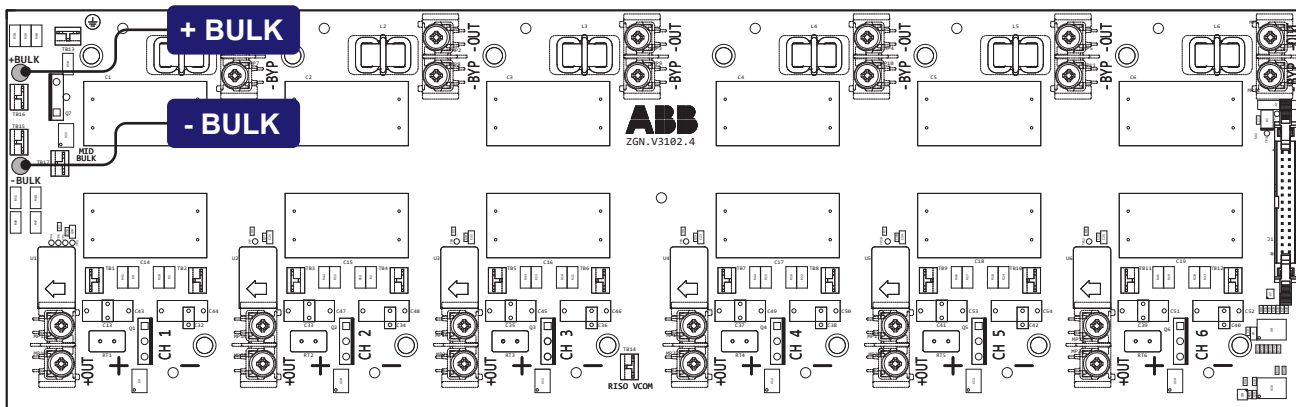
- Access to the power module box (01) by opening the power module front cover (50).
- Visually inspect the components to identify the presence of any overheating, signs of electric arcs, failure of the insulating devices, loosen connections or cables not connected.

- Check the absence of voltage on the DC input filter boards using the voltage detector. The voltage absence test on bulk capacitors inside the power module (01) must be carried out on the DC input filter boards, through the holes provided in the protective metal shield mounted inside the power module, as shown in the below pictures. Holes are enough big to visually inspect during the VAT operations.



- The layout of the DC input filter board is provided below, with reference of the points where the input DC voltage absence test must be performed.

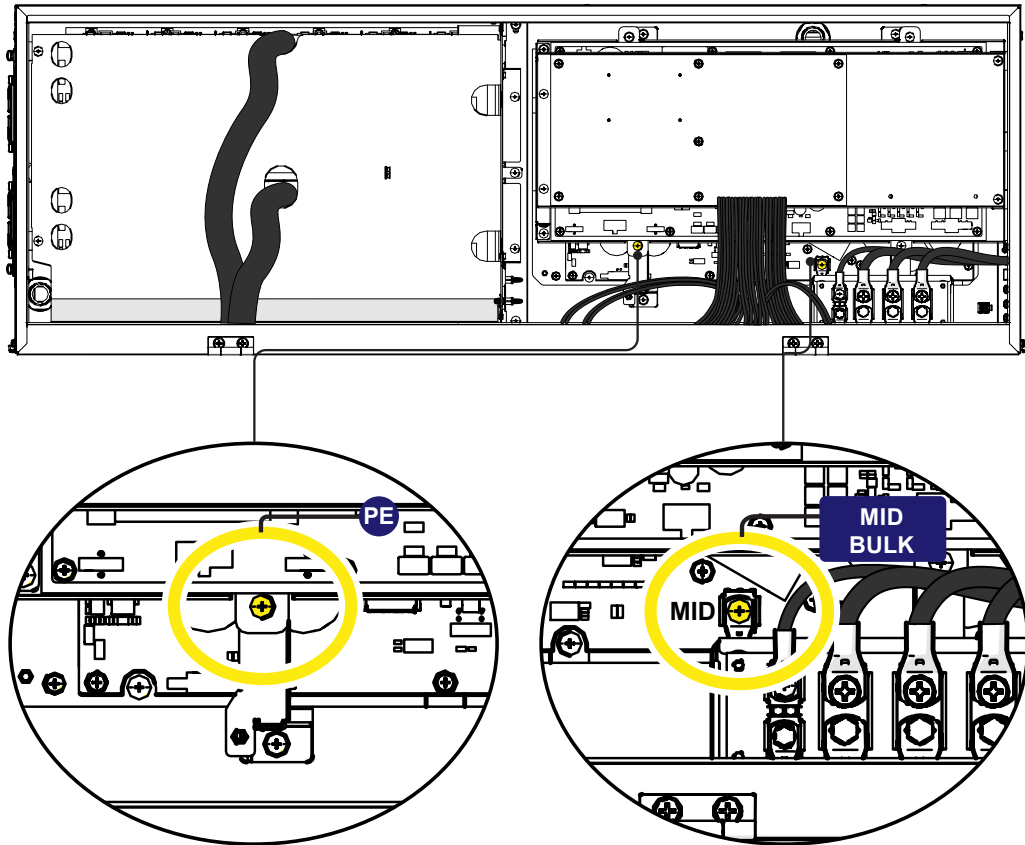
Check sequence	First point	Second point
Check #1	+BULK	PE
Check #2	-BULK	PE
Check #3	+BULK	-BULK



15. Voltage absence test on mid bulk point (Power Module)

- Check the absence of voltage on the mid bulk using the voltage detector. The voltage absence test on mid bulk must be carried out inside the power module between the measure points shown below.

Check sequence	First point	Second point
Positive to ground (PE)	MID BULK	PE



16. Check list to be filled prior the access to the inverter

- Purpose of the checklist is to verify that all the operations mentioned in the procedure have been carried out. The checklist below must be attached to the intervention report.

Check	STATUS (√ or X)
Prepare for the work and identify the work location and equipment	
PPE and Equipment Check	
PPE wearing	
OPERATIONS AT PLANT LEVEL [*]	
Check the absence of dangerous voltages on inverter chassis respect ground	
Operations in External AC switch	
Operations in External DC Switch (If present)	
OPERATIONS AT INVERTER LEVEL	
Operations on internal AC switch (if present)	
Operations on internal DC switches	
Remove the DC quick fit connectors from wiring box	
Wait the discharge of the internal capacitor	
VOLTAGE ABSENCE TEST	
Voltage absence check on DC side (wiring box)	
Voltage absence check on AC Side (wiring box)	
Voltage absence check on AC Capacitor (wiring box)	
Voltage absence check on bulk capacitors (power module)	
Voltage absence check on mid bulk point (power module)	
ISSUE WORK PERMIT	
Issue work permit and “Walk the permit” – Check list filling	
ONLY if all checks are POSITIVE (√) the ACCESS IS ALLOWED	

[*]: Identification of the external switch may require the cooperation of the plant manager and it must be included in the switching plan defined during the preparation of the work.

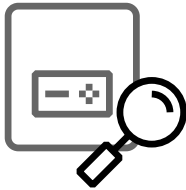
8.3 Routine maintenance

To preserve long term proper operation of the inverter, you are advised to perform the routine maintenance operations listed in this chapter.

⚠ ATTENTION – Maintenance operations shall be performed only by qualified personnel or FIMER personnel (under a servicing contract). The maintenance schedule may vary depending on the environmental conditions of the installation.

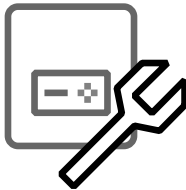
Routine maintenance

Annual visual inspections



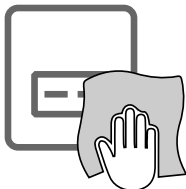
- Check that the inverter is operating properly, without any alarm signals.
- Ensure all labels and safety symbols are visible.
- Check the integrity of the cables, connectors and cable glands outside the inverter.
- Check that the environmental conditions have not changed dramatically from those on installation.
- Check there are no obstacles (animals, insects, leaves or anything which could reduce the heat exchanging capacity of the heat sink) at the top, at the bottom and on the external arrays of cooling fan.

Annual operations



- Check the tightening of the cable glands and the screw terminal blocks.
- Check the front covers is secured.
- If there is no monitoring system, check the record of alarms and errors using the indications provided in the manual in order to check recent notification of recent malfunctions.
- For the models with AC disconnect switch, it is recommended that once a year the disconnect switch is operated a number of times (at least 10) to keep the contacts clean and prevent oxidation. This operation must be carried out in periods with low input power or at night.

Annual cleaning



- Clean the equipment; verify, in particular, clean the side and top arrays of the cooling fan assembly and the heat sink.

🗨 NOTE – For a complete maintenance procedure ask for “Preventive Maintenance -Life Cycle” to FIMER customer service.

8.3.1 Recommended replacement intervals of components

To preserve long term proper operation of the inverter it's advisable to follow the recommended replacement schedule specified below:

Component	Years from start-up							
	3	6	9	12	15	18	21	24
External Fan section		X		X		X		X
Internal Fan section				X				X

⚠ ATTENTION – The replacement schedule may vary depending on the environmental conditions of the installation (e.g. high dust presence environment).

🗨 NOTE – Refer to dedicated chapters on this manual to know how to replace each listed component.

8.4 Replacing of fan sections 119

⚠ WARNING – The following operation must be carried out wearing the appropriate insulating composite gloves class 0 EN60903 (1000Vac-1500Vdc) resistant to electric arc class 2 (7kA) EN61482-1-2 in combination with protective overglove in leather EN420 – EN388.

⚠ ATTENTION – When replacing the external fan sections it's strictly recommended to clean the fins of internal heatsink using compressed air (blowing air from top and the side to the rear of the inverter).

8.4.1 Replacing of the side fan section

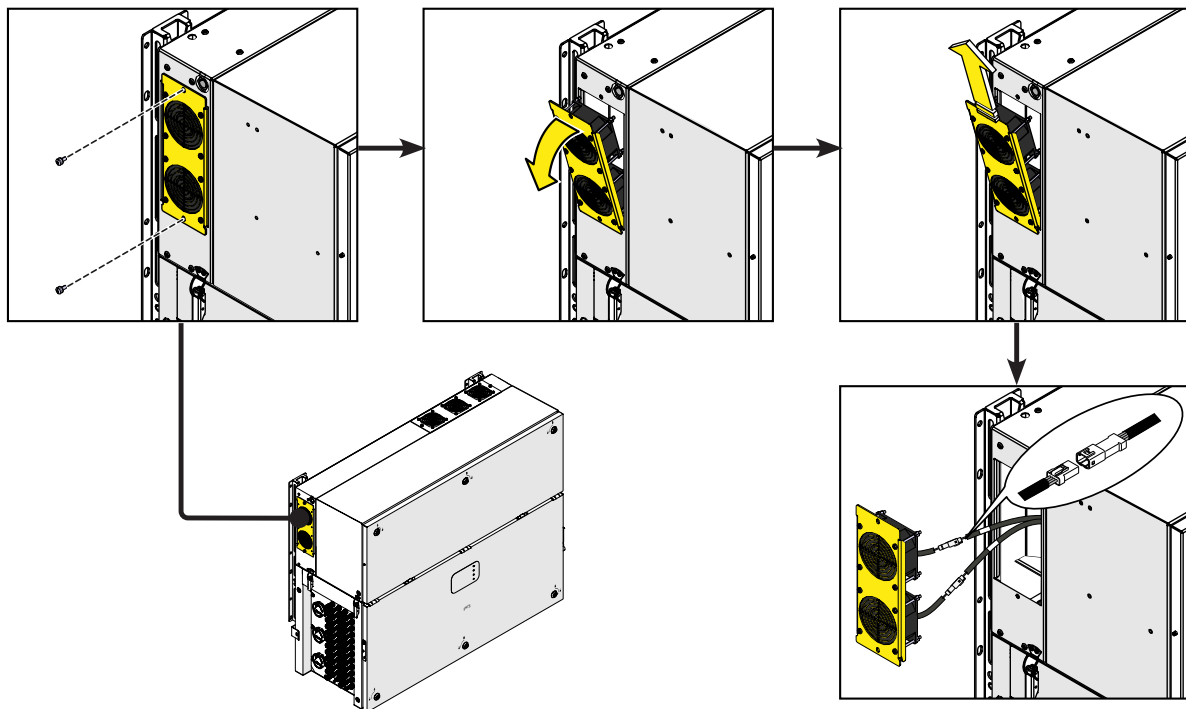
Procedure for replacing the side fan sections:

- Open the DC disconnect switches **(16)**.
- Open any AC disconnect switch downstream of the inverter or the AC disconnect switch **(09)** (only on -SX2 model).

⚠ ATTENTION – Do not open the front wiring box cover **(07)** or the front power module cover **(50)**.

⚠ WARNING – Wait the internal capacitors to be discharged (the discharge time of the stored energy is indicated on the regulatory label), and check that fans are completely stopped.

- Remove the 2 screws.
- Tilt the fan section as shown in the picture.
- Pull out the fan section.
- Disconnect the 2 fan connectors.
- Take the new fan section and connect the 2 fan connectors. During this phase pay attention to connect the fan to the correspondent cable; on each fan cable coming from the power module and on each fan are applied labels that indicates the fans number (from FAN1 to FAN5).
- Place the new fan section in the reverse way of previous steps.
- Screw the 2 fastening screws.



8.4.2 Replacing of the top fan section

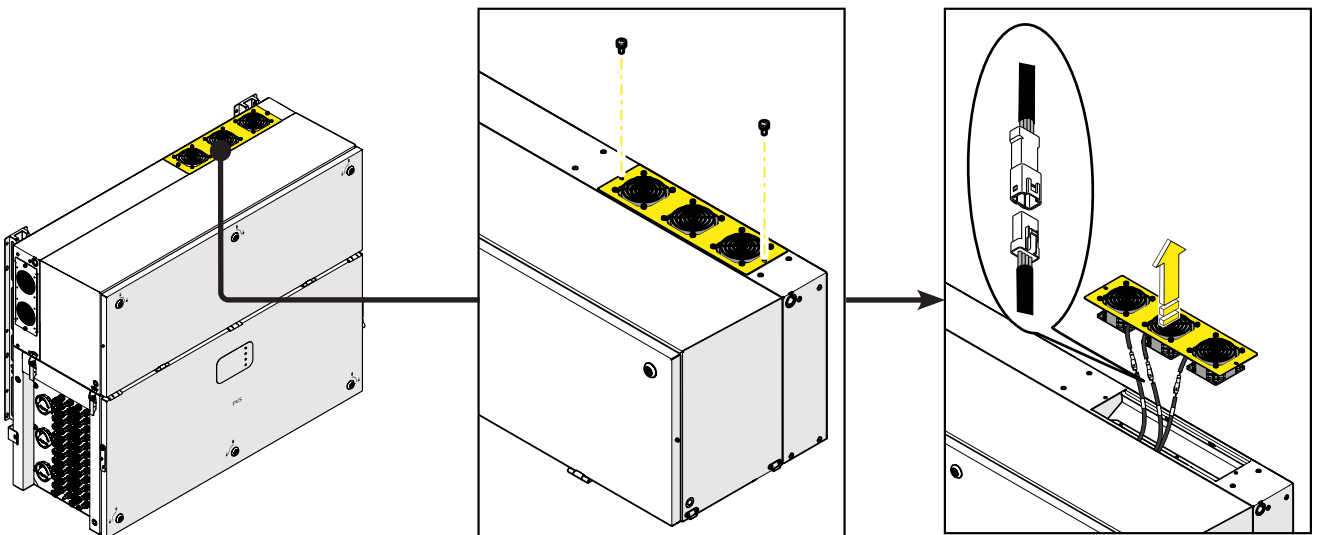
Procedure for replacing the side fan sections:

- Open the DC disconnect switches **(16)**.
- Open any AC disconnect switch downstream of the inverter or the AC disconnect switch **(09)** (only on -SX2 model).

⚠ ATTENTION – Do not open the front wiring box cover **(07)** or the front power module cover **(50)**.

⚠ WARNING – Wait the internal capacitors to be discharged (the discharge time of the stored energy is indicated on the regulatory label), and check that fans are completely stopped.

- Remove the 2 screws.
- Tilt the fan section as shown in the picture.
- Pull out the fan section.
- Disconnect the 2 fan connectors.
- Take the new fan section and connect the 2 fan connectors. During this phase pay attention to connect the fan to the correspondent cable; on each fan cable coming from the power module and on each fan are applied labels that indicates the fans number (from FAN1 to FAN5).
- Place the new fan section in the reverse way of previous steps.
- Screw the 2 fastening screws.



8.4.3 Replacing the internal fan section

⚠ WARNING – Some inverter parts may be subject to voltages that could be hazardous for the operator. Before performing any work on the inverter, refer to “Inverter total de-energization and safe access” chapter on this manual to know all the necessary step to safely operate on the inverter.

Procedure for replacing one of the two fan sections:

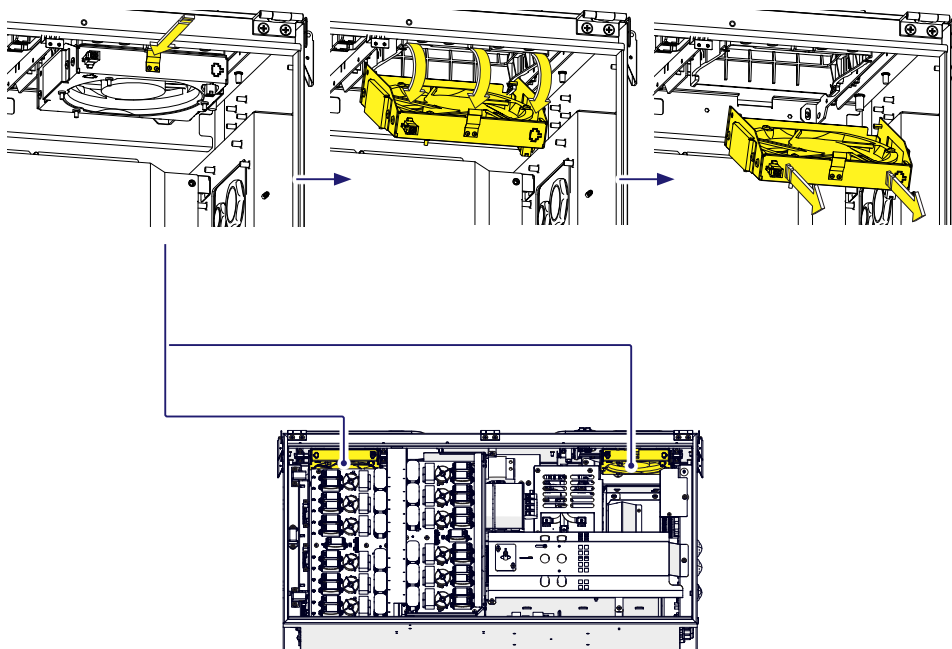
- Perform the “Inverter total de-energization and safe access” procedure before operate on the inverter.
- Open the front wiring box cover (07).

⚠ ATTENTION – Do not open the power module front cover (50).

- Disconnect the fan connector.
- Push the retaining spring in order to unlock the fan chassis.
- Pull down the fan front side of the fan chassis.

⚠ ATTENTION – Pay special attention to don't damage the cables situated in front of fans during the replacement operation.

- Pull out the fan.
- Place the new fan section following the previous steps in reverse way.

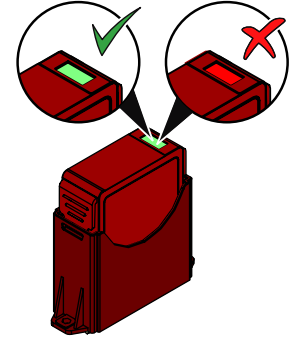


8.5 Replacing the DC surge arrester cartridge

⚠ WARNING – Some inverter parts may be subject to voltages that could be hazardous for the operator. Before performing any work on the inverter, refer to “Inverter total de-energization and safe access” chapter on this manual to know all the necessary step to safely operate on the inverter.

Replacing the DC surge arrester cartridges may be necessary in the following circumstances:

1. “Alarm” LED flashing, “Power” LED steady ON.
2. Presence of “W018” Error in Inverter Log section of web user interface.
3. The inspection window of DC surge arrester cartridge is RED.



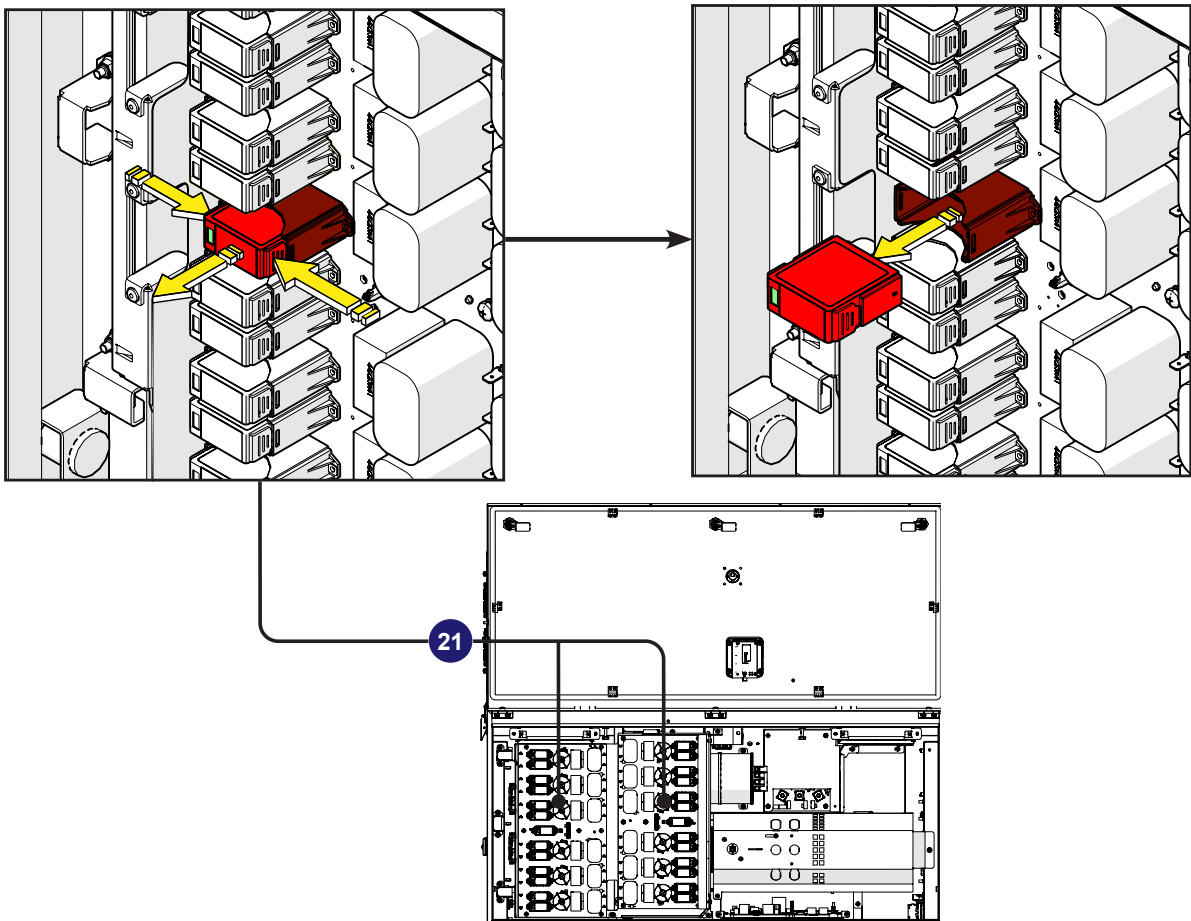
The DC surge arrester cartridges are installed on the DC surge arrester plate (21) inside the wiring box (02).

Procedure for replacing one of the DC surge arrester cartridges:

- Perform the “Inverter total de-energization and safe access” procedure before operate on the inverter.
- Open the front wiring box cover (07).

⚠ ATTENTION – Do not open the power module cover (50) during the replacement operation.

- Push the side snaps and pull out the cartridges.
- Insert the new cartridge in the empty slot.

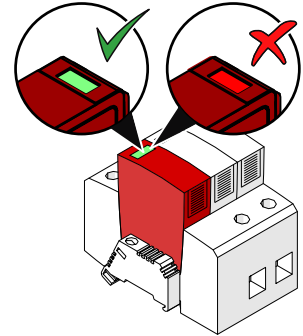


8.6 Replacing the AC surge arrester cartridge

⚠ WARNING – Some inverter parts may be subject to voltages that could be hazardous for the operator. Before performing any work on the inverter, refer to “Inverter total de-energization and safe access” chapter on this manual to know all the necessary step to safely operate on the inverter.

Replacing the DC surge arrester cartridges may be necessary in the following circumstances:

1. “Alarm” LED flashing, “Power” LED steady ON.
2. Presence of “W019” Error in Inverter Log section of web user interface.
3. The inspection window of AC surge arrester cartridge is RED.



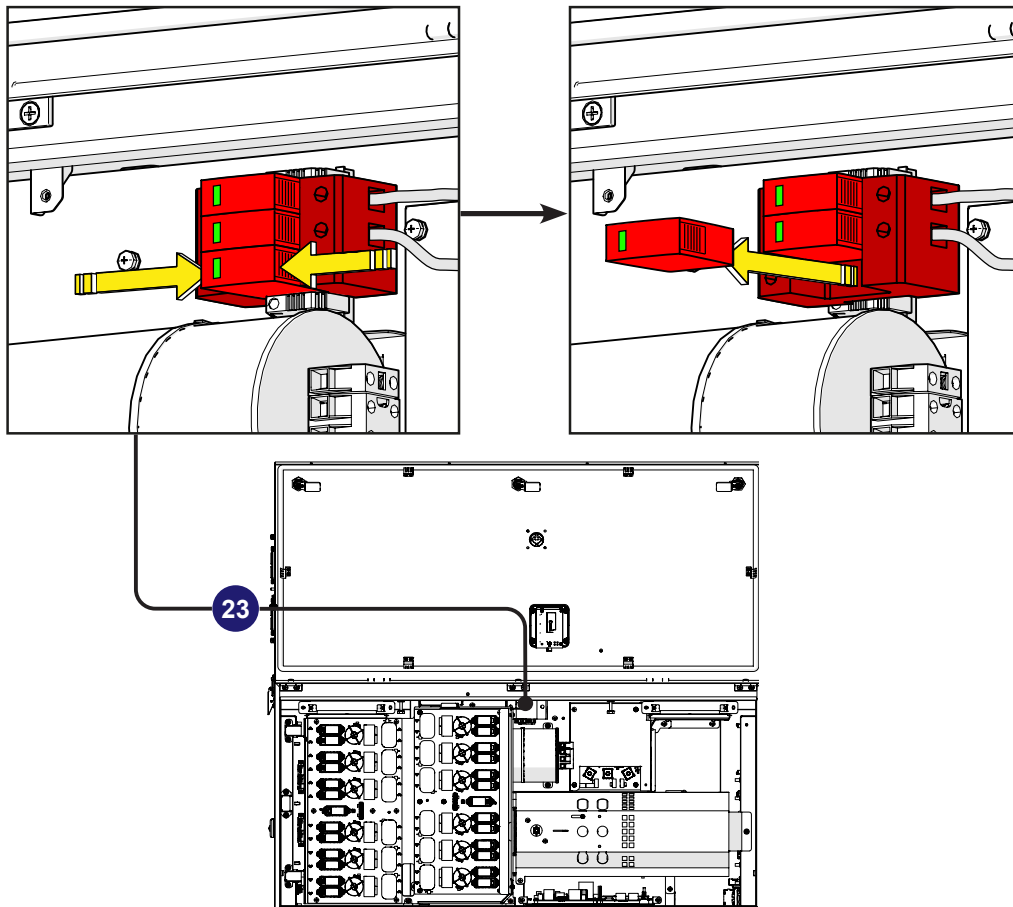
The AC surge arrester cartridges **(23)** are installed inside the wiring box **(02)**.

Procedure for replacing one of the AC surge arrester cartridges **(23)**:

- Perform the “Inverter total de-energization and safe access” procedure before operate on the inverter.
- Open the front wiring box cover **(07)**.

⚠ ATTENTION – Do not open the power module cover **(50)** during the replacement operation.

- Push the side snaps and pull out the cartridges.
- Insert the new cartridge in the empty slot.

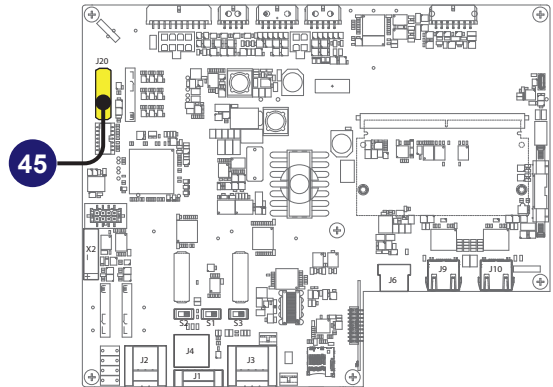


8.7 Replacement of the MEMORY board

⚠ WARNING – Some inverter parts may be subject to voltages that could be hazardous for the operator. Before performing any work on the inverter, refer to “Inverter total de-energization and safe access” chapter on this manual to know all the necessary step to safely operate on the inverter.

Replacing the MEMORY board (45) is carried out on the wiring box (02) and may be necessary if “Inverter log Statistic” (e.g. power production) are lost after system shutdown.

The MEMORY board (45) is installed on the communication and control board (28).

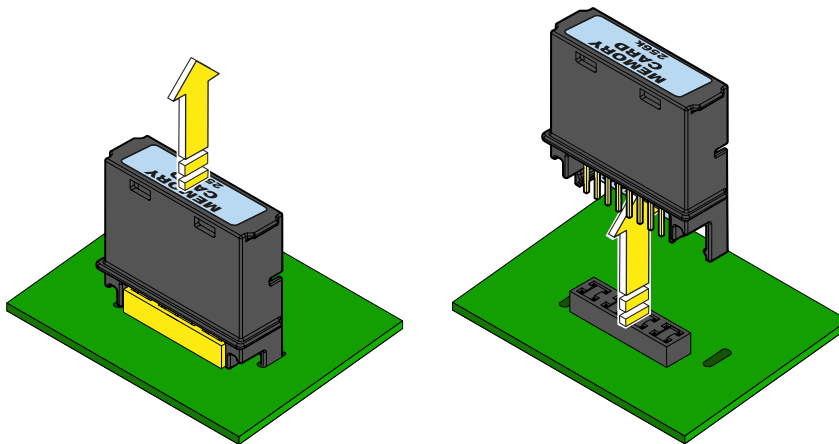


Procedure to replace the MEMORY board (45):

- Perform the “Inverter total de-energization and safe access” procedure before operate on the inverter.
- Open the front wiring box cover (07).

⚠ ATTENTION – Do not open the power module cover (50) during the replacement operation.

- Extract the communication and control board (28) as explained in the chapter “Communication and control board”.
- Remove the MEMORY board (45) to be replaced.
- Install the new MEMORY board .



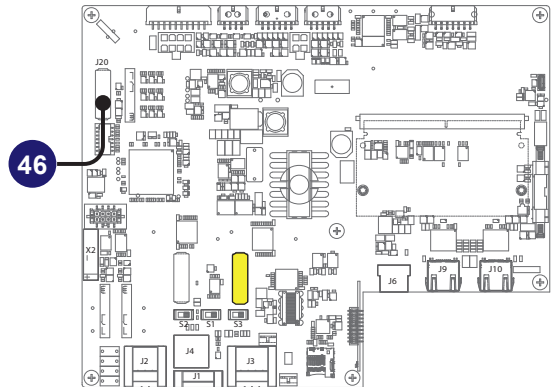
- Reconnect all the input strings and restart the inverter.

8.8 Replacement of the COMM RS485 board

⚠ WARNING – Some inverter parts may be subject to voltages that could be hazardous for the operator. Before performing any work on the inverter, refer to “Inverter total de-energization and safe access” chapter on this manual to know all the necessary step to safely operate on the inverter.

Replacing the RS485 line communication board (46) is carried out on the wiring box (02) and may be necessary in case of communication issues on RS485 line.

The RS485 line communication board (46) is installed on the communication and control board (28).

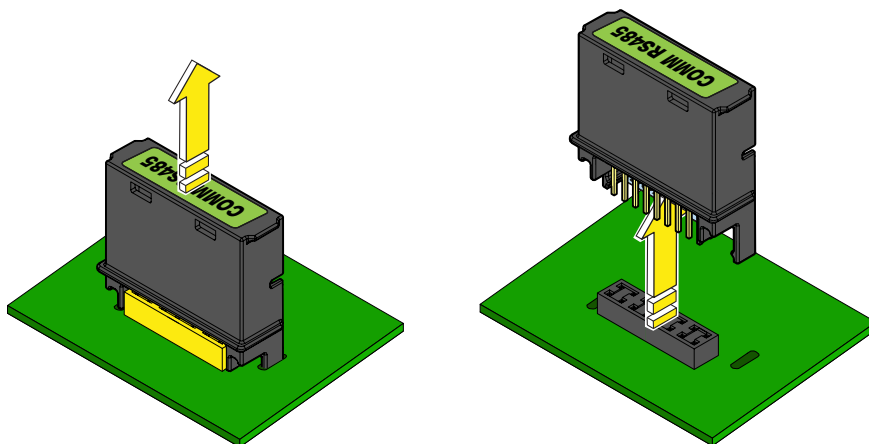


Procedure to replace the RS485 line communication board (46):

- Perform the “Inverter total de-energization and safe access” procedure before operate on the inverter.
- Open the front wiring box cover (07).

⚠ ATTENTION – Do not open the power module cover (50) during the replacement operation.

- Extract the communication and control board (28) as explained in the chapter “Communication and control board”.
- Remove the RS485 line communication board (46) to be replaced.
- Install the new RS485 line communication board.



- Reconnect all the input strings and restart the inverter.

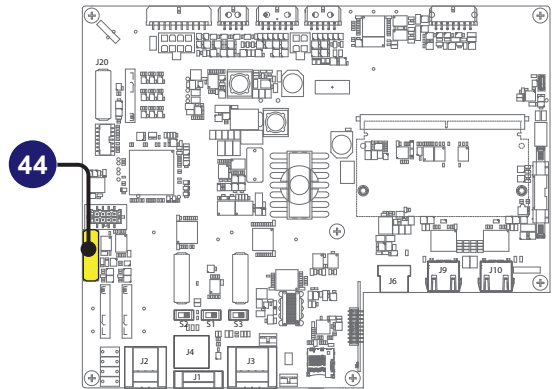
8.9 Replacement of the buffer battery

⚠ WARNING – Some inverter parts may be subject to voltages that could be hazardous for the operator. Before performing any work on the inverter, refer to “Inverter total de-energization and safe access” chapter on this manual to know all the necessary step to safely operate on the inverter.

Replacing the buffer battery (44) is carried out on the wiring box (02) and may be necessary in the following circumstances:

1. LED error signal
2. Reset of the date and time settings

The buffer battery (44) is of the CR2032 type and is installed on the communication and control board (28).

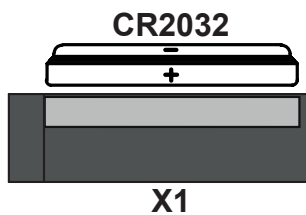


Procedure to replace the buffer battery (44):

- Perform the “Inverter total de-energization and safe access” procedure before operate on the inverter.
- Open the front wiring box cover (07).

⚠ ATTENTION – Do not open the power module cover (50) during the replacement operation.

- Extract the communication and control board (28) as explained in the chapter “Communication and control board”.
- Remove the buffer battery (44) to be replaced.
- Install the new buffer battery, taking care to handle it with insulating gloves in order not to compromise the charge and respecting the polarity shown on the diagram on the communication and control board (28).



- Reconnect all the input strings and restart the inverter.

8.10 Procedure for dismantling the equipment

⚠ WARNING – The dismantling operations must be carried out with the equipment disconnected from any voltage sources. Refer to “Inverter total de-energization and safe access” chapter on this manual to know all the necessary step to safely operate on the inverter.

⚠ ATTENTION – Never open the power module (01) or wiring box (02) in the case of rain, snow or a level of humidity >95%. Always carefully seal all unused openings.

Even though the device is equipped with an anti-condensation valve, air with extremely high levels of humidity can lead to the creation of condensation inside the inverter.

As the inverter is almost completely insulated from the outside, condensation can also form after maintenance interventions in certain weather conditions.

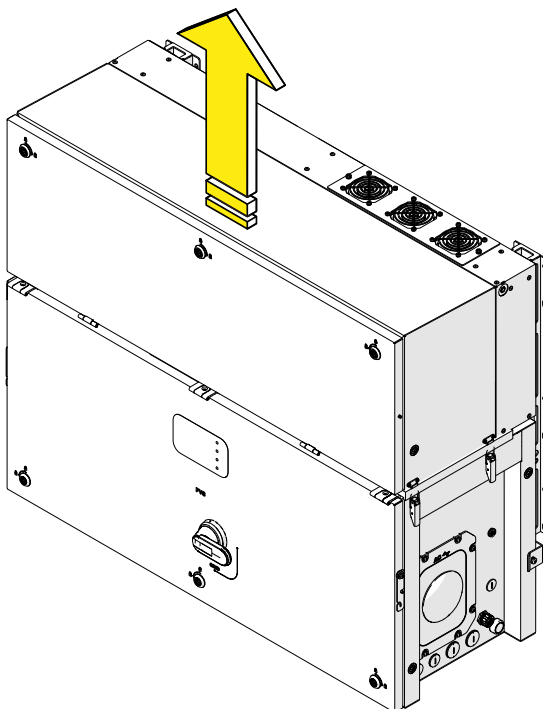
⚠ ATTENTION – During dismantling always protect the inverter parts that are installed and exposed to the weather elements!

⚠ ATTENTION – Staff authorised to carry out the dismantling operations must be specialised and experienced in this job. They must also have received suitable training on equipment of this type.


The inverter consists of an power module (01), a wiring box (02) and a mounting bracket (03) which may be dismantled separately.

To dismantling and disassemble the power module (01) follow these steps:

- Disconnect any external voltage sources and isolate the equipment referring to the “Inverter total de-energization and safe access” chapter.
- Disconnect all internal connectors between power module (01) and wiring box (02) referring to “Mounting with a support bracket - Interface connectors connection” chapter (Follow the indications for connection procedure but in the reverse order).
- Disjoint the power module (01) and wiring box (02) enclosures referring to “Mounting with a support bracket - Final Fastening operations” chapter (Follow the indications for the mounting procedure but in the reverse order).
- Lift the power module (01).




- Remove the power module **(01)** following the indications for the mounting procedure in the “Mounting with a support bracket - Assembly the Inverter to the bracket” chapter in the reverse order and the indication for lifting methods in “Type of lifting” chapter.

 **ATTENTION** – Never leave the power module **(01)** or the wiring box **(02)** disassembled on the field. In case is necessary to disassemble the power module **(01)** only, a IP65 protection covers for wiring box openings (long term installation) kit is available as accessory options.

To dismantling and disassemble the wiring box **(02)** follow these steps:

- Remove the power module **(01)** as previously described.
- Remove AC cables and protective earth cable.
- Remove any signal cables.
- Remove the wiring box **(02)** following the indications for the mounting procedure in the “Mounting with a support bracket - Assembly the Inverter to the bracket” chapter in the reverse order and the indication for lifting methods in “Type of lifting” chapter.

 **NOTE** – To dismantling and disassemble the mounting bracket **(03)** follow the indications for the mounting procedure in the “Mounting Instruction” (chapter 5) in the reverse order.

8.11 Troubleshooting

⚠ ATTENTION – Operations on the inverter to identify and address any faults may only be performed by the installer or by qualified personnel.

8.11.1 Web User Interface and wireless communication troubleshooting

The following table gives a list of main and most common errors or problems relating to the wireless communication between inverter and user devices.

Problem	Possible causes	Solution
The Web User Interface cannot be accessed.	ADMIN or USER password forgotten.	Reset the passwords by clicking on “Forgot your password”; The passwords can be reset after having entered the “Product Key” code that can be found on the “Communication Identification Label”.
The inverter is able to identify a wireless network but is unable to connect to it.	The signal between the inverter and the wireless router to which the board wants to connect is too weak.	Modify the position of the wireless antenna, the inverter or the router.
		Make sure that the inverter has not been installed near obstacles which could affect the communication with the wireless router (for example: metal cages or walls, walls in reinforced concrete, electromagnetic fields).
		Move the router as close as possible to the inverter.
The Inverter has not identified the wireless network to which connection is required.	The wireless network to which the inverter is to be connected, could require the user to enter a username and password to allow navigation (for example, with a public wireless network or a hotel).	Unfortunately the inverter cannot be connected to these types of wireless networks. Connect the inverter to an alternative wireless network.
	The wireless network to which the Inverter is to be connected, is set so as not to be identified (hidden network).	The Inverter is not able to connect to a hidden network. Set the wireless network to which the inverter is to be connected (visible network), then identify and connect the Inverter to the wireless network as normal.
The wireless board does not communicate correctly with the inverter inside of which it is installed (inconsistency in the detected data read by the board), or when working in “Access Point Mode”, it’s not possible to access the Web User Interface.	The signal between the inverter and the wireless router to which the board wants to connect is too weak.	Modify the position of the wireless antenna, the inverter or the router.
		Make sure that the inverter has not been installed near obstacles which could affect the communication with the wireless router (for example: metal cages or walls, walls in reinforced concrete, electromagnetic fields).
		Move the router as close as possible to the inverter.
The wireless board does not communicate correctly with the inverter inside of which it is installed (inconsistency in the detected data read by the board), or when working in “Access Point Mode”, it’s not possible to access the Web User Interface.	The wireless board of the inverter could be damaged.	Request a service intervention to check that the inverter wireless board is working correctly.
	Wrong Inverter Date/Time settings.	Check if Date/Time has correctly set on the inverter; correct it if necessary.








Problem	Possible causes	Solution
Alternating difficulties in the local connection to the Web User Interface.	The inverter might not be correctly powered (for example, if the inverter is switched off at night, the Web User Interface cannot be accessed).	Access to the Web User Interface only when the inverter is correctly powered.
	The wireless connection signal between the device in use and the router or the Inverter, may not have sufficient power or it may be disturbed by obstacles which affect the communication.	Make sure that the signal between the wireless devices which interact with the inverter are sufficiently high and that any obstacles such as metal cages or walls, walls in reinforced concrete or strong electromagnetic fields do not affect communication.
Although the Inverter has been configured correctly in "Station Mode" and works correctly on the local network, no data has been transmitted to the Aurora Vision®.	The MAC address used to register the inverter on the Aurora Vision® platform is not the same as the actual address associated with the inverter.	Make sure that the MAC address registered on the Aurora Vision® platform is actually the one associated with the inverter. If it is not, modify the registered MAC address.
	The wireless network to which the Inverter is connected, could be protected by a Firewall which prevents the remote exchange of data with the Aurora Vision® platform.	Contact the network administrator in order to have the Firewall configured so that the remote exchange of data between the Inverter and the Aurora Vision® platform is allowed.
It is not possible to access the Web User Interface using the IP address when the inverter is operating in "Station Mode – DHCP".	An incorrect dynamic IP address is being used to access the Web User Interface or the IP address could have been modified by the wireless router to which the inverter is connected.	Access the Web User Interface using via "AP Mode" (refer to dedicated section to know how to connect via "AP Mode") and read the current IP Address in "NETWORK > WLAN" section.
		Access the Web User Interface using the "Host Name" that could be obtained writing this url http://ABB-XX-XX-XX-XX-XX.local replacing the "X" with the hex digits of the MAC address of the inverter (it can be found on the "Communication Identification Label" placed on the side of the inverter or applied during the commissioning phase to the plant documentation). The DNS or multicast service must be enabled on router. Note: This connection method doesn't work on Android devices.
	The IP Address used to access the Web User Interface was lost.	If possible, access the pages of the wireless router web server to which the inverter is connected and read the new dynamic IP address assigned to the Inverter.
	The wireless router doesn't allow the connection to local IP address. Typically this happen on company networks.	Contact the network administrator to allow the wireless router to connect to local IP address.
	The device doesn't allow the connection to local IP address. Typically this happen with company devices.	Contact the system administrator to allow the device to connect to local IP address.
Using an Android devices, a notification advise that internet connection is missing when trying to connect to the Access Point wireless network created by the inverter and ask for connection confirmation.	Known behavior of Android devices. Android OS always check if internet connection are available and ask for confirmation if it's not present.	Confirm the connection request in the notification of Android devices by clicking "Yes".







8.11.2 Alarm Messages of the Inverter












In order to understand and resolve warning (Wxxx) or error (Exxx) signals that appear in the Event or Dashboard section of the Web User Interface follow the table given in the following paragraph.

The equipment can notify errors/warnings in the Event or Dashboard section of the Web User Interface only if the input voltage is greater than the Vdcmn voltage (POWER Led flashing or lit; see chapter on operation).

NOTE – The following table gives the complete list of errors/warnings relating to string inverters. Some error/warning codes may not be used depending on the inverter model installed.








- Error code - Error message - LED status	Name of Alarm and Cause	Solution
- No code - Ground F -  Red LED	Ground fault of photovoltaic generator: The alarm is generated when a leakage current to ground is detected in the DC section of the system.	<ul style="list-style-type: none"> • Measure the isolation resistance using a megohmmeter positioned in the photovoltaic array (positive terminal short-circuited at the negative pole) compared to ground. The measurement is strongly influenced by the environmental conditions, so must be made under the same conditions in which the error occurred. - If the value measured is lower than 1 megaohm, a check must be carried out by a technician/installer on the photovoltaic generator to identify and eliminate the problem. - If the value measured is higher than 1 megaohm and the error signal persists, contact customer assistance.
- No code - Missing Grid -  -  Yellow LED	Missing Grid: The inverter does not detect grid voltage (AC side).	<ul style="list-style-type: none"> • Check the grid voltage on the inverter's AC terminal block. - Should it be absent, check any protection work on the line and the presence of grid voltage on the supply point.
- No code - Memory fault -  yellow LED	Memory fault: The inverter has detected a communication problem with the memory board on which the inverter saves the daily value of energy produced.	<ul style="list-style-type: none"> • Remove the memory board and check the welding of all the connector's terminals. Subsequently reinsert the memory board and check that it is correctly inserted into the dedicated slot - If the signal persists also following the above checks, contact customer assistance.
- No code - Waiting Sun -  green LED	Waiting Sun: The inverter goes into the "Waiting Sun" stage when, following a W001 and/or W002 warning, the voltage from the photovoltaic generator is less than the activation voltage (Vstart).	<ul style="list-style-type: none"> • Check the input voltage on the inverter. - If it does not exceed Vstart, check for the presence of sufficient irradiation and the correct composition of the system. - If it exceeds Vstart, contact customer assistance
- W001 - Sun Low -  Yellow LED	Insufficient irradiation (Low input voltage on switching on the inverter): Incorrect configuration of the PV generator or an "on the limit" configuration for the inverter's minimum input voltage.	<ul style="list-style-type: none"> • Check the input voltage on the inverter. - If it does not exceed Vstart, check for the presence of sufficient irradiation and the correct composition of the system. - If it exceeds Vstart, contact customer assistance
- W002 - Input UV -  Yellow LED	Insufficient irradiation (Low input voltage on switching off): Incorrect configuration of the photovoltaic generator or an "on the limit" configuration for the inverter's minimum input voltage.	<ul style="list-style-type: none"> • Check the input voltage on the inverter. - If it does not exceed Vstart, check for the presence of sufficient irradiation and the correct composition of the system. - If it exceeds Vstart, contact customer assistance











- Error code - Error message - LED status	Name of Alarm and Cause	Solution
<ul style="list-style-type: none"> - W003 - Grid Fail -  Yellow LED 	<p>Parameters of grid voltage outside range: This error signal occurs when during the inverter's normal operation the grid parameters exceed the limits set by the operator:</p> <ul style="list-style-type: none"> - Grid voltage absent (after the signal the inverter goes to "Missing Grid") - Unstable grid voltage (values too low or too high) - Unstable grid frequency 	<ul style="list-style-type: none"> • Check the grid voltage on the inverter. - Should it be absent, check for absence of grid voltage on the supply point. - If, on the other hand, the voltage tends to rise (when the inverter is connected) there is high line or grid impedance. • Check the grid voltage also on the supply. - If it is high, it means that there is high grid impedance. In this case, ask the operator to adjust the grid voltage. If the operator authorises a change to the inverter's parameters, agree the new limits with customer assistance - If the voltage at the point of supply is much lower than that measured on the inverter, it is necessary to adjust the line (inverter-contactor). - If the voltage and the grid frequency come back within the limits (also when the inverter is connected to the grid), contact customer assistance
<ul style="list-style-type: none"> - W004 - Grid OV -  Yellow LED 	<p>Grid overvoltage: This error signal occurs when during the inverter's normal operation the grid voltage exceeds the maximum limit set by the operator.</p>	<ul style="list-style-type: none"> • Check the grid voltage on the inverter. - If the voltage tends to rise (when the inverter is connected), there is a problem of high line or grid impedance. • Check the grid voltage also on the supply. - If it is high, it means that there is high grid impedance. In this case, ask the operator to adjust the grid voltage. If the operator authorises a change to the inverter's parameters, agree the new limits with customer assistance - If the voltage at the point of supply is much lower than that measured on the inverter, it is necessary to adjust the line (inverter-contactor). - If the voltage and the grid frequency come back within the limits (also when the inverter is connected to the grid), contact customer assistance
<ul style="list-style-type: none"> - W005 - Grid UV -  Yellow LED 	<p>Grid undervoltage: This error signal occurs when during the inverter's normal operation the grid voltage exceeds the minimum limit set by the operator.</p>	<ul style="list-style-type: none"> • Check the grid voltage on the inverter. • Check the grid voltage also on the supply. - If it is high, it means that there is high grid impedance. In this case, ask the operator to adjust the grid voltage. If the operator authorises a change to the inverter's parameters, agree the new limits with customer assistance - If the voltage at the point of supply is much lower than that measured on the inverter, it is necessary to adjust the line (inverter-contactor). - If the voltage and the grid frequency come back within the limits (also when the inverter is connected to the grid), contact customer assistance
<ul style="list-style-type: none"> - W006 - Grid OF -  Yellow LED 	<p>Grid over-frequency: This error signal occurs when during the inverter's normal operation the grid frequency exceeds the maximum limit set by the operator.</p>	<ul style="list-style-type: none"> • Check the grid frequency in the inverter. • Check the grid frequency also on the supply: - If the voltage and the grid frequency come back within the limits (also when the inverter is connected to the grid), contact customer assistance
<ul style="list-style-type: none"> - W007 - Grid UF -  Yellow LED 	<p>Grid under-frequency: This error signal occurs when during the inverter's normal operation the grid frequency exceeds the minimum limit set by the operator.</p>	<ul style="list-style-type: none"> • Check the grid frequency in the inverter. • Check the grid frequency also on the supply: - If the voltage and the grid frequency come back within the limits (also when the inverter is connected to the grid), contact customer assistance
<ul style="list-style-type: none"> - W011 - Bulk UV -  Yellow LED 	<p>Low "Bulk" voltage (DC-DC circuit): The alarm (which is a warning and not an error) is generated when the voltage at the heads of the bulk capacitors does not reach the threshold for the operation of the inverter (internal unchangeable threshold).</p>	<ul style="list-style-type: none"> • Raise the value of the activation voltage (Vstart) so as to have sufficient power from the PV generator at the time of the inverter's grid connection. • Check the input voltage on the inverter. - If it does not exceed Vstart, check for the presence of sufficient irradiation and the correct composition of the system. - If it exceeds Vstart, contact customer assistance.










- Error code - Error message - LED status	Name of Alarm and Cause	Solution
- W012 - Batt. Low -  Flashing yellow LED	Battery Low: The inverter has detected a backup battery voltage that is too low.	<ul style="list-style-type: none"> • Check that the date/time are set correctly and, if they are not, set them. Subsequently arrange to completely switch off the inverter (on both AC and DC) and wait a few minutes. Finally, restart the inverter and check whether the date/time are now correctly set or whether they have reset to 01/01/2000. In this case replace the battery with the inverter completely switched off (isolate AC and DC side) being careful to maintain the polarity.
- W013 - Clock Fail -  Flashing yellow LED	Clock Fail: The alarm occurs when there is a difference of more than 1 minute in the time shown on the Web User Interface compared to the internal time of the microprocessors and indicates a malfunction of the clock circuit.	<ul style="list-style-type: none"> • Error inside the inverter and cannot be checked externally. - If the alarm repeats persistently, contact customer assistance.
- W015 - Island Detect. -  Yellow LED	Disconnection due to Anti-Islanding: The inverter has been improperly connected to an island grid.	<ul style="list-style-type: none"> • Check that the grid to which the inverter is connected is not an island grid. - If the grid to which the inverter is connected is an island grid, switch the inverter off and then on again: if the problem persists, contact customer assistance.
- W018 * - DC SPD tripped -  Flashing yellow LED * (only for models with monitored SPD)	Intervention of overvoltage surge arresters on DC side: Overvoltage surge arresters situated on the DC side are damaged.	<ul style="list-style-type: none"> • Observe the inspection window on each surge arrester (DC side). If it is red, the surge arrester is damaged and the cartridge must be replaced. - If the alarm status persists, even if all the surge arresters have a green inspection window, contact customer assistance.
- W019 * - AC SPD tripped -  Flashing yellow LED * (only for models with monitored SPD)	Intervention of overvoltage surge arresters on AC side: Overvoltage surge arresters situated on the AC side are damaged.	<ul style="list-style-type: none"> • Observe the inspection window on each surge arrester (AC side). If it is red, the surge arrester is damaged and the cartridge must be replaced. - If the alarm status persists, even if all the surge arresters have a green inspection window, contact customer assistance.
- W021 - P-reduction Start -  No LED	Activation of reduction in power: Indicates that one of the power limitations has been triggered.	<ul style="list-style-type: none"> • Check which power limitation code is active and, on the basis of that, carry out the necessary checks that might relate to various factors including: <ul style="list-style-type: none"> - settings by the user - high grid frequency - high grid voltage - anti-islanding - low grid voltage - high internal temperature - high input voltage
- W022 - Q-mode Change -  No LED	Variation in means of managing reactive power: Variation in the means of managing reactive power; this change can be made through the Web User Interface.	The variation in the means of managing reactive power is done directly by the customer/installer and is not an error. The information is only saved on the historic record of the events memorised by the inverter.
- W023 * - Date/time mod. -  No LED	Variation in the inverter's date and time: Variation of the inverter's date and time; this change can be made through the Web User Interface.	<ul style="list-style-type: none"> • The variation in the inverter's date and time is done directly by the customer/installer and is not an error. The information is only saved on the historic record of the events memorised by the inverter.
- W024 - Energy data rst -  No LED	Zeroing of the statistical energy data memorised in the EEPROM: Reset of the energy data saved in the inverter; this operation can be handled through the Web User Interface.	<ul style="list-style-type: none"> The zeroing of the partial energy values memorised by the inverter is done directly by the customer/installer and is not an error. The information is only saved on the historic record of the events memorised by the inverter • The warning may also occur when the Memory Card on which the production statistics are saved is replaced
- W025 - P-reduction End -  No LED	Deactivation of reduction in power: Indicates that the inverter has come out of one of the power limitation states.	This type of warning does not need any check
- W026 - AFDD user reset -  No LED	Reset of the Arc Fault error: Manual reset of the Arc Fault error; this operation can be made through the internal webserver.	<ul style="list-style-type: none"> • The reset of the Arc Fault error is done directly by the customer/installer and is not an error. The information is only saved on the historic record of the events memorised by the inverter

- Error code - Error message - LED status	Name of Alarm and Cause	Solution
<ul style="list-style-type: none"> - W046 - Grid conn. fault - ● Yellow LED 	<p>Connection to the grid unsuccessful</p> <p>The alarm is logged when a Missing grid or Input UV error occurs or due to the manual disconnection of the inverter during the grid connection sequence.</p>	<ul style="list-style-type: none"> • Once the error occurs, the inverter tries to return to normal operation. - If the problem persists after a number of attempts to connect the inverter, switch the inverter off and then on again. - If the problem persists (once the inverter has been switched off and back on again), contact customer assistance.
<ul style="list-style-type: none"> - W047 - Update Incomplete - ● Yellow LED 	<p>FW update method unsuccessful</p> <p>The alarm occurs when a firmware update has not been completed.</p>	<ul style="list-style-type: none"> • Complete any pending firmware updates. - If the problem persists once the firmware updates have been completed, switch the inverter off and on again. - If the problem persists (once the inverter has been switched off and back on again), contact customer assistance.
<ul style="list-style-type: none"> - W048 - Periodic GridOff - ● Yellow LED 	<p>Automatic disconnection from the grid due to time limit:</p> <p>If the inverter exceeds the set grid connection time limit set by the grid standard, it will automatically have to carry out a disconnection and reconnection to the grid to carry out the Riso test.</p>	<ul style="list-style-type: none"> • The presence of this alarm is not an error as the automatic disconnection is prescribed by safety regulations. - If the inverter disconnects in a shorter time than expected, contact customer assistance.
<ul style="list-style-type: none"> - W049 * - Global-Settings Event - ⊗ No LED 	<p>Variation of the grid standard</p> <p>Variation of the inverter's grid standard; this change can be made through the Web User Interface.</p>	<ul style="list-style-type: none"> • The variation in the inverter's grid standard is done directly by the customer/installer and is not an error. The information is only saved on the historic record of the events memorised by the inverter
<ul style="list-style-type: none"> - W058 - System Frozen - ● Yellow LED 	<p>Converter in locked state:</p> <p>The converter lock state is connected to an installation phase in which the starts-up and grid connection conditions are not yet present.</p>	<ul style="list-style-type: none"> • Complete the commissioning phase of the inverter. - If the problem persists (once the commissioning phase has been completed and the inverter has been switched off and back on again), contact customer assistance.
<ul style="list-style-type: none"> - E001 - Input OC - ● Yellow LED 	<p>Input over-current (photovoltaic generator):</p> <p>The alarm occurs when the inverter's input current exceeds the inverter's threshold for maximum input current.</p>	<ul style="list-style-type: none"> • Check whether the composition of the PV generator enables input current which exceeds the maximum threshold allowed by the inverter and that the configuration of the inputs (independent or in parallel) is carried out correctly. - If both checks are positive, contact customer assistance.
<ul style="list-style-type: none"> - E002 - Input OV - ● Yellow LED 	<p>Input overvoltage (photovoltaic generator):</p> <p>The alarm is generated when the input voltage (from the PV generator) exceeds the inverter's threshold of maximum input voltage.</p> <p>The alarm is triggered before reaching the absolute threshold beyond which the inverter will be damaged.</p> <p>When the inverter's input voltage exceeds the Over Voltage threshold, the inverter will not start up due to the generation of the alarm.</p>	<ul style="list-style-type: none"> • It is necessary to measure the input voltage inside the inverter with a voltmeter. - If it is higher than the maximum voltage of the operating range, the alarm is genuine and it is necessary to check the configuration of the PV generator. If the voltage has also exceeded the maximum input threshold the inverter could be damaged. - If it is lower than the maximum voltage of the operating range, the alarm is caused by an internal malfunction and it is necessary to contact customer assistance.
<ul style="list-style-type: none"> - E003 - No pars (DSP) - ● Yellow LED 	<p>DSP initialisation error:</p> <p>The main microcontroller is unable to correctly initialize the two DSPs (booster stage and inverter stage). The error is caused by communication problems on the inverter's internal bus.</p>	<ul style="list-style-type: none"> • Error inside the inverter and cannot be checked externally. - If the problem persists (once the inverter has been switched off and back on again), contact customer assistance.
<ul style="list-style-type: none"> - E004 - Bulk OV - ● Yellow LED 	<p>"Bulk" over-voltage (DC-DC circuit):</p> <p>Error inside the inverter. The alarm is raised when the voltage at the heads of the bulk capacitors exceeds the Over Voltage threshold (internal unchangeable threshold).</p>	<ul style="list-style-type: none"> • The alarm may be triggered by causes external to the inverter: - An excessive input voltage can be recorded as a condition for bulk over voltage. In this case it is advisable to check the inverter's input voltage and should this value be close to the input OV threshold, review the configuration of the photovoltaic generator. - Excessive grid voltage could cause the bulk voltage to rise in uncontrolled fashion with a consequent protection intervention and hence generation of the alarm. In these cases the alarm is transitory and the inverter automatically restarts - The alarm may be triggered by causes inside the inverter and in this case it is necessary to contact customer assistance.

- Error code - Error message - LED status	Name of Alarm and Cause	Solution
- E005 - Internal error - ● Yellow LED	Communication error inside the inverter: The alarm occurs when there are communication problems between the control devices inside the inverter.	• Error inside the inverter and cannot be checked externally. - If the problem persists (once the inverter has been switched off and back on again), contact customer assistance.
- E006 - Output OC - ● Yellow LED	Output overcurrent: The alarm occurs when the inverter's output current exceeds the inverter's threshold for maximum output current.	• Error inside the inverter and cannot be checked externally. - If the problem persists (once the inverter has been switched off and back on again), contact customer assistance.
- E007 - IGBT Sat - ● Yellow LED	Saturation recorded on the IGBT components: The alarm appears when one of the active devices of the inverter is in saturation state.	Once the error appears, the inverter attempts to resume normal operation. - Should the error occur sporadically, it may be caused by a brusque transition of the grid voltage or of the input voltage, but is not due to a malfunction by the inverter. - If the error is connected to an internal fault, it will continue to appear and so it is necessary to contact customer assistance.
- E009 - Internal error - ● Yellow LED	Error inside the inverter: Error inside the inverter	• Error inside the inverter and cannot be checked externally. - If the problem persists (once the inverter has been switched off and back on again), contact customer assistance.
- E010 - Bulk UV - ● Yellow LED	Low "Bulk" voltage (DC-DC circuit): The alarm can be caused by causes external to the inverter: a reduced input voltage on the inverter (just above the activation voltage) but which is not accompanied by a sufficient availability of power from the photovoltaic generator (typical condition of the stages with limited irradiation)	- If the error signal occurs sporadically, it may be due to causes external to the inverter (limited irradiation and so limited power availability from the PV generator). - If the problem occurs systematically even in conditions of high irradiation and with input voltage which is significantly higher than the activation voltage, contact customer assistance.
- E011 - Ramp Fault - ● Yellow LED	Long wait for "Booster" regime to start: Error internal to inverter relating to start up time for DC-DC circuit regime (Booster)	• Error inside the inverter and cannot be checked externally. - If the problem persists (once the inverter has been switched off and back on again), contact customer assistance.
- E012 - Internal error - ● Yellow LED	Error in the "Booster" circuit (DC-DC side) recorded by the "Inverter" circuit (DC-AC side): Error inside the inverter regarding the operation of the DC-DC circuit part (Booster).	• Error inside the inverter and cannot be checked externally. - If the problem persists (once the inverter has been switched off and back on again), contact customer assistance.
- E014 - Over temp. - ● Yellow LED	Excessive temperature inside the inverter: External temperature over 60°C. This parameter also depends on the power which the inverter must supply since the measurement of temperatures is done internally and is influenced by the heat dissipated by the components of the inverter itself	• Check that the inverter is not exposed to direct sunlight. Wait for the temperatures to which the inverter is exposed to return to the operating range and for the inverter to cool down. - If the problem persists (once the ambient temperature has returned to within the range), contact customer assistance. You must remember to wait for the time necessary to allow the inverter to cool down.
- E015 - Cap. Fault - ● Yellow LED	Breakdown recorded on the "Bulk" capacitor: Error inside the inverter regarding a problem in the bulk capacitors.	• Error inside the inverter and cannot be checked externally. - If the problem persists (once the inverter has been switched off and back on again), contact customer assistance.
- E016 - Internal error - ● Yellow LED	Error in the "Inverter" circuit (DC-AC side) recorded by the "Booster" circuit (DC-DC side): The alarm is generated when a problem is detected in the inverter circuit part (DC/AC).	• Error inside the inverter and cannot be checked externally. - If the problem persists (once the inverter has been switched off and back on again), contact customer assistance.

- Error code - Error message - LED status	Name of Alarm and Cause	Solution
- E017 - Internal error -  Yellow LED	Long wait for "Inverter" regime to start up: Error internal to inverter relating to start-up time for the DC-AC circuit regime (Inverter) The alarm can be caused by causes external to the inverter: a reduced input voltage on the inverter (just above the activation voltage) but which is not accompanied by a sufficient availability of power from the photovoltaic generator (typical condition of the stages with limited irradiation)	- If the error signal occurs sporadically, it may be due to causes external to the inverter (limited irradiation and so limited power availability from the PV generator). - If the problem occurs systematically even in conditions of high irradiation and with input voltage which is significantly higher than the activation voltage, contact customer assistance.
- E018 - Leak fault -  Red LED	High leakage current measured on the DC side (photovoltaic generator): The alarm is generated when, during normal operation of the inverter, a leakage current to ground is detected in the DC section of the system. It is also possible that the inverter generates the alarm E018 message also due to AC leakage currents connected to the capacitive nature of the photovoltaic generator compared to ground.	• Measure the isolation resistance using a megohmmeter positioned in the photovoltaic array (positive terminal short-circuited at the negative pole) compared to ground. The measurement is strongly influenced by the environmental conditions, so must be made under the same conditions in which the error occurred. - If the value measured is lower than 1 megaohm, a check must be carried out by a technician/installer on the photovoltaic generator to identify and eliminate the problem. - If the value measured is higher than 1 megaohm and the error signal persists, contact customer assistance.
- E019 - Internal error -  Yellow LED	Failure of test on sensor to measure the leakage current (DC side): Before connecting to the grid the inverter runs a self-test regarding the sensor for the leakage current. The test is carried out by "forcing", in the sensor of the leakage current, a current with a known value: the microprocessor compares the value read with the known value. The error is generated if the comparison between the read value and the known value during the test does not fall within the allowed tolerance.	• Error inside the inverter and cannot be checked externally. By its nature, the alarm only occurs prior to connection to the grid - If the problem persists (once the inverter has been switched off and back on again), contact customer assistance.
- E020 - Internal error -  Yellow LED	Failure of the test on the relay of the "Booster" (DC-DC circuit): Before connecting to the grid, the inverter carries out some internal tests. One of these tests concerns the correct operation of the booster relay. The test is carried out by "forcing" the switching of the relay and checking its operation. The error is generated if a problem is found in actioning the relay.	• Error inside the inverter and cannot be checked externally. By its nature, the alarm only occurs prior to connection to the grid - If the problem persists (once the inverter has been switched off and back on again), contact customer assistance.
- E021 - Internal error -  Yellow LED	Failure of the test on the inverter's relay (DC-AC circuit): Before connecting to the grid, the inverter carries out some internal tests. One of these tests concerns the correct operation of the inverter relay. The test is carried out by "forcing" the switching of the relay and checking its operation. The error is generated if a problem is found in actioning the relay.	• Error inside the inverter and cannot be checked externally. By its nature, the alarm only occurs prior to connection to the grid - If the problem persists (once the inverter has been switched off and back on again), contact customer assistance.
- E022 - Internal error -  Yellow LED	Timeout of the tests undertaken on the relays inside the inverter: Execution time for the self-test carried out on the relay of the DC_AC (inverter) circuit too high. It may indicate a problem connected to the aforementioned relays	• Error inside the inverter and cannot be checked externally. - If the problem persists (once the inverter has been switched off and back on again), contact customer assistance.
- E023 - DC injection -  Yellow LED	Feeding of direct current to grid outside of range: The error is generated if the direct component of the current supplied to the grid exceeds the threshold of 0.5% of the rated operating current. In any case, the inverter does not stop because of the E023 error, but tries to connect to the grid again. The sporadic repetition of the error is a sign of serious grid distortions or sharp irradiation changes, while systematic repetition of the error signal will indicate a breakdown on the inverter	Once the error appears, the inverter attempts to resume normal operation. - Should the error occur sporadically, it may be caused by a brusque transition of the grid voltage or of the input voltage, but is not due to a malfunction by the inverter. - If the error is connected to an internal fault, it will continue to appear and so it is necessary to contact customer assistance.

- Error code - Error message - LED status	Name of Alarm and Cause	Solution
- E024 - Internal error -  Yellow LED	Error inside the inverter: Error inside the inverter	<ul style="list-style-type: none"> • Error inside the inverter and cannot be checked externally. - If the problem persists (once the inverter has been switched off and back on again), contact customer assistance.
- E025 - Riso Low -  Red LED	Low value of isolation resistance: Before connecting to the grid the inverter measures the isolation resistance of the PV generator compared to ground. Should the measurement of the isolation resistance be below 1Mohm, the inverter does not connect to the grid and shows the "Riso Low" error. The causes may be: <ul style="list-style-type: none"> - Damaged PV panel(s). - Junction box(es) of the panels not correctly sealed, so as to permit infiltration by water and/or humidity; - Problems in connections between panels (not perfectly fit); - Poor quality of cable joints; - Presence in the DC section of unsuitable or damaged overvoltage surge arresters outside the inverter (reduced ignition voltage compared to the characteristics of the strings of the PV generator); - Presence of humidity inside any junction box 	<ul style="list-style-type: none"> • Measure the isolation resistance using a megohmmeter positioned in the photovoltaic array (positive terminal short-circuited at the negative pole) compared to ground. The measurement is strongly influenced by the environmental conditions, so must be made under the same conditions in which the error occurred. - If the value measured is lower than 1 megaohm, a check must be carried out by a technician/installer on the photovoltaic generator to identify and eliminate the problem. - If the value measured is higher than 1 megaohm and the error signal persists, contact customer assistance.
- E026 - Internal error -  Yellow LED	Internal reference voltage outside of range: Wrong measurement of reference voltage inside inverter	<ul style="list-style-type: none"> • Error inside the inverter and cannot be checked externally. - If the problem persists (once the inverter has been switched off and back on again), contact customer assistance.
- E027 - Internal error -  Yellow LED	Grid voltage outside of range: Error in the internal measurement of grid voltage (set by law) to have a redundant measurement (2 measurements on the same parameter made by two different circuits)	<ul style="list-style-type: none"> • Error inside the inverter and cannot be checked externally. - If the problem persists (once the inverter has been switched off and back on again), contact customer assistance.
- E028 - Internal error -  Yellow LED	Grid frequency outside of range: Error in the internal measurement of the grid frequency (imposed by regulations) to have a measurement redundancy (2 measurements on the same parameter carried out by two different circuits).	<ul style="list-style-type: none"> • Error inside the inverter and cannot be checked externally. - If the problem persists (once the inverter has been switched off and back on again), contact customer assistance.
- E029 - Mid Bulk OV -  Yellow LED	Internal overvoltage on the measurement of the "Mid bulk": Error inside the inverter (only triphase models)	<ul style="list-style-type: none"> • Error inside the inverter and cannot be checked externally. - If the problem persists (once the inverter has been switched off and back on again), contact customer assistance.
- E030 - Internal error -  Yellow LED	High leakage current (DC side): - Error on the internal measurement (performed when the inverter is connected to the grid) of the DC side (PV generator) leakage current with respect to ground (required by regulations) to have a measurement redundancy (2 measurements of the same parameter carried out by two independent circuits)	<ul style="list-style-type: none"> • Error inside the inverter and cannot be checked externally. - If the problem persists (once the inverter has been switched off and back on again), contact customer assistance.
- E031 - Internal error -  Yellow LED	Output relay damaged: Measurement of internal voltage on heads of the output relay outside of range. There is too great a difference in voltage between the input and output of the grid connection relay.	<ul style="list-style-type: none"> • Error inside the inverter and cannot be checked externally. - If the problem persists (once the inverter has been switched off and back on again), contact customer assistance.
- E032 - Internal error -  Yellow LED	Imbalanced output currents: Measurement of the unbalance in the output voltage (made across the three phases) outside of range (only in three-phase models)	<ul style="list-style-type: none"> • Error inside the inverter and cannot be checked externally. - If the problem persists (once the inverter has been switched off and back on again), contact customer assistance.
- E033 - Undertemper. -  Yellow LED	Low ambient temperature: Temperature outside the inverter below -25°C	<ul style="list-style-type: none"> • Wait for the temperatures to which the inverter is exposed to return to the operating range. - If the problem persists, contact customer assistance. You must remember to wait for the time necessary to allow the inverter to warm up.

- Error code - Error message - LED status	Name of Alarm and Cause	Solution
- E034 - IGBT not ready -  Yellow LED	"IGBT" circuitry not ready: Error inside the inverter	<ul style="list-style-type: none"> • Error inside the inverter and cannot be checked externally. - If the problem persists (once the inverter has been switched off and back on again), contact customer assistance.
- E035 - Remote Off -  Yellow LED	Inverter awaiting "remote ON" command: The inverter has been switched off remotely (remote OFF) and remains in waiting state for the signal that will switch it on again (remote ON).	<ul style="list-style-type: none"> • Switch the inverter back on remotely. If the unit does not switch on, disable the remote on/off function and switch the equipment off completely and then switch it on again. - If the problem persists (once the Remote ON/OFF function has been reactivated), contact customer assistance.
- E036 - Internal error -  Yellow LED	Average of the measurements of grid voltage outside of range: The average value of the grid voltage (sampled every 10 minutes) does not fall within the permitted ranges. The grid voltage in the point connected to the inverter is too high. This may be caused by a grid impedance that is too high. In the final stage of the timeout, the inverter limits the power to check whether the grid voltage has stabilised into regular parameters. If this does not happen, the inverter disconnects from the grid	<ul style="list-style-type: none"> • Check the grid voltage in the connection point to the inverter. - If the grid voltage differs from the range due to the conditions of the distribution grid, ask the operator to adjust the grid voltage. If the operator authorises a change to the inverter's parameters, agree the new limits with customer assistance.
- E037 - Riso Low -  Red LED	Low value of the isolation resistance (only with the "Amorphous" mode activated): This error can appear only if the "Amorphous" mode is enabled. This function is enabled only in inverters equipped with grounding kit and is used to monitor the voltage at the ends of the grounding resistor. The error appears when the voltage at the ends of the resistor connected between ground and pole of the photovoltaic generator exceeds 30V for more than 30 minutes or 120V for more than one second.	<ul style="list-style-type: none"> • Check for the presence and correct contact between the two terminals of the grounding resistance installed inside the inverter • Measure the isolation resistance using a megohmmeter positioned in the photovoltaic array (positive terminal short-circuited at the negative pole) compared to ground. The measurement is strongly influenced by the environmental conditions, so must be made under the same conditions in which the error occurred. - If the value measured is lower than 1 megaohm, a check must be carried out by a technician/installer on the photovoltaic generator to identify and eliminate the problem. - If the value measured is higher than 1 megaohm and the error signal persists, contact customer assistance.
- E046 - Str. test failed -  No LED	Error during the automatic check of the string voltages (only in models with the "fuse-control" board): In some inverter models it is possible to carry out the check test of the polarity of the strings connected to the input. This error signal occurs when, during the test stage, an inverted string is recorded	<ul style="list-style-type: none"> • Section the inverter and check the polarity of the string(s) which the inverter has recorded as inverted. - Once all the strings have been correctly connected, activate the system once again; the inverter will once again check the correct polarity of the string inputs at the end of which it will carry out the checks for the grid connection. - If the problem persists (once the inverter has been switched off and back on again), contact customer assistance.
- E049 - Internal error -  Yellow LED	Error in the "AC feed-forward" circuit: Error inside the inverter	<ul style="list-style-type: none"> • Error inside the inverter and cannot be checked externally. - If the problem persists (once the inverter has been switched off and back on again), contact customer assistance.
- E050 - AFDD Activated -  Yellow LED	Arc Fault protection activated: Possible photovoltaic arc detected on the DC side.	<ul style="list-style-type: none"> • If it is the first time this problem has occurred, press the ESC button for 5 seconds and wait for the unit to restart. - If the problem persists (once the inverter has been switched off and back on again), contact customer assistance.
- E051 - Safety mem. Fault -  Yellow LED	Error inside the inverter.	<ul style="list-style-type: none"> • Error inside the inverter and cannot be checked externally. - If the problem persists (once the inverter has been switched off and back on again), contact customer assistance.
- E053 - AFDD Fault -  Yellow LED	Arc Fault board autotest failed: Problem detected during the AFDD board autotest phase.	<ul style="list-style-type: none"> • Error inside the inverter and cannot be checked externally. - If the problem persists (once the inverter has been switched off and back on again), contact customer assistance.

- Error code - Error message - LED status	Name of Alarm and Cause	Solution
- E054 - AFDD comm. Fault - ● Yellow LED	Arc Fault board communication error: Error on the RS485 serial communication detected between the inverter and the AFDD board.	• Error inside the inverter and cannot be checked externally. - If the problem persists (once the inverter has been switched off and back on again), contact customer assistance.
- E055 - AFDD wrong conf. - ● Yellow LED	Arc Fault board parameter reading error: Error in the parameter reading by the system.	• Error inside the inverter and cannot be checked externally. - If the problem persists (once the inverter has been switched off and back on again), contact customer assistance.
- E057 - Vbulk reading - ● Yellow LED	Input voltage (Vin) higher than booster voltage (Vbulk): The error occurs if the input voltage exceeds the Bulk voltage (voltage on the DC-DC circuit inside the inverter)	• It is necessary to measure the input voltage inside the inverter with a voltmeter. - If it is higher than the maximum voltage of the operating range, the alarm is genuine and it is necessary to check the configuration of the PV generator. If the voltage has also exceeded the maximum input threshold the inverter could be damaged. - If it is lower than the maximum voltage of the operating range, the alarm is caused by an internal malfunction and it is necessary to contact customer assistance.
- E058 - Internal error - ● Yellow LED	Error in the check of Pin vs Pout: The error occurs if the difference between the measured value of input power and that of output power is greater than the limit imposed internally to the inverter.	• Error inside the inverter and cannot be checked externally. - If the problem persists (once the inverter has been switched off and back on again), contact customer assistance.
- E074 - Internal error - ● Yellow LED	Communication error inside the inverter: The alarm occurs when there are communication problems between the control devices inside the inverter.	• Error inside the inverter and cannot be checked externally. - If the problem persists (once the inverter has been switched off and back on again), contact customer assistance.
- E077 - Internal Error - ● Yellow LED	Error in the system configuration: Error inside the inverter	• Error inside the inverter and cannot be checked externally. - If the problem persists (once the inverter has been switched off and back on again), contact customer assistance.
- E078 - Riso Test fail - ● Yellow LED	Riso test error: Problem detected during the Riso test phase.	• Error inside the inverter and cannot be checked externally. - If the problem persists (once the inverter has been switched off and back on again), contact customer assistance.
- E079 - Wrong Sequence - ● Yellow LED	Incorrect Phases connection (Only triphase models) The phases have not been connected correctly to the AC output	• Invert two of the phases of the network wiring to the AC terminal block of the inverter.
- E084 - BackFeed OC - ● Yellow LED	Return current to photovoltaic field: The error occurs if the input voltage is particularly low (typically in the evening in conditions of low irradiation) and indicates a return current from the inverter to the photovoltaic panels).	If the error occurs in the evening or in conditions of low irradiation, it must not be considered a problem but a protection intervention for the photovoltaic field. - If the error occurs with good irradiation conditions, switch the inverter off and back on again; if the error persists, contact customer assistance.

8.11.3 Power limitation messages

The equipment can signal possible output power limitations which may occur on the basis of:

- settings made by the user
- settings required by the grid standard of the country of installation
- protective devices inside the inverter

The limitation messages can only be verified on the Web User Interface on “Status Summary” section.

8.12 “Registration website” and “Admin Plus token”

In order to obtain the security token needed to obtain the “Admin Plus” privileges in the web user interface, it is necessary to go through the following stages:

Stage 1 - Collection of information relating to the inverter.

Collect the following information relating to each inverter for which you wish to have the security token:

- S/N - Serial number of the inverter. This information can be found on the product label giving the identity details of the inverter.
The serial number consists of 6 digits (the last 6 in models with a label giving a 10-digit S/N).
- WK - Production week. This information can be found on the product label giving the identity details of the inverter.
The production week consists of 4 figures, indicating the week (first 2 digits) and the year of production (last 2 digits).

Stage 2 - Registration on <https://registration.solar.fimer.com>

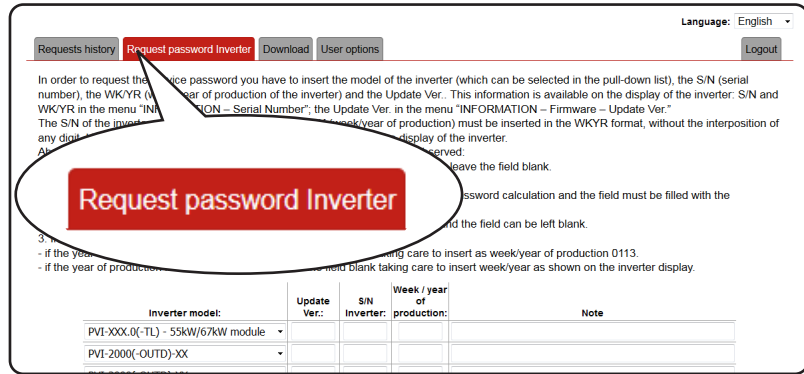
- Go online and access <https://registration.solar.fimer.com>
- Set the desired language and click on the specific icon to start registration
- Insert the personal data requested and end the registration stage
- An email will be sent to the email address used with a link to complete the registration process.
- Once the registration process is over, a further email will be sent with the password to access the website.

NOTE – The security token obtained enables access also to the advanced “Installer” mode present on the configuration software for inverters. The configuration software can be downloaded in a specific section of the website <https://registration.solar.fimer.com>

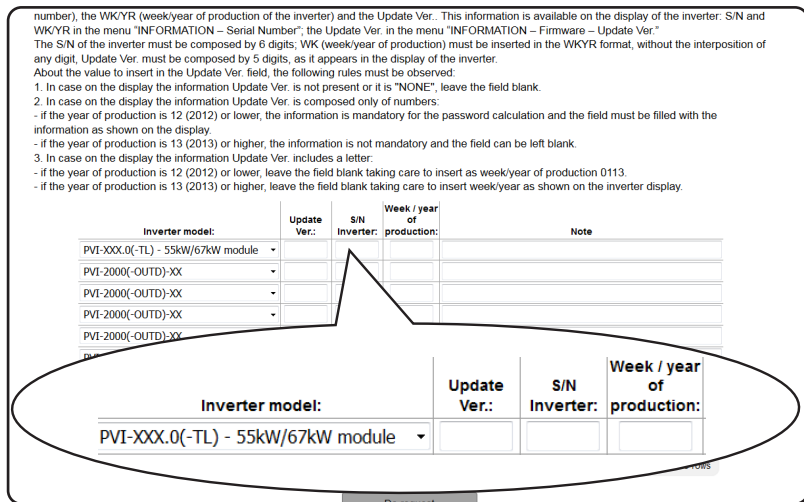
Stage 3 - Request for the security token

- Go online and access <https://registration.solar.fimer.com>
- Insert the Username (corresponding to the email used during registration) and the Password obtained at the end of Stage 2

- Access the section dedicated to requesting the security token

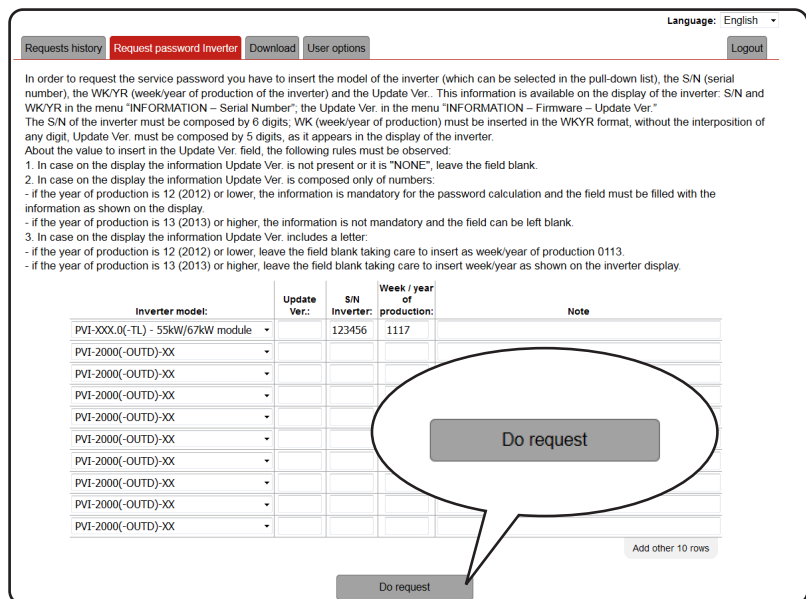


- Choose the inverter model from the drop-down list and insert Serial Number and Week of Production of the inverter which were obtained previously (Stage 1)



- Click on icon to request the security token.

Should there be an error in inputting data, the fields containing the error will be highlighted in red. If, on the other hand, the data are correct, the passwords will be shown in a new window and at the same time sent to the email address used for registration.



ATTENTION – The security token enables the "Admin Plus" privileges which allows the inverter's sensitive parameters to be changed. Proceed to changing the aforementioned parameters only when requested by the grid operator or by customer assistance.

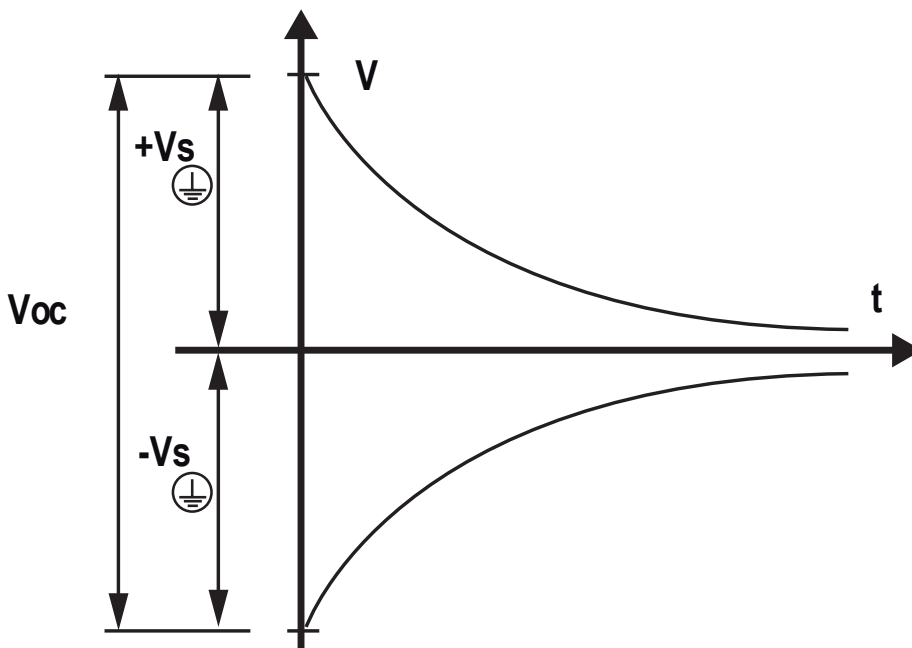
8.13 Verification of ground leakage

In the presence of anomalies or report of ground fault (where provided), there may be a ground leakage from the PV generator (DC side).

To check this, measure the voltage between the positive pole and ground and between the negative pole (of the PV generator) and ground using a voltmeter whose input accepts a voltage sufficient for the dimensions of the photovoltaic generator.

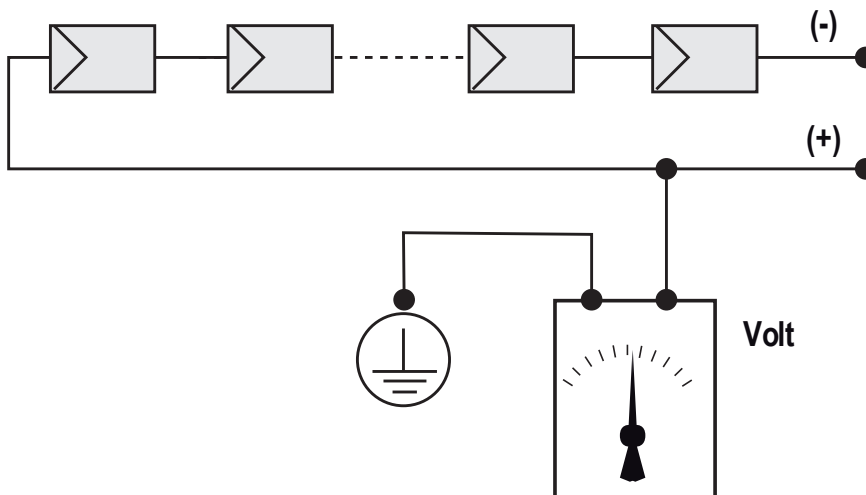
8.13.1 Behaviour of a system without leakage

Due to the capacitive effect of the PV generator, during the first moments that the voltmeter is connected between one of the two poles and ground, it will measure a voltage of about $V_{oc}/2$, which will tend to stabilize to around 0V if there is no ground leakage, as shown in the graph below:



NOTE – The internal resistance of the voltmeter tends to zero the voltage present on the PV generator due to the capacitive effect.

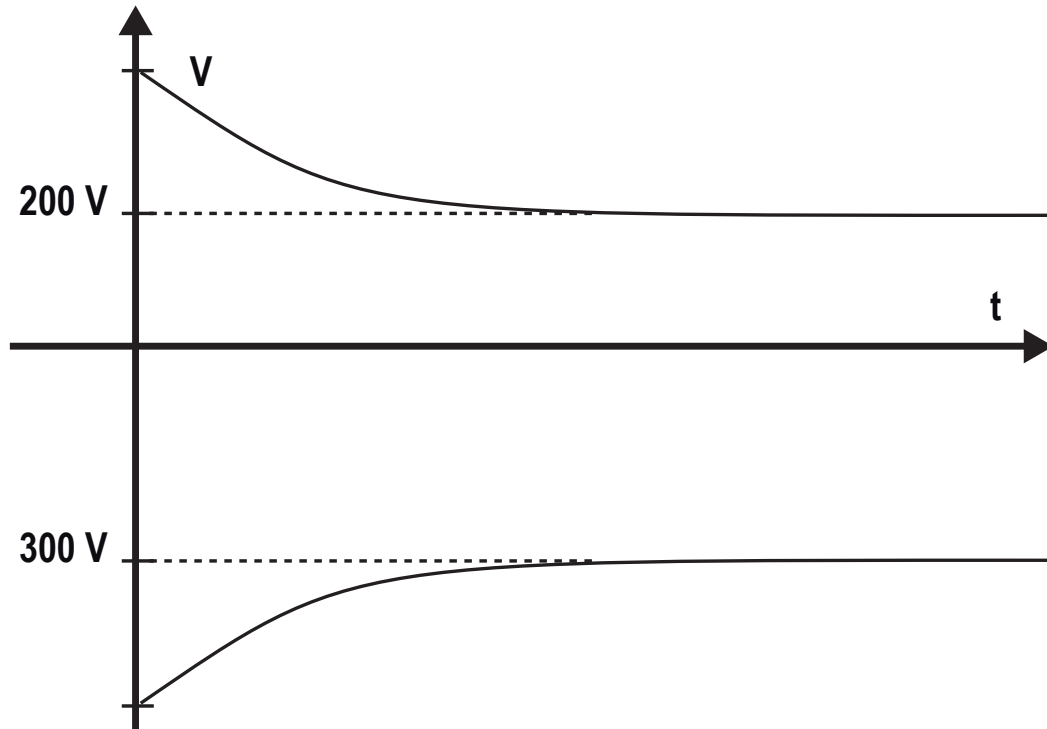
How to make the measurement:



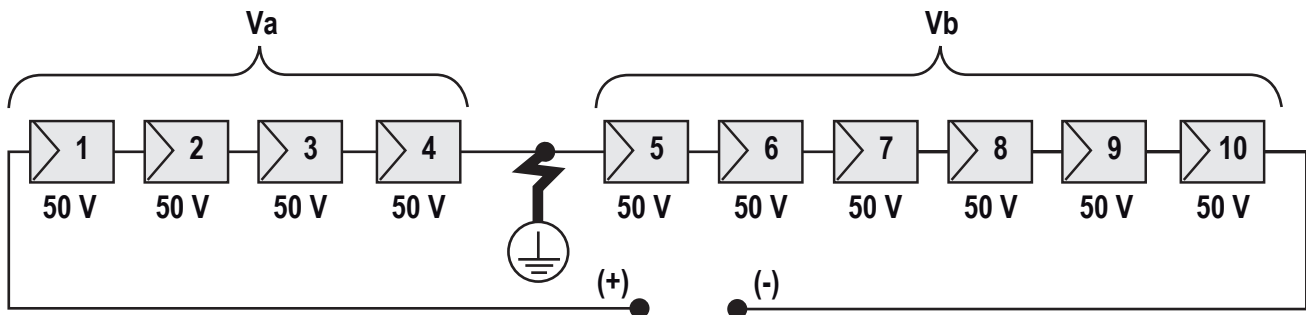
8.13.2 Behaviour of a system with leakage

If the voltage measured between one of the two poles and ground does not tend to 0V and stabilizes on a value, there is a ground leakage from the PV generator.

Example: When the measurement is made between positive pole and ground, a voltage of 200V is measured.



This means that if the system is made up of 10 modules in series and each one supplies 50V, the leakage can be located between the 4th and 5th PV module.



V_a = voltage measured between + pole and \oplus = 200V

V_b = voltage measured between - pole and \oplus = 300V

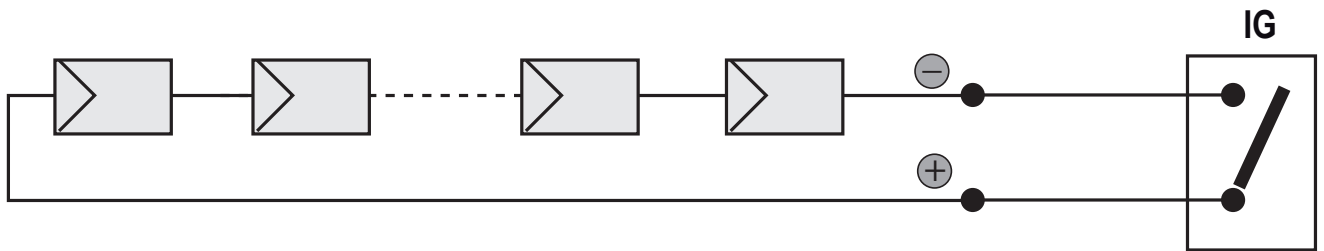
In all measurements with \oplus , the ground of the inverter is indicated.

8.14 Measuring the isolation resistance of the PV generator

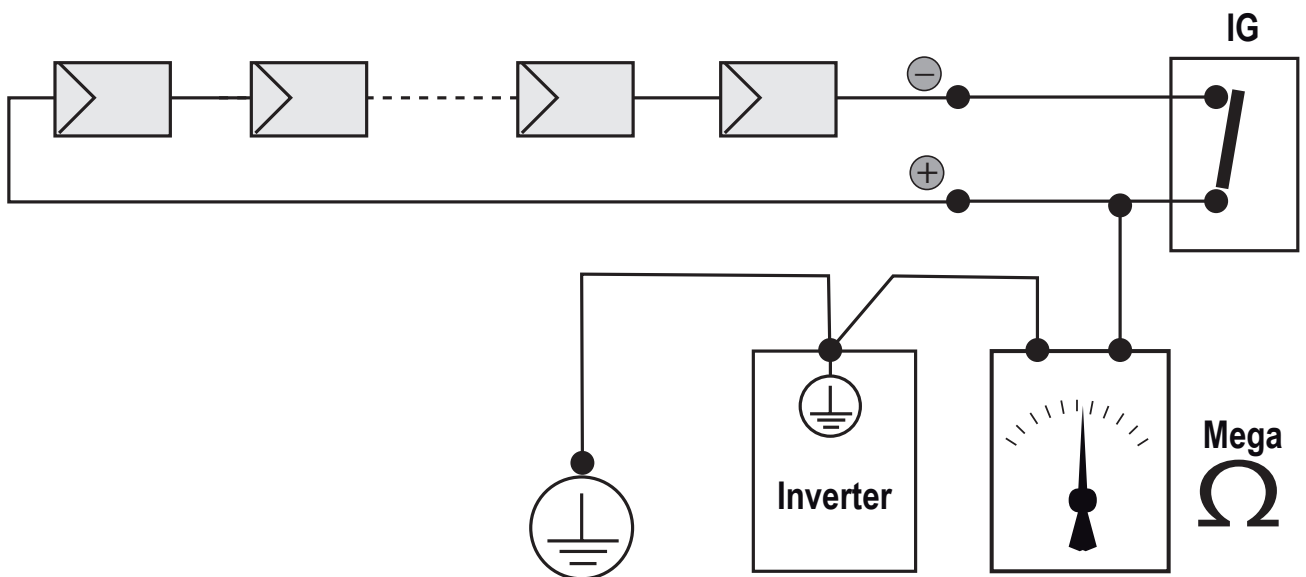
⚠ WARNING – The operator must always use the personal protective equipment (PPE) required by the laws of the country of destination and whatever is provided by their employer.

To measure the isolation resistance of the PV generator compared to ground (⊥), the two poles of the PV generator must be short-circuited (using a suitable sized switch).

⚠ WARNING – Use of inappropriate sized switch could cause risk of fire or electric arc! Use only 1500V rated switch!



Once the short-circuit has been made, measure the isolation resistance (Riso) using a megohmmeter positioned between the two shorted poles and ground (of the inverter).



If the measured isolation resistance (Riso) is less than 33 kOhm, the inverter may not connect to the grid because of low isolation of the PV generator to ground.

⚠ ATTENTION – The isolation resistance can be affected by the environmental conditions the PV generator is in (E.g.: PV modules wet from damp or rain), and therefore the measurement must be made immediately after the anomaly is detected

8.15 Storage and dismantling

8.15.1 Storage of the equipment or prolonged stop

If the equipment is not used immediately or is stored for long periods, check that it is correctly packed and contact FIMER for storage instructions.

The equipment must be stored in well-ventilated indoor areas having no characteristics that could damage the components of the equipment.

Restarting after a long or prolonged stop requires a check and, in some cases, the removal of oxidation and dust that will also have settled inside the equipment if not suitably protected.

8.15.2 Dismantling, decommissioning and disposal

FIMER is not responsible for any loss of the equipment, or part of it, which does not take place on the basis of the regulations and laws in force in the country of installation.



The symbol of the cancelled bin (where present) indicates that the product must not be disposed of with domestic waste at the end of its useful life.

This product must be delivered to the waste collection point of the local community for recycling.

For further information, refer to the public body responsible for waste disposal in the country.

Inappropriate disposal of waste can have a negative impact on the environment and human health owing to potentially dangerous substances.

By cooperating in the correct disposal of this product, you contribute to the reuse, recycling and recovery of the product, and the protection of our environment.

Dispose of the various types of materials that the parts of the equipment consist of in dumps that are suitable for the purpose.

COMPONENT	MATERIAL OF CONSTRUCTION
Frame, brackets, supports	Arc-welded steel FE37, aluminium
Casing or covers	ABS, plastic
Paint	RAL
Gaskets and seals	Rubber / Teflon / Viton
Electrical cables	Copper / Rubber
Cable trays	Polyethylene / Nylon
Batteries	Nickel / Lead/ Lithium

9. Attachments

9

9.1 Port and network services used by the inverter

9.1.1 IP Network Services

Any network connected to the inverter must allow traffic to pass on the following ports. Network firewall rules (if present) must allow responses to the inverter over existing TCP connections.

Direction	Service/Port	Protocol	Description
In	ssh/22	Tcp	For local debugging by FIMER service personnel, the inverter utilizes encrypted SSH. To allow service personnel local access to the inverter.
Out	domain/53	Tcp/udp	The inverter must be able to resolve domain names, to ensure scalability and dynamic changes on the Internet (DNS). (required)
Out	https/443	Tcp	As an HTTP client, the inverter uses SSL/TLS protocol connections to Aurora Vision® servers for secure communication. The inverter uses this port for all services, including data transmission, firmware upgrade, configuration management, and remote command transmission. (required)
Out	dhcp/67, dhcp/68	Udp	If DHCP service is not available, static network information must be assigned to the inverter (preferred)
Out	ntp/123	Udp	The inverter uses this port for network time services (NTP). (preferred)
Out	modbus/502	Tcp	The inverter offer a Modbus TCP server connection on this port.
Out	dns-sd/5353	Udp	The inverter uses this protocol to resolve the local IP address.
Out	http/80	Tcp	As an HTTP client, the inverter uses this protocol to offer local connection.

9.1.2 Network Hosts

The inverter will connect to the following hosts. Some servers owned by FIMER, and others are customer or ISP servers. Servers listed as owned by “Customer IT/ISP” must be configured in the inverter using either DHCP or as static network information.

Host	Purpose	Port	Owner/Manager
platform.auroravision.net	Data, configuration	TCP:443	FIMER
gw1.auroravision.net and/or apt.fatspaniel.net	Inverter firmware upgrade	TCP:443	FIMER
Site dependent	DHCP (optional)	UDP:67, UDP:68	Customer IT/ISP
Site dependent	DNS	UDP:53, TCP:53	Customer IT/ISP

9.1.3 Inverter network configuration

The inverter requires a valid network configuration in order to operate. This information can either be provided by a DHCP server provided by the customers network (the default), or the inverter can be configured with static network information. Regardless of how the inverter is configured, the following information is required.

Configuration	Purpose
IP Address	Allows the inverter to take part in the local network. This does not need to be a public IP address. In most cases this is a private IP address.
Subnet mask	Used to determine if two computers are on the same network.
Gateway	The IP address of the computer which will forward network traffic from the local network to an external network
DNS Server	The IP address(es) of the computer(s) which resolve domain names.

Contact us

www.fimer.com



For more information
please contact
your local FIMER
representative or visit:

fimer.com

We reserve the right to make technical changes or modify the contents of this document without prior notice. With regard to purchase orders, the agreed particulars shall prevail. FIMER does not accept any responsibility whatsoever for potential errors or possible lack of information in this document.

We reserve all rights in this document and in the subject matter and illustrations contained therein. Any reproduction, disclosure to third parties or utilization of its contents – in whole or in parts – is forbidden without prior written consent of FIMER. Copyright© 2020 FIMER. All rights reserved.