

Solar Inverters

PVS-330-TL

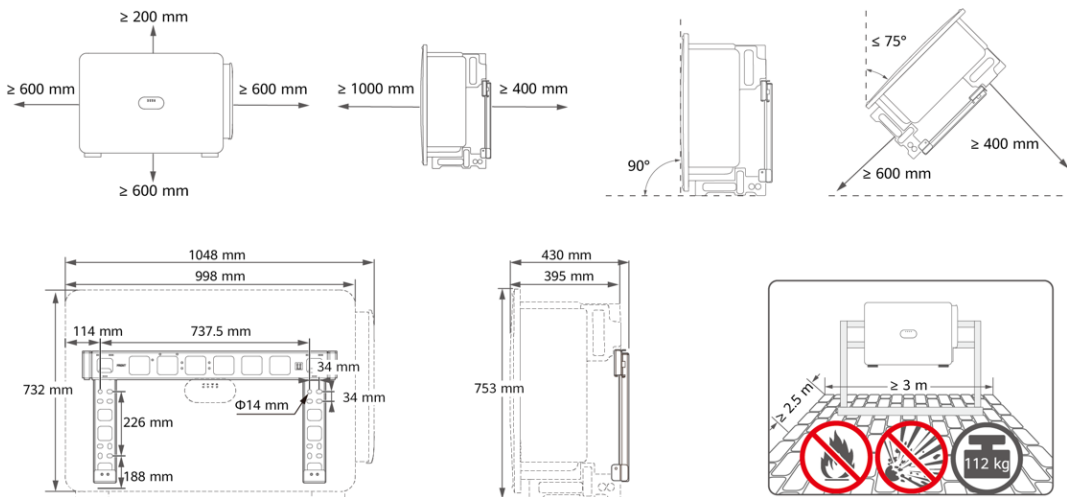
Quick Installation Guide



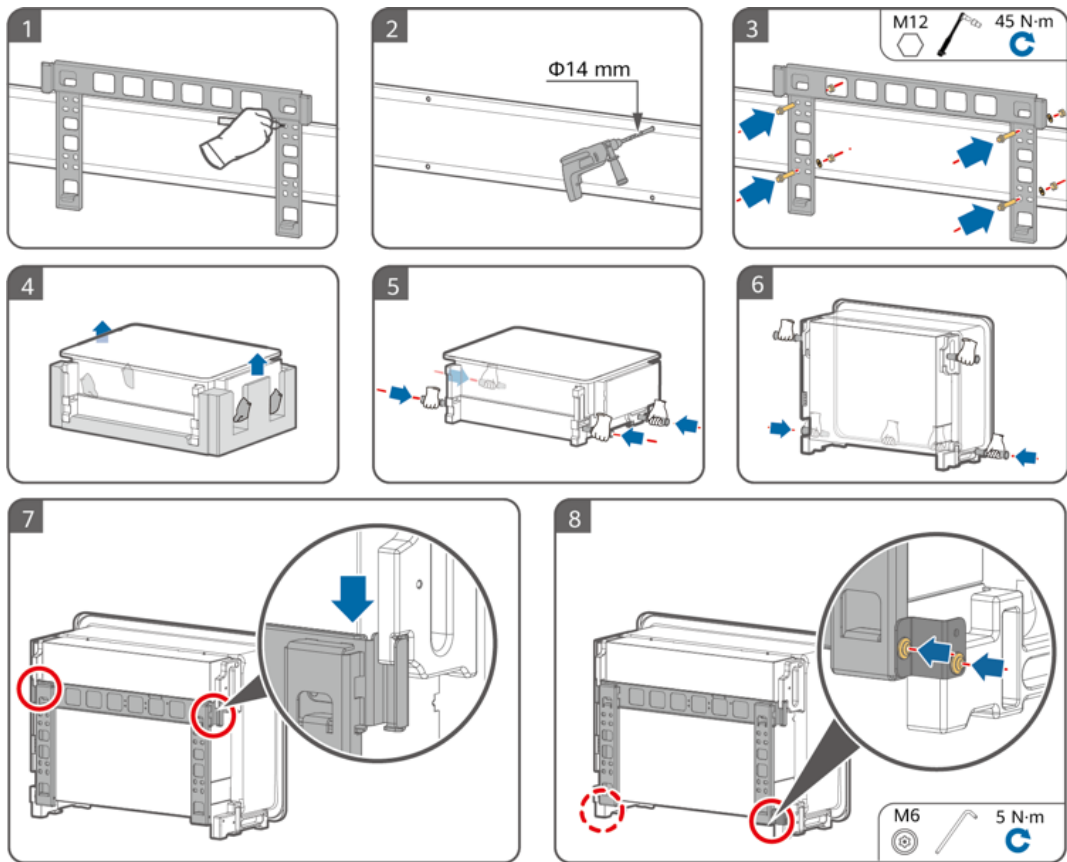
EN: Operative manual

**APPLY HERE
THE COMMUNICATION
IDENTIFICATION LABEL**

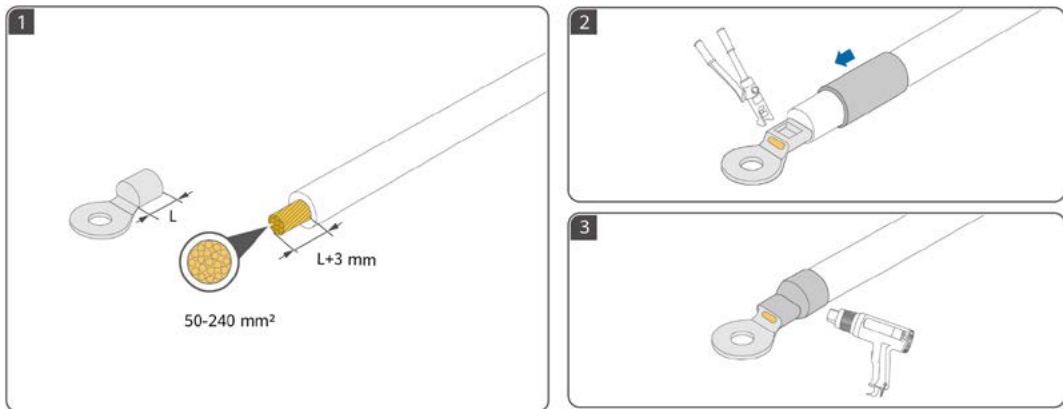
1. Installation Requirements



2. Installing the Device

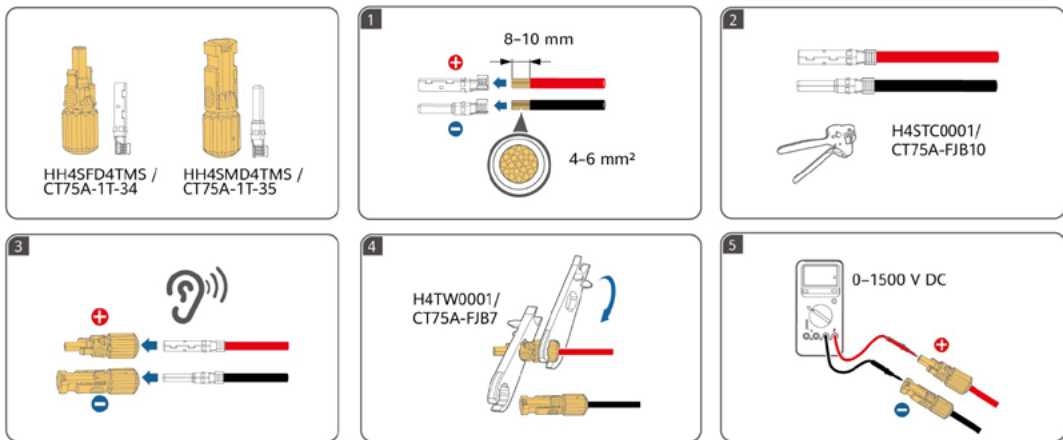


3. Preparing a PE Cable



4. Preparing DC Cables

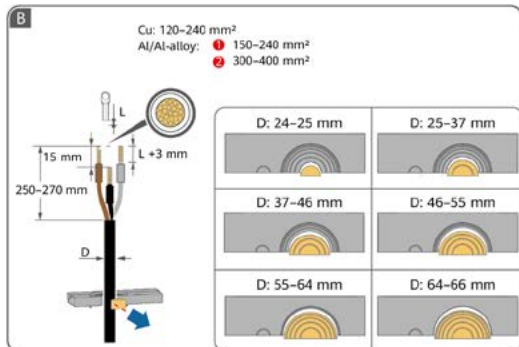
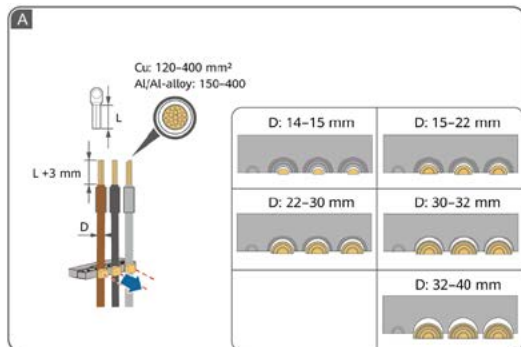
Use the positive and negative metal terminals and DC connectors delivered with the inverter. PV10 must be connected to a PV string.



5. Preparing an AC Cable



- 1) Do not connect loads between the inverter and the AC switch that directly connects to the inverter. Otherwise, the switch may trip by mistake.
- 2) If an AC switch is used with specifications beyond local standards, regulations, or the company's recommendations, the switch may fail to turn off in a timely manner in case of exceptions, causing serious faults.
- 3) Each inverter must be equipped with an AC output switch. Multiple inverters cannot connect to the same AC output switch.
- 4) To ensure that the inverter can be safely disconnected from the power grid when an exception occurs, connect an AC switch to the AC side of the inverter. Select an appropriate AC switch in accordance with local industry standards and regulations.



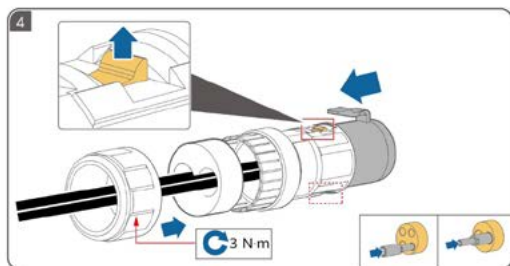
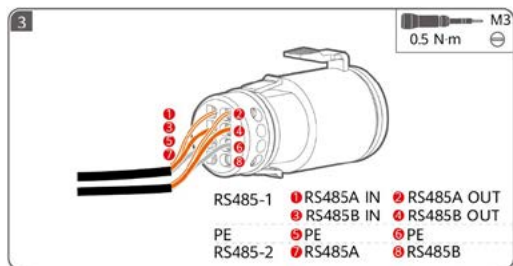
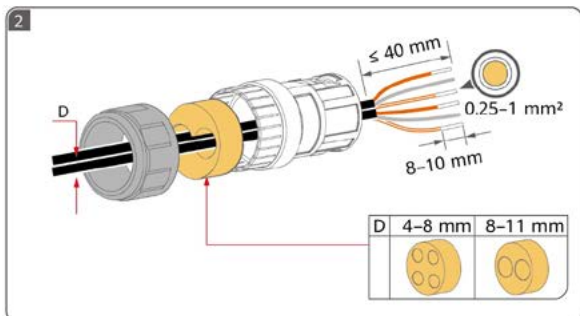
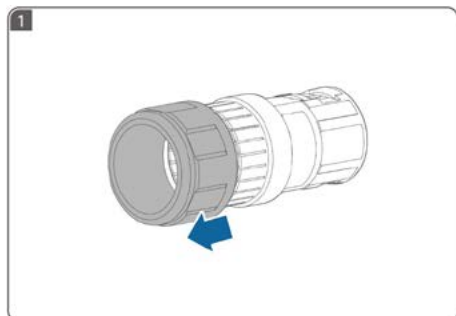
1

Cable stripping inside the compartment.

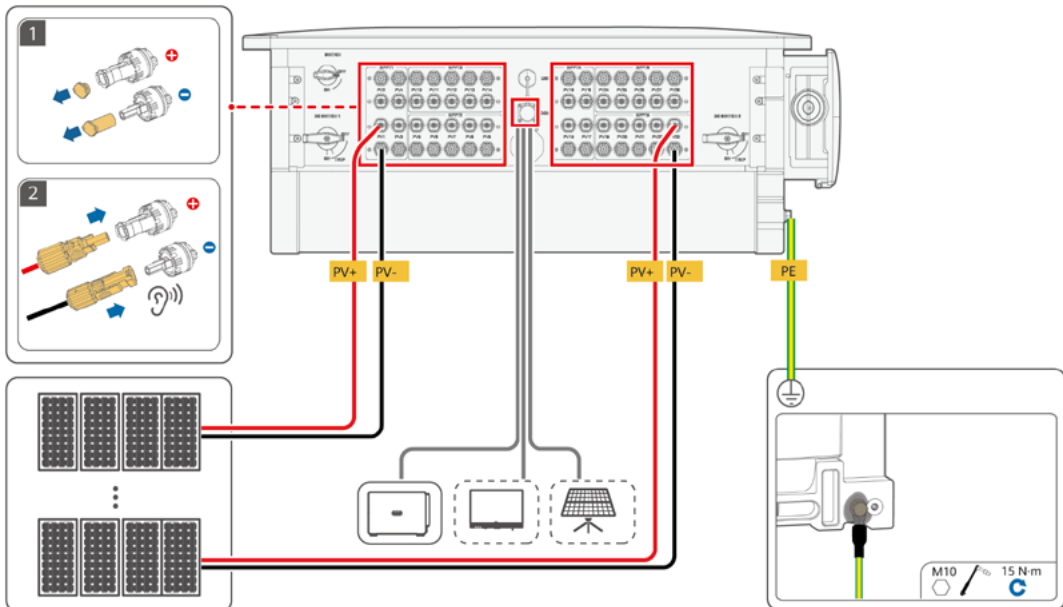
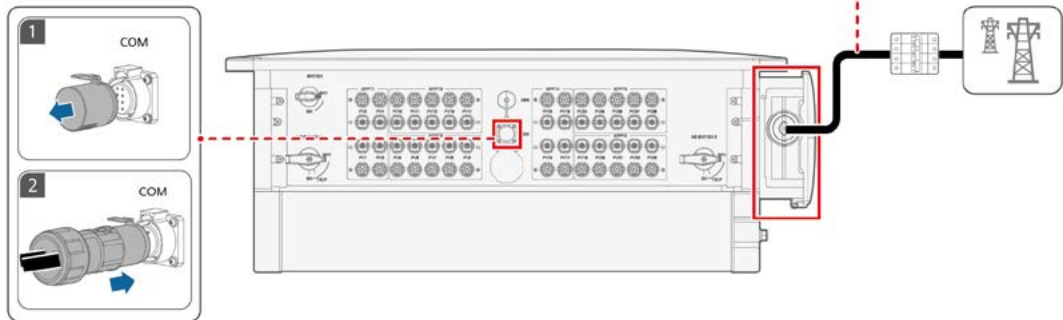
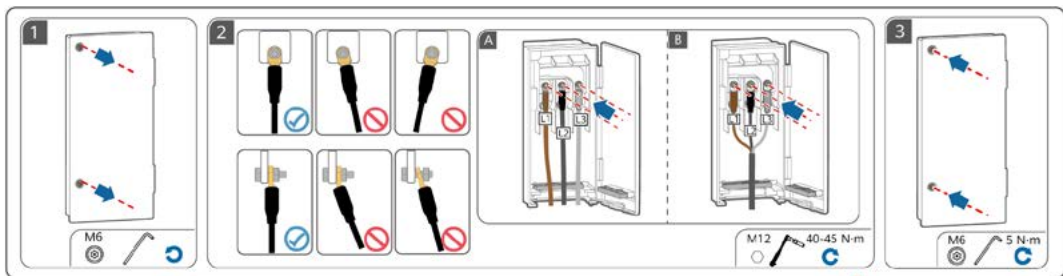
2

Cable stripping outside the compartment is supported when protection is added. For details, see the user manual.

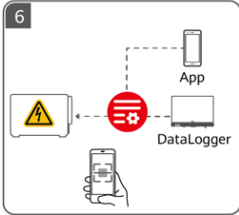
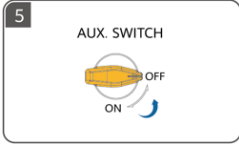
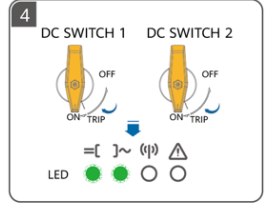
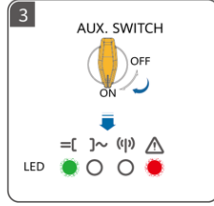
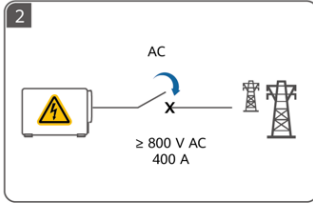
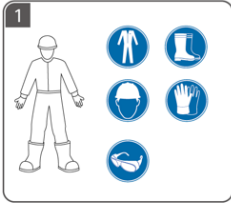
6. Preparing signal Cable



7. Electrical connections



8. Power-On and Commissioning





For more information
please contact your local
MA Solar representative
or visit:

fimer.com

FIMER_PVS330TL-31500LBE_revA

10.07.2025

We reserve the right to make technical changes or modify the contents of this document without prior notice. With regard to purchase orders, the agreed particulars shall prevail. MA Solar Italy srl does not accept any responsibility whatsoever for potential errors or possible lack of information in this document.

We reserve all rights in this document and in the subject matter and illustrations contained therein. Any reproduction, disclosure to third parties or utilization of its contents – in whole or in parts – is forbidden without prior written consent of MA Solar Italy srl. Copyright© 2025 MA Solar Italy srl. All rights reserved.