



Solar inverter

PVS980-CS

The FIMER compact skid is a plug-and-play solution designed for large-scale solar power generation using PVS980-58 high-power central inverters.

It houses all the electrical equipment that is needed to rapidly connect a photovoltaic (PV) power plant to a medium voltage (MV) electricity grid.

Up to 4600 kVA

Turnkey-solution for PV power plants

The FIMER compact skid design capitalizes on FIMER’s long experience in developing and manufacturing solutions for utilities and major end users worldwide in conventional power transmission installations.

A skid houses one or two outdoor 1818 to 2091 kVA FIMER PVS980-58 central inverters, an optimized MV oil immersed transformer, MV switchgear and all needed auxiliary services. The FIMER compact skid is used to connect a PV power plant to a MV electricity grid easily and rapidly. To meet the PV power plant’s demanded capacity, several FIMER compact skids can be used.

Compact design eases transportation

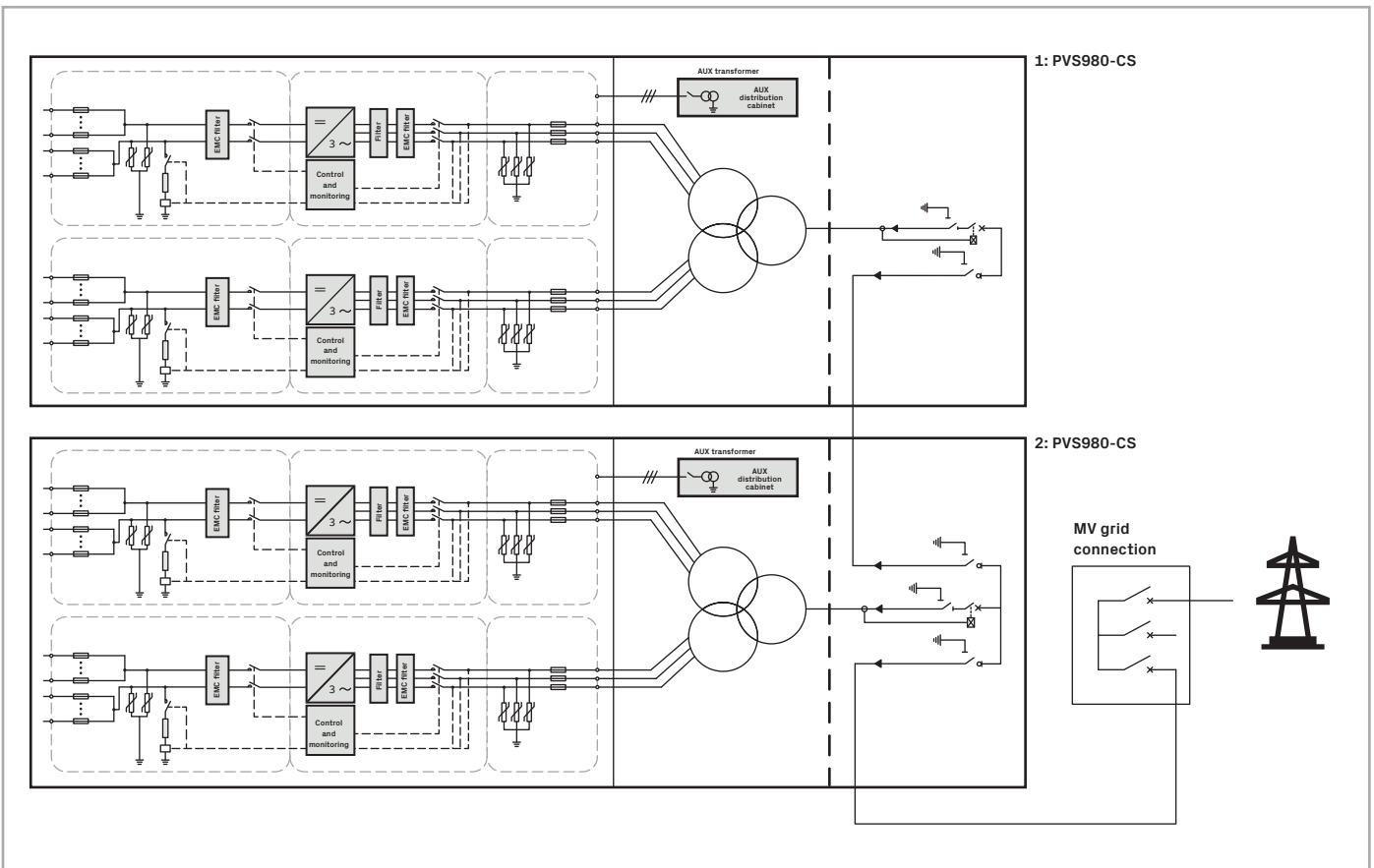
The compact skid solution has dimensions suitable for transportation inside closed 40 feet High Cube shipping container. The total package weighs less than 24 tons. The standardized shipping dimensions ensures cost-effective and safe transportability to the site, even overseas.

Inverter’s optimized air circulation and filtering system, together with hermetically sealed oil immersed transformer enable installations in various ambient conditions, from harsh desert temperatures to cold and humid environments. The FIMER compact skid is designed for at least 25 years of operation.

Highlights

- Proven technology and reliable components
- Compact and robust design
- Outstanding endurance for outdoor use
- High DC input voltage up to 1500 V_{DC}
- High total efficiency
- Extensive DC and AC side protection
- Self-contained cooling system for inverters
- Modular and serviceable system
- Embedded auxiliary power distribution system
- Extendable manufacturing footprint with fast deliveries
- Global life cycle services and support
- Transportable inside closed 40 feet HC shipping container
- Arc-proof design

Compact skid design and grid connection



PVS980-CS

Solar inverters

Like other FIMER central inverters, the PVS980-58 has been developed on the basis of decades of experience in the industry and proven technology platform. Unrivalled expertise from the world's market and technology leader in frequency converters is the hallmark of this solar inverter series.

The PVS980-58 inverter is one of the most efficient and cost-effective ways of converting the direct current (DC) generated by solar modules into high quality and CO₂-free alternating current (AC) that can be fed into the power distribution network. One or two FIMER central inverters are used in the FIMER compact skid. The inverters provide high conversion efficiency with low auxiliary power consumption, as well as very low maintenance need.

Transformer

The FIMER compact skid includes an oil immersed transformer. The transformer is designed to meet the reliability, durability and

efficiency required in PV applications. It is specifically designed and optimized for FIMER solar inverters to provide the best performance throughout the lifetime of the plant.

Different power transformers are available to meet customer requirements. All transformers are manufactured in accordance with the most demanding industry and international standards.

Switchgear

The FIMER compact skid is equipped, as standard, with the widely proven SF₆-insulated switchgear.

A sealed steel tank with constant atmospheric conditions ensures a high level of reliability as well as personnel safety. The virtually maintenance-free system comes in a compact and flexible design that allows for a versatile switchgear configuration with arc-proof capability.

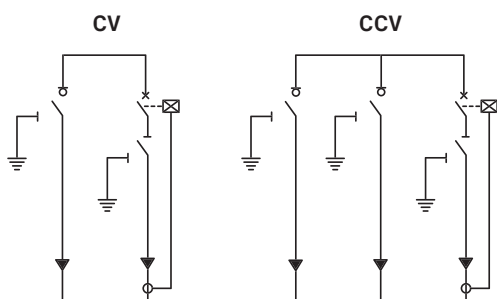
Technical data and type

Type code	2.0MVA	2.1MVA	2.2MVA	2.3MVA	4.0MVA	4.2MVA	4.4MVA	4.6MVA
Maximum rating in kVA	2000	2100	2200	2300	4000	4200	4400	4600
Inverter								
Inverter	PVS980-58, 2.0 - 2.3MVA							
Maximum operating DC input voltage	1500 V							
Number of inverters	1	1	1	1	2	2	2	2
Number of independent MPPT	1	1	1	1	2	2	2	2
MPPT range @ 35° C in V	850-1500	893-1500	935-1500	978-1500	850-1500	893-1500	935-1500	978-1500
MPPT range @ 50° C in V	850-1100	893-1100	935-1100	978-1100	850-1100	893-1100	935-1100	978-1100
AC output voltage	600 V	630 V	660 V	690 V	600 V	630 V	660 V	690 V
MV transformer								
Transformer type	Oil immersed (ONAN)							
AC Power @ 35° C in kVA	2000	2100	2200	2300	4000	4200	4400	4600
AC Power @ 50° C in kVA	1818	1909	2000	2091	3636	3818	4000	4182
Number of secondary windings	1	1	1	1	2	2	2	2
Low voltage level	600 V	630 V	660 V	690 V	600 V	630 V	660 V	690 V
Medium voltage level range	≤ 36 kV							
Rated frequency	50Hz or 60 Hz							
Oil type	Mineral (vegetable optional)							
Tap changer	± 2 x 2.5%							
Winding material (primary / secondary)	Al / Al							
Eco efficiency optional	Yes							
MV switchgear								
Switchgear type	SF ₆ -insulated							
Rated current	630 A							
Configuration	Single (CV) or double feeder (CCV)							
Protection (up to 24 kV / up to 36 kV)	Circuit breaker (16 kA or 20 kA / 20 kA or 25 kA)							
Protection relay type	REJ603 (others on request)							
Motorized optional	Yes							

Technical data and type

Type code	2.0MVA	2.1MVA	2.2MVA	2.3MVA	4.0MVA	4.2MVA	4.4MVA	4.6MVA
Auxiliary supply								
Auxiliary transformer power	10 kVA (20kVA, 30kVA optional)							
Auxiliary transformer primary voltage level	600 V	630 V	660 V	690 V	600 V	630 V	660 V	690 V
Auxiliary transformer secondary voltage level	400-230 V							
Low voltage distribution panel for auxiliary functions	Yes							
Mechanical characteristics								
Dimensions (length x width x height) in mm	11850 x 2150 x 2570 (40ft HC container dimensions)							
Weight approx. in ton	17	17	17	17	24	24	24	24
Environmental								
Operating temperature range	-20° C ... +50° C							
Operating altitude range	≤ 2000 m							
Relative humidity (non-condensing)	≤ 95%							
Environmental protection rating	IP 54 (IP 66 for inverter)							
Painting corrosion protection	C4 (C5M optional)							
Product compliance								
Conformity	IEC 60364, IEC 61936-1, IEC 60502-1							
Grid support	Reactive power compensation (also at night), power reduction, LVRT, HVRT, FqRT							

MV switchgear standard configurations for FIMER compact skid



Accessories

- Solar array junction boxes with string monitoring
- Remote monitoring solutions
- Warranty extensions

Options

- MV AC output voltages up to 36 kV
- Different MV switchgear configurations
- I/O extensions
- DC grounding, positive
- Floating DC

- Fieldbus and Ethernet connections
- Auxiliary power supply up to 40kVA
- C5M enclosure corrosion protection

Support and service

FIMER supports its customers with a dedicated global service network and provides a complete range of life cycle services from installation and commissioning to preventative maintenance, spare parts, repairs and recycling.



For more information please contact your local FIMER representative or visit:

fimer.com

We reserve the right to make technical changes or modify the contents of this document without prior notice. With regard to purchase orders, the agreed particulars shall prevail. FIMER does not accept any responsibility whatsoever for potential errors or possible lack of information in this document.

We reserve all rights in this document and in the subject matter and illustrations contained therein. Any reproduction, disclosure to third parties or utilization of its contents – in whole or in parts – is forbidden without prior written consent of FIMER. Copyright© 2020 FIMER. All rights reserved.

