



EV charger accessory

FIMER FLEXA

Stand-Basic

FIMER FLEXA Stand-Basic is the support suitable for all versions and models of FIMER FLEXA AC Wallbox.

FIMER FLEXA Stand-Basic is the ideal alternative to Wallbox wall installation.

A versatile product with a compact design, it is available for single or double charge, and is suitable for all versions of FIMER FLEXA AC Wallbox and for all positioning requirements, both indoor and outdoor.

Both versions of the product are equipped with "L" shaped supports, designed to offer a practical support for the charging cable.

Robust

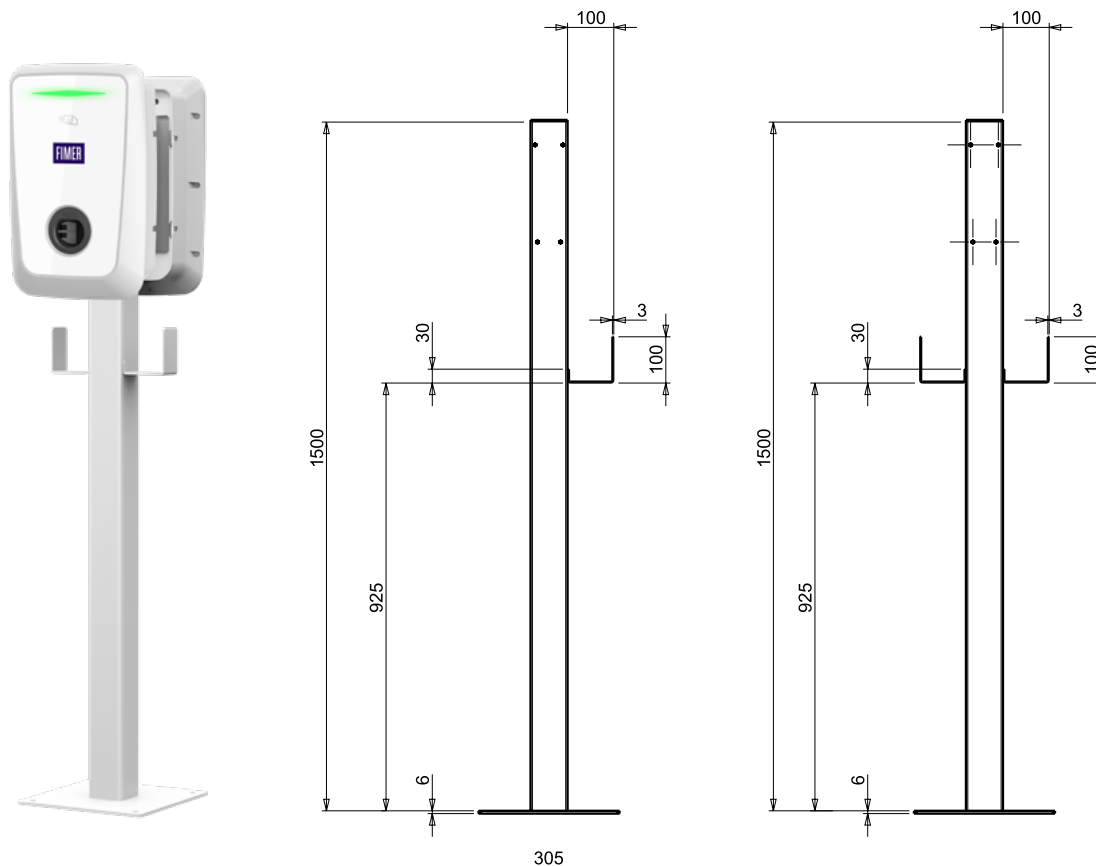
Made of painted steel.

Versatile

Available for single or double charging modes.

Practical

"L" shaped support to hold the charging cable.



Technical data

FIMER FLEXA Stand-Basic	Single	Double
Dimensions (l x h x w)	305 x 1500 x 305 mm	305 x 1500 x 305 mm
Weight (Stand only)	11.92 kg	12.23 kg
Material	Steel S 235 JR EN 10025	Steel S 235 JR EN 10025
Color	RAL 7035	RAL 7035

Available codes

Code	EAN	Description	Version
STW1100000S100	8033049749151	Single FIMER FLEXA Stand-Basic - only mechanical support: STW1100000S100	Single
STW2200000S100	8033049749168	Double FIMER FLEXA Stand-Basic - only mechanical support: STW2200000S100	Double



Remarks:

- **Designed and manufactured in Italy**
- **Features not specifically listed in the present data sheet are not included in the product**

For more information, please contact a FIMER representative or visit:

fimer.com

The company reserves the right to make technical changes or to modify the content of this document without prior notice. The agreed details concerning purchase orders apply. FIMER disclaims any responsibility for possible errors or lack of information herein.

The company reserves all rights to this document, the issues and the illustrations contained therein. Any reproduction, disclosure to third parties or use of the contents, in whole or in part, without prior written permission from FIMER, is prohibited. Copyright© 2022 FIMER. All rights reserved.

